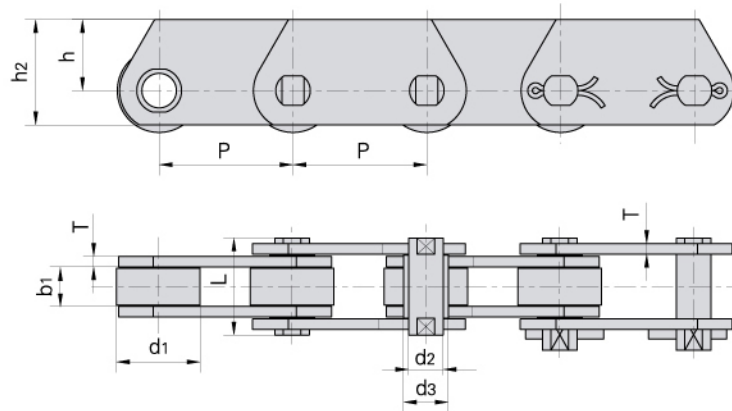


Conveyor chains (MT series) Förderketten (MT Serie)



DIN Chain No. DIN Ketten Nr.	Pitch Teilung					Roller diameter Rollen-durchmesser	Pin diameter Bolzen-durchmesser	Bush diameter Buchsen-durchmesser	Plate thickness Laschen-dicke
	40.0	50.0	63.0	80.0	100.0	d1 max	d2 max	d3 max	T max
						P mm			
MT20	40.0	50.0	63.0	80.0	100.0	25.0	6.0	9.0	2.5
MT28	50.0	63.0	80.0	100.0	125.0	30.0	7.0	10.0	3.0
MT40	63.0	80.0	100.0	125.0	160.0	36.0	8.5	12.5	3.5
MT56	63.0	80.0	100.0	125.0	160.0	42.0	10.0	15.0	4.0
MT80	80.0	100.0	125.0	160.0	200.0	50.0	12.0	18.0	5.0
MT112	80.0	100.0	125.0	160.0	200.0	60.0	15.0	21.0	6.0
MT160	100.0	125.0	160.0	200.0	250.0	70.0	18.0	25.0	7.0
MT224	125.0	160.0	200.0	250.0	315.0	85.0	21.0	30.0	8.0
MT315	160.0	200.0	250.0	315.0	400.0	100.0	25.0	36.0	10.0
MT450	200.0	250.0	315.0	400.0	500.0	120.0	30.0	42.0	12.0

DIN Chain No. DIN Ketten Nr.	Width between inner plates Innere Breite	Pin length Bolzenlänge	Plate depth Laschenhöhe		Ultimate tensile strength Min. Bruchkraft	
	b1 min	L max	h2 max	h max	Q min	*Q min
	mm	mm	mm	mm	kN/LB	kN/LB
MT20	16.0	35.0	25.0	16.0	20.0/4545	32.0/7270
MT28	18.0	40.0	30.0	20.0	28.0/6364	42.0/9545
MT40	20.0	45.0	35.0	22.5	40.0/9091	60.0/13635
MT56	24.0	52.0	45.0	30.0	56.0/12727	85.0/19318
MT80	28.0	62.0	50.0	32.5	80.0/18182	125.0/28408
MT112	32.0	73.0	60.0	40.0	112.0/25454	175.0/39768
MT160	37.0	85.0	70.0	45.0	160.0/36364	260.0/59090
MT224	43.0	98.0	90.0	60.0	224.0/50909	340.0/77272
MT315	48.0	112.0	100.0	65.0	315.0/71591	520.0/118180
MT450	56.0	135.0	120.0	80.0	450.0/102272	700.0/159089

*Q: Higher breaking load with hardened plates
*Q: höhere Bruchkraft durch gehärtete Laschen