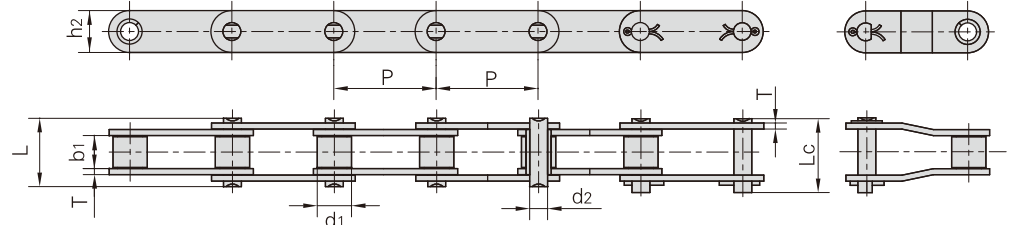
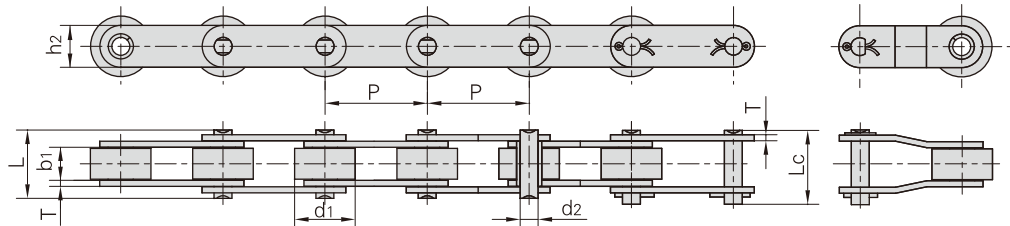


# Langgliedrige Förderketten

## Schonrollen-Typ



## Laufenrollen-Typ

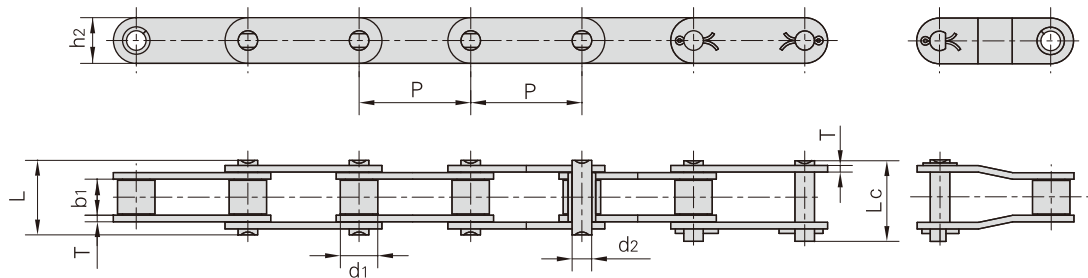


ISO Ketten Nr.	ANSI Ketten Nr.	Teilung	Rollen-durchmesser	Lichte Weite	Bolzen-durchmesser	Bolzenlänge		Innen-laschen-höhe	Laschen-dicke	Bruchkraft	Durchschnittliche Bruchkraft	Gewicht pro Meter
		P				L	Lc					
		mm	d1 max	b1 min	d2 max	L max	Lc max	mm	mm	kN/lbf	kN	kg/m
C208A	C2040	25.40	7.95	7.85	3.96	16.6	17.8	12.0	1.50	14.1/3205	16.7	0.50
C208AL	C2042		15.88									
C208AH	C2040H	25.40	7.95	7.85	3.96	18.8	19.9	12.0	2.03	14.1/3205	17.2	0.65
C208AHL	C2042H		15.88									
C208B		25.40	8.51	7.75	4.45	16.7	18.2	11.8	1.60	18.0/4091	19.4	0.55
C208BL			15.88									
C210A	C2050	31.75	10.16	9.40	5.08	20.7	22.2	15.0	2.03	22.2/5045	28.1	0.78
C210AL	C2052		19.05									
C210B		31.75	10.16	9.65	5.08	19.5	20.9	14.7	1.70	22.4/5036	24.6	0.75
C210BL			19.05									
C212A	C2060	38.10	11.91	12.57	5.94	25.9	27.7	18.0	2.42	31.8/7227	36.8	1.12
C212AL	C2062		22.23									
C212AH	C2060H	38.10	11.91	12.57	5.94	29.2	31.6	18.0	3.25	31.8/7227	41.6	1.44
C212AHL	C2062H		22.23									
C212B		38.10	12.07	11.68	5.72	22.5	24.2	16.0	1.85	29.0/6519	31.9	0.90
C212BL			22.23									
C216A	C2080	50.80	15.88	15.75	7.92	32.7	36.5	24.0	3.25	56.7/12886	65.7	2.08
C216AL	C2082		28.58									
C216AH	C2080H	50.80	15.88	15.75	7.92	36.2	39.4	24.0	4.00	56.7/12886	70.0	2.54
C216AHL	C2082H		28.58									
C216B		50.80	15.88	17.02	8.28	36.1	39.1	21.0	4.15/3.10	60.0/13489	66.0	2.14
C216BL			28.58									
C220A	C2100	63.50	19.05	18.90	9.53	40.4	44.7	30.0	4.00	88.5/20114	102.6	3.01
C220AL	C2102		39.67									
C220AH	C2100H	63.50	19.05	18.90	9.53	43.6	46.9	30.0	4.80	88.5/20114	112.4	3.56
C220AHL	C2102H		39.67									
C220B		63.50	19.05	19.56	10.19	41.3	45.0	26.4	4.50/3.50	95.0/21357	104.5	2.93
C220BL			39.67									
C224A	C2120	76.20	22.23	25.22	11.10	50.3	54.3	35.7	4.80	127.0/28864	147.3	4.66
C224AL	C2122		44.45									
C224AH	C2120H	76.20	22.23	25.22	11.10	53.5	57.5	35.7	5.60	127.0/28864	160.9	5.26
C224AHL	C2122H		44.45									
C224B		76.20	25.40	25.40	14.63	53.4	57.8	33.2	6.00/4.80	160.0/35969	176.0	5.17
C224BL			44.45									
C232A	C2160	101.60	28.58	31.75	14.27	64.8	69.6	47.8	6.40	226.8/51545	278.9	8.15
C232AL	C2162		57.15									
C232AH	C2160H	101.60	28.58	31.75	14.27	68.2	73.0	47.8	7.20	226.8/51545	285.8	9.06
C232AHL	C2162H		57.15									

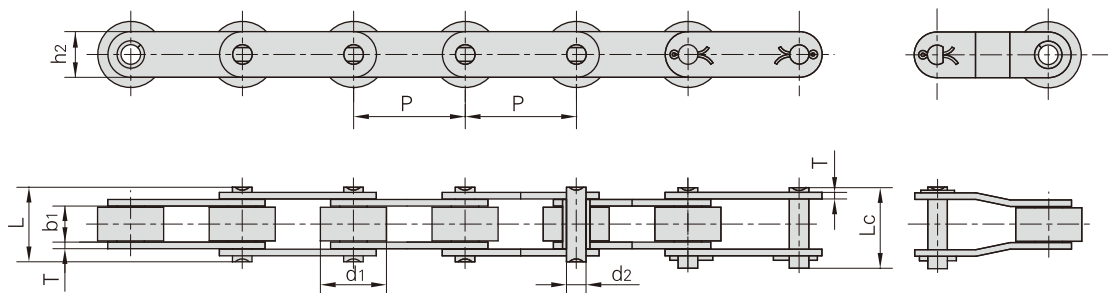
## Langgliedrige Förderketten

### Langglieder- Förderketten

#### Schonrollen-Typ



#### Laufenrollen-Typ

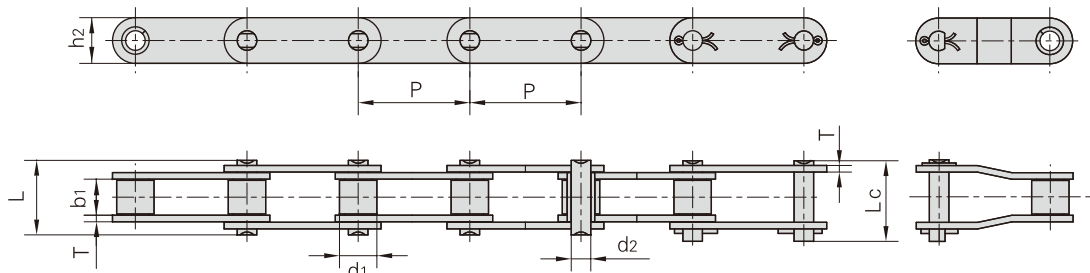


Donghua Ketten Nr.	Teilung	Rollen- durch- messer	Lichte Weite	Bolzen- durch- messer	Bolzenlänge		Innen- laschen- höhe	Laschen- dicke	Bruchkraft	Durch- schnittliche Bruchkraft	Gewicht pro Meter
	P mm	d1 max mm	b1 min mm	d2 max mm	L max mm	Lc max mm	h2 max mm	T max mm	Q min kN/lbf	Q0 kN	q kg/m
208AF17	25.40	7.95	4.00	3.96	12.75	15.00	12.00	1.50	13.80/3102	15.2	0.40
208AF18	25.40	7.95	5.10	3.96	13.76	16.00	12.00	1.50	13.80/3102	15.2	0.38
208BF45	25.40	8.51	47.64	4.45	57.00	58.50	11.80	1.60	17.80/4001	19.6	1.15
C208BF3	25.40	8.51	7.95	4.45	16.70	-	11.80	1.50	10.00/22480	11.5	0.61
C2050F12	31.75	10.16	9.52	5.08	20.20	21.70	15.00	2.03	18.53/4165	20.0	1.05
C2052F51	31.75	19.05	9.40	5.08	20.70	-	15.00	2.03	21.80/4901	24.0	0.81
2060F75	38.10	11.91	16.07	5.94	29.50	31.90	18.00	2.42	31.10/6991	34.2	1.11
212BHF1	38.10	12.07	11.68	5.94	25.20	28.00	40.80	2.42	31.80/7149	36.6	2.73
C2060F28	38.10	11.91	12.57	5.72	25.90	27.70	20.00	2.42	28.90/6496	32.4	1.40
C2060F75	38.10	11.91	16.07	5.94	29.50	31.90	18.00	2.42	31.10/6991	34.2	1.32
C2062F101	38.10	22.23	12.57	5.94	35.00	-	18.00	2.42	31.10/6991	34.2	1.98
C2062F95	38.10	22.23	12.70	5.94	25.80	29.30	18.00	2.42	24.00/5395	26.4	2.20
C212BF2	38.10	12.07	11.68	5.72	22.50	25.50	35.00	1.85	28.90/6496	33.3	1.88
C212BF9	38.10	12.07	11.68	5.72	22.50	25.20	20.00	1.85	28.90/6496	33.3	1.10

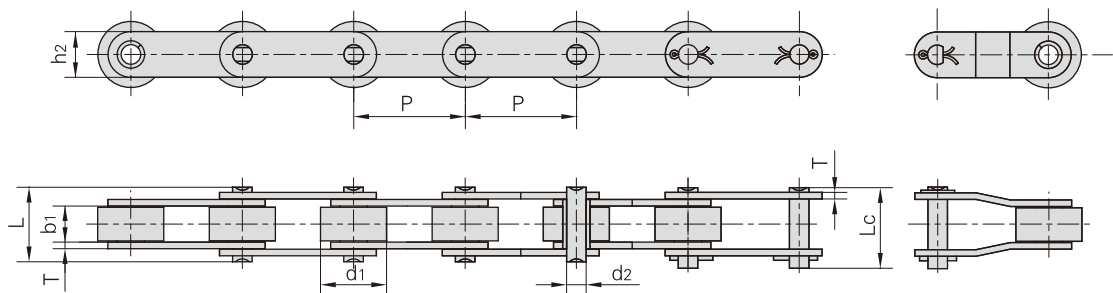
## Langgliedrige Förderketten

### Langglieder- Förderketten

#### Schonrollen-Typ



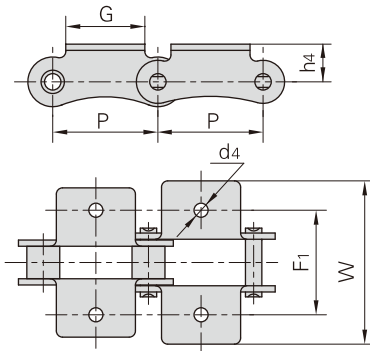
#### Laufenrollen-Typ



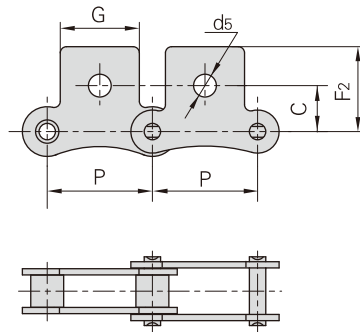
Donghua Ketten Nr.	Teilung	Rollen-durchmesser	Lichte Weite	Bolzen-durchmesser	Bolzenlänge		Innen-laschen-höhe	Laschen-dicke	Bruchkraft	Durchschnittliche Bruchkraft	Gewicht pro Meter
	P mm	d1 max mm	b1 min mm	d2 max mm	L max mm	Lc max mm	h2 max mm	T max mm	Q min kN/lbf	Q0 kN	q kg/m
2082HF83	50.80	28.58	15.75	7.92	36.20	38.90	29.00	4.00	56.7/12746	62.4	3.90
216BF4	50.80	15.88	17.90	8.28	36.10	39.10	21.00	3.70	60.0/13488	66.0	1.80
C2060H-50.8F1	50.80	11.91	12.57	5.94	29.20	31.00	17.20	3.25	31.1/6991	34.2	2.67
C2080HF1	50.80	15.88	15.75	7.92	36.20	39.40	23.00	4.00	55.6/12499	61.1	2.49
C2080HF51	50.80	18.00	32.00	7.92	54.00	57.50	24.00	4.00	55.6/12499	61.1	2.66
C2080HF87	50.80	18.00	32.00	7.92	52.80	56.00	24.00	4.00	55.6/12499	61.2	2.67
C2082HF94	50.80	25.40	15.75	7.92	36.20	39.40	23.00	4.00	60.0/13488	66.0	3.23
C216BF1	50.80	15.88	17.02	8.28	36.10	39.10	20.00	4.00/3.00	60.0/13488	66.0	2.01
220BF1	63.50	19.05	19.56	10.19	36.50	37.60	27.00	3.00	65.0/14612	74.7	1.81
220BF3	63.50	19.05	19.56	10.19	42.30	43.40	26.40	4.50/4.00	56.7/12746	62.4	2.68
C220AH-BF1	63.50	19.05	18.90	9.53	43.60	46.90	30.00	4.80	86.7/19490	95.5	3.74
C224AHF2	76.20	27.20	25.22	11.10	-	57.50	35.70	5.60	124.6/280112	139.5	5.78
C224AHLF5	76.20	43.00	25.22	11.10	53.50	-	35.70	5.60	124.6/280112	142.6	7.94
C232BF1	101.60	29.21	30.99	17.81	68.00	73.00	42.00	7.00	250.0/56200	275.0	7.85

## Sonder-Anbauteile für langgliedrige Förderketten

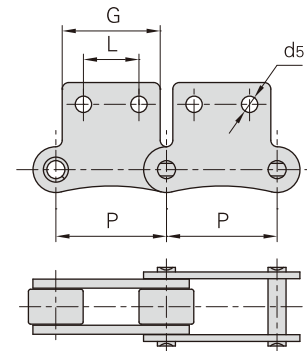
K1



SK1



SK2

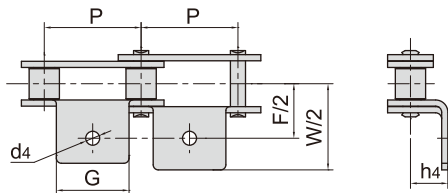


DIN/ISO Ketten Nr.	ANSI Ketten Nr.	P	G	F <sub>1</sub>	W	h <sub>4</sub>	d <sub>4</sub>	C	F <sub>2</sub>	d <sub>5</sub>
		mm	mm	mm	mm	mm	mm	mm	mm	mm
208A	2040	25.40	19.1	25.4	39.6	9.1	3.4	11.1	20.5	5.5
210A	2050	31.75	23.8	31.8	49.0	11.1	5.5	14.3	25.0	6.6
212A	2060	38.10	28.6	42.9	67.8	14.7	5.5	17.5	32.9	9.2
216A	2080	50.80	38.1	55.6	87.8	19.1	6.8	22.2	43.5	11.0
220A	2100	63.50	47.6	66.6	107.5	23.4	9.2	28.6	50.4	13.0
224A	2120	76.20	57.2	79.3	121.4	27.8	10.5	33.3	55.5	15.0
208B		25.40	23.2	25.4	39.6	9.1	4.5	11.1	20.5	5.5
210B		31.75	23.8	31.8	49.0	11.1	5.5			
212B		38.10	35.0	38.1	57.0	14.7	6.6			
216B		50.80	44.0	50.8	84.0	19.1	6.6			
220B		63.50	52.0	63.5	104.0	23.4	8.4			
224B		76.20	60.0	76.2	120.0	27.8	10.5			

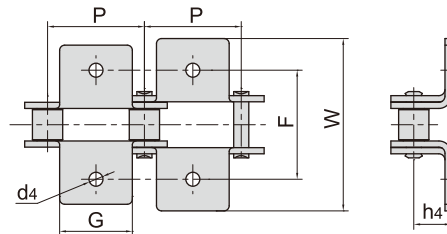
Donghua Ketten Nr.	P	G	L	F <sub>1</sub>	W	h <sub>4</sub>	d <sub>4</sub>	C	F <sub>2</sub>	d <sub>5</sub>
	mm	mm	mm	mm	mm	mm	mm	mm	mm	mm
208BA1F4	25.40	23.80	-	26.20	39.40	10.00	4.30	-	-	-
2060HK1F26	38.10	28.60	-	42.90	67.80	14.70	8.50	-	-	-
212BK2F2	38.10	36.20	-	34.90	55.50	13.00	6.20	-	-	-
212BA0F1	38.10	50.80	-	-	72.80	14.70	-	-	-	-
216BSA2F1	50.80	45.00	25.50	-	-	-	-	30.00	40.00	7.50

## Sonder-Anbauteile für langgliedrige Förderketten

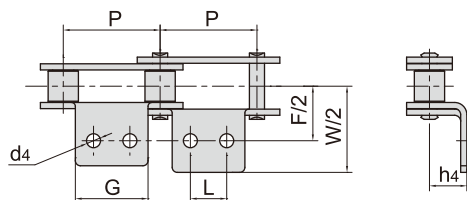
A1



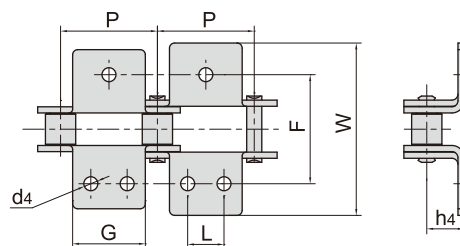
K1



A2



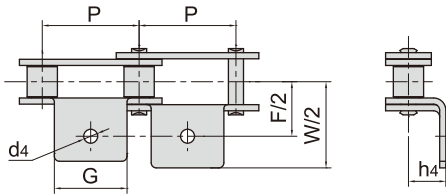
K2



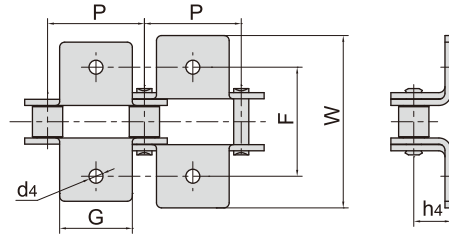
DIN/ISO Ketten Nr.	ANSI Ketten Nr.	P	G	L	F	W	h <sub>4</sub>	d <sub>4</sub>
		mm	mm	mm	mm	mm	mm	mm
C208A	C2040	25.40	19.1	9.5	25.4	39.6	9.1	3.4
C208AL	C2042		23.2	12.7	25.4	39.6	9.1	4.5
C210A	C2050	31.75	23.8	11.9	31.8	49.0	11.1	5.5
C210AL	C2052		28.6	14.3	42.9	67.8	14.7	5.5
C212A	C2060	38.10	28.6	14.3	42.9	67.8	14.7	5.5
C212AL	C2062		28.6	14.3	42.9	67.8	14.7	5.5
C212AH	C2060H	38.10	28.6	14.3	42.9	67.8	14.7	5.5
C212AHL	C2062H		38.1	19.1	55.6	87.8	19.1	6.8
C216A	C2080	50.80	38.1	19.1	55.6	87.8	19.1	6.8
C216AL	C2082		38.1	19.1	55.6	87.8	19.1	6.8
C216AH	C2080H	50.80	38.1	19.1	55.6	87.8	19.1	6.8
C216AHL	C2082H		63.50	47.6	23.8	66.6	107.5	23.4
C220A	C2100	63.50	47.6	23.8	66.6	107.5	23.4	9.2
C220AL	C2102		47.6	23.8	66.6	107.5	23.4	9.2
C220AH	C2100H	63.50	47.6	23.8	66.6	107.5	23.4	9.2
C220AHL	C2102H		76.20	57.2	28.6	79.3	121.4	27.8
C224A	C2120	76.20	57.2	28.6	79.3	121.4	27.8	11.0
C224AL	C2122		57.2	28.6	79.3	121.4	27.8	11.0
C224AH	C2120H	76.20	57.2	28.6	79.3	121.4	27.8	11.0
C224AHL	C2122H		101.60	76.2	38.1	104.7	151.6	36.5
C232A	C2160	101.60	76.2	38.1	104.7	151.6	36.5	13.1
C232AL	C2162		76.2	38.1	104.7	151.6	36.5	13.1
C232AH	C2160H	101.60	76.2	38.1	104.7	151.6	36.5	13.1
C232AHL	C2162H							

## Sonder-Anbauteile für langgliedrige Förderketten

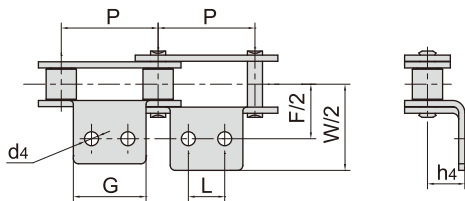
A1



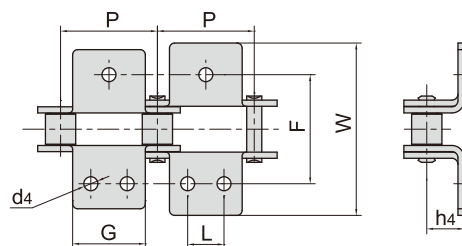
K1



A2



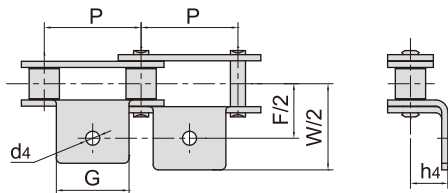
K2



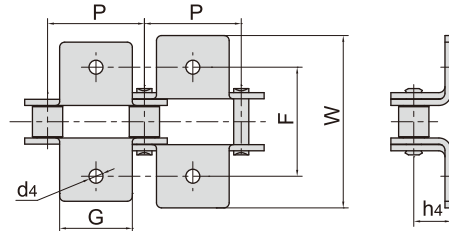
Donghua Ketten Nr.	P	G	L	F	W	h4	d4
	mm	mm	mm	mm	mm	mm	mm
C2040A1F3	25.40	19.00	–	25.4	38.20	19.80	5.30
C2040A1F4	25.40	19.10	–	25.4	36.20	9.10	5.00
C2040A2F1	25.40	19.00	9.00	25.4	38.40	9.00	5.20
C2040A2F18	25.40	19.10	9.50	25.4	39.60	9.10	M4
C2040K1F6	25.40	19.10	–	25.4	39.60	9.10	M5
C2040K1F8	25.40	19.00	–	25.4	39.60	9.10	6.50
C2042A1F4	25.40	19.00	–	25.4	39.60	9.10	5.00
C2042F1	25.40	19.00	–	25.4	40.00	9.00	5.20
C2042HK1F1	25.40	19.00	–	47.0	60.00	9.10	7.00
C2042K2F4	25.40	20.00	12.00	26.4	35.40	9.00	M4
C208AF1	25.40	19.00	–	25.7	38.30	8.80	4.10
C208BA1F8	25.40	14.80	–	25.6	37.80	9.80	5.50
C208BA2F2	25.40	23.20	12.70	25.4	39.60	9.10	M5
C208BA2F3	25.40	23.20	9.50	25.4	39.70	9.10	4.50
C208BHK1F7	25.40	23.20	–	25.4	39.60	9.10	6.50
C208BK1F11	25.40	23.20	–	25.4	39.60	9.10	6.50
C2050A1F6	31.75	23.80	–	31.8	49.00	11.40	6.30
C2052A2F1	31.75	19.00	11.90	31.8	49.00	11.10	6.00
C2052A2F2	31.75	19.00	15.88	31.8	49.00	11.10	5.50
C2052A2F3	31.75	25.80	12.70	31.8	49.20	11.10	4.80
C2052K1F10	31.75	25.00	–	32.5	57.00	11.10	5.50
C2060A1F38	38.10	28.60	–	42.9	67.80	14.70	5.50
C2060A2F26	38.10	30.00	18.00	38.0	50.00	14.70	5.50
C2060A2F27	38.10	30.00	18.00	44.0	62.00	14.70	5.50
C2060A2F93	38.10	50.00	30.00	44.0	63.00	30.00	9.00
C2060HA1F12	38.10	28.00	–	43.4	61.80	13.90	6.60

## Sonder-Anbauteile für langgliedrige Förderketten

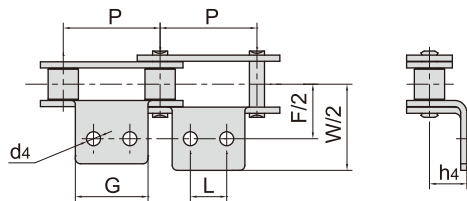
A1



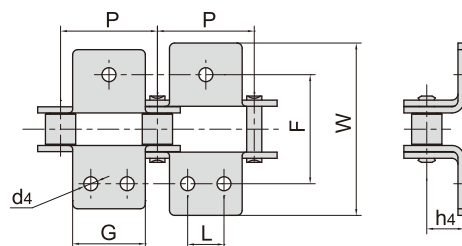
K1



A2



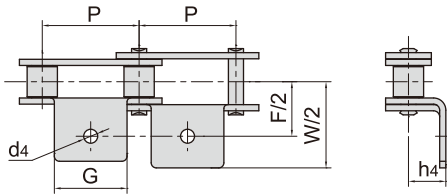
K2



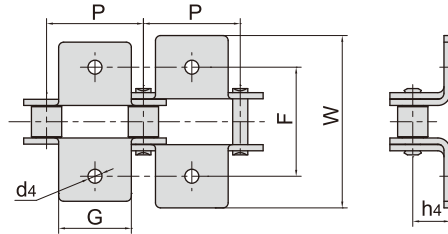
Donghua Ketten Nr.	P	G	L	F	W	h4	d4
	mm	mm	mm	mm	mm	mm	mm
C2060HA2F26	38.10	46.00	32.00	42.0	56.00	15.70	5.50
C2060HF3A2	38.10	28.60	14.30	42.9	67.80	14.70	5.20
C2060HK1F	38.10	28.60	–	42.9	67.80	14.70	8.00
C2060HK1F22	38.10	28.60	–	42.9	67.80	14.70	8.50
C2060HK1F26	38.10	28.60	–	42.9	67.80	14.70	9.20
C2060HK1F33	38.10	28.60	–	42.9	67.80	14.70	8.90
C2060HK2F3	38.10	28.60	14.30	42.9	64.80	14.70	5.00
C2060HK2F94	38.10	28.00	14.30	42.8	60.40	14.70	5.60
C2060K1F1	38.10	28.60	–	42.9	68.00	14.70	8.50
C2060K1F3	38.10	76.20	–	104.7	151.60	36.50	13.10
C2060K1F32	38.10	29.00	–	43.5	63.50	14.85	8.50
C2062A1F13	38.10	30.00	–	70.2	98.00	14.70	8.50
C2062A1F36	38.10	28.60	–	42.9	67.80	12.50	6.80
C2062A2F22	38.10	28.60	14.30	42.9	57.40	14.70	5.50
C2062A2F24	38.10	28.60	14.30	42.9	67.80	14.70	4.76
C2062A2F6	38.10	28.60	14.30	42.9	67.80	14.70	6.00
C2062HA1F25	38.10	28.00	–	59.0	75.00	9.00	6.00
C2062HA1F4	38.10	20.00	–	45.8	65.80	9.00	6.80
C2062HA1F7	38.10	28.60	–	42.9	67.80	14.70	5.20
C2062HA2F18	38.10	28.60	14.30	42.2	57.00	14.70	5.50
C2062HA2F7	38.10	28.60	14.30	42.9	67.80	14.70	6.50
C2062HF15	38.10	28.60	14.30	42.9	67.80	14.70	M5
C2062HK1F5	38.10	28.60	–	42.9	67.80	14.70	7.90
C2062HK2F4	38.10	28.60	14.30	42.9	56.40	14.70	5.20
C2062HK2F5	38.10	28.60	14.30	55.6	76.00	11.10	5.50
C2062K2F7	38.10	28.60	14.30	42.9	67.80	14.70	6.50
C2080A1F78	50.80	38.10	–	55.6	87.80	19.10	6.50

## Sonder-Anbauteile für langgliedrige Förderketten

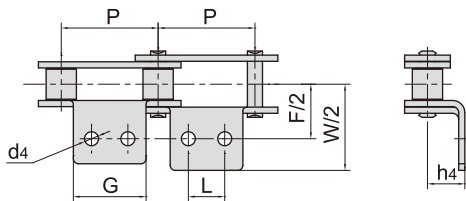
A1



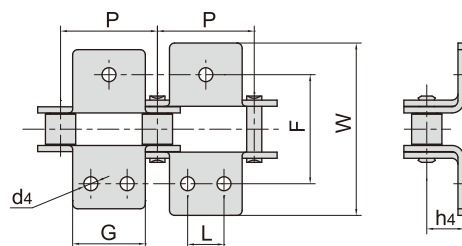
K1



A2



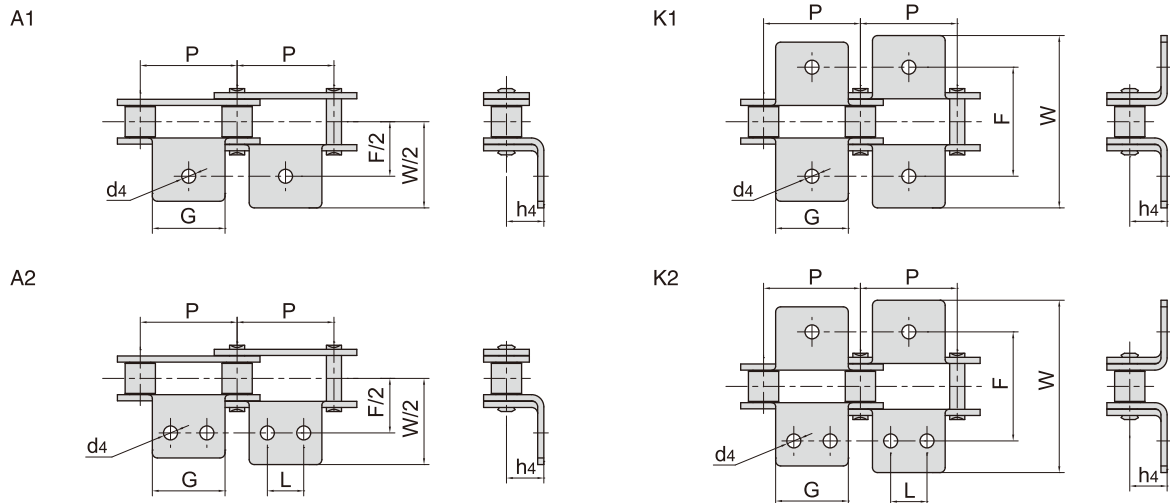
K2



Donghua Ketten Nr.	P	G	L	F	W	h4	d4
	mm	mm	mm	mm	mm	mm	mm
C2080A2F78	50.80	64.00	40.00	68.0	88.00	30.00	9.00
C2080HA2F12	50.80	38.10	19.10	55.6	73.00	19.10	8.10
C2080HF	50.80	38.10	19.10	55.6	75.20	17.80	10.00
C2080HK1F13	50.80	38.10	–	55.6	80.00	19.10	9.00
C2080HK1F24	50.80	38.10	–	55.6	87.80	19.10	11.11 × 7.94
C2080HK1F8	50.80	38.10	–	55.6	87.80	19.10	9.00
C2082A1F22	50.80	38.10	–	49.6	76.20	16.00	10.50
C2082A1F79	50.80	39.00	–	59.0	78.50	23.00	7.00
C2082A2F1	50.80	39.00	19.00	58.0	82.00	21.50	7.00
C2082A2F2	50.80	39.00	19.00	58.0	82.00	21.50	10.00
C2082A2F23	50.80	65.00	44.00	62.0	86.00	19.40	7.00
C2082A2F26	50.80	40.00	18.00	62.0	86.00	19.10	7.00
C2082A2F27	50.80	38.10	19.10	55.6	87.80	19.10	8.20
C2082F64K2	50.80	34.90	20.00	54.0	79.00	16.00	M6
C2082F88K1	50.80	35.00	–	60.0	79.00	16.50	8.00
C2082HA1F17	50.80	38.10	–	55.6	87.80	19.10	9.50
C2082HA1F21	50.80	38.10	–	55.6	88.30	19.10	10.20
C2082HA1F6	50.80	38.10	–	55.6	77.80	19.10	10.00
C2082HA1F76	50.80	38.10	–	55.6	87.80	19.10	8.50
C2082HA1F78	50.80	38.10	–	55.6	87.80	19.10	M8
C2082HA2F22	50.80	60.00	40.00	62.6	82.60	39.50	9.00
C2082HA2F6	50.80	38.10	19.10	55.6	87.80	19.10	8.00
C2082HA2F77	50.80	38.10	19.10	55.6	87.80	19.10	8.50
C2082HHA1F4	50.80	38.10	–	55.6	87.80	19.10	9.50
C2082HHA1F5	50.80	38.10	–	55.6	87.80	19.10	10.50

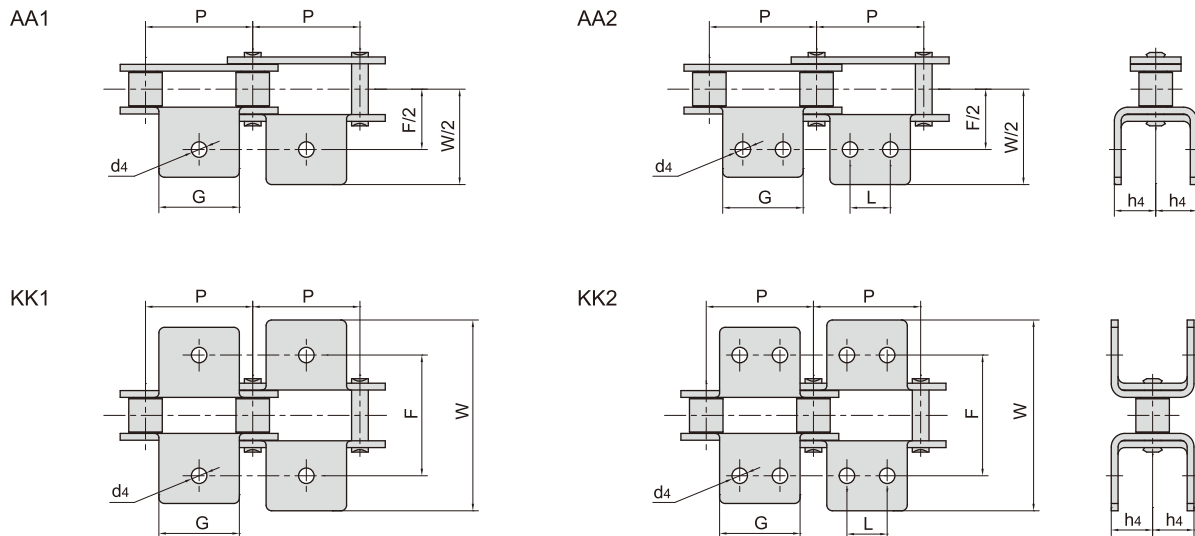


## Sonder-Anbauteile für langgliedrige Förderketten



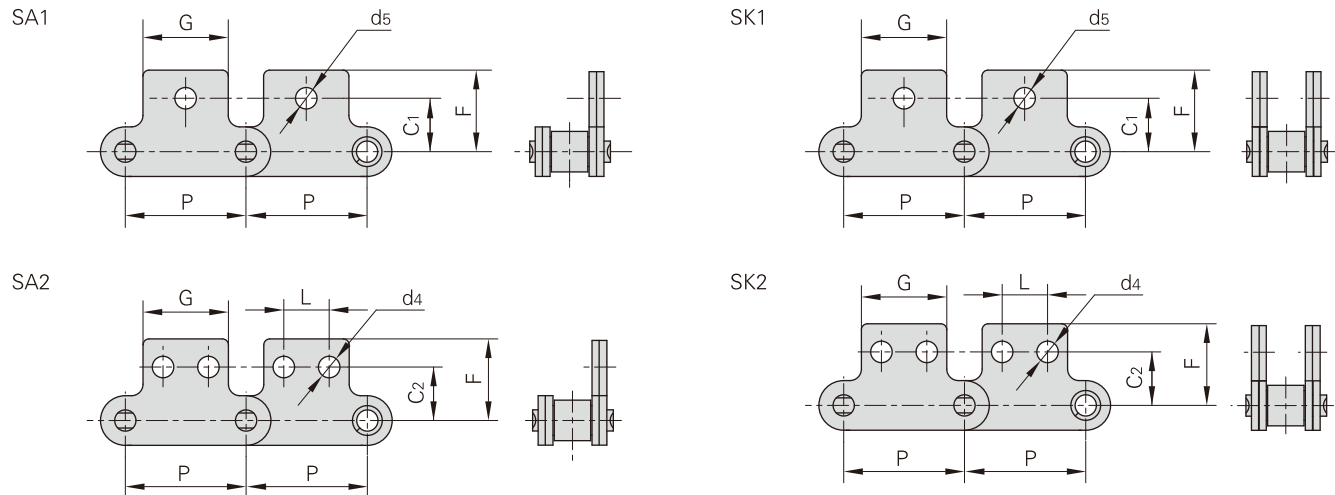
Donghua Ketten Nr.	P	G	L	F	W	h4	d4
	mm	mm	mm	mm	mm	mm	mm
C2082HK1F23	50.80	38.10	–	55.6	87.80	19.10	8.00
C2082HK1F5	50.80	38.10	–	55.6	79.60	19.10	8.00
C2082HK1F7	50.80	38.10	–	55.6	79.60	19.10	6.50
C2082HK1F79	50.80	50.80	–	55.6	87.80	19.10	6.80
C2082HK1F80	50.80	38.10	–	55.6	87.80	19.10	6.00
C2082HK1F81	50.80	38.10	–	55.6	87.80	19.10	8.20
C2082HK1F9	50.80	38.10	–	55.6	81.50	19.10	M8
C2082K2F5	50.80	38.10	19.10	120.0	140.00	19.10	6.80
C216BA2F9	50.80	42.00	25.40	50.8	70.80	18.00	6.20
C2100HK1F1	63.50	47.60	–	66.0	92.00	25.00	12.50
C2102HA1F16	63.50	47.60	–	66.6	107.50	23.40	11.20
C2102HA1F3	63.50	47.60	–	66.0	96.60	23.40	12.40
C2102HA1F4	63.50	47.60	–	66.6	107.50	23.40	10.00
C2102HA2F3	63.50	47.60	23.80	66.6	99.80	23.40	3/8"
C2102HA2F4	63.50	47.60	23.80	66.6	107.50	23.40	10.00
C220AHA2F2	63.50	47.60	23.80	66.6	107.50	23.40	9.20
C220AHK1F1	63.50	47.60	–	66.0	92.00	25.00	12.50
C220ALA1F11	63.50	47.60	–	66.6	107.40	23.40	9.20
C220ALA1F5	63.50	47.60	–	76.6	107.50	23.40	11.00
C220ALA1F8	63.50	47.60	–	66.6	107.40	23.40	8.70
C220ALA1F9	63.50	47.60	–	68.6	109.60	23.40	M8
C220ALA2F5	63.50	52.00	31.00	66.6	107.40	23.40	9.20
C2122HA1F3	76.20	57.20	–	79.3	121.58	27.80	14.00
C224AHA2F9	76.20	72.00	40.00	79.3	121.40	27.80	13.00
C224AHK2F2	76.20	72.00	40.00	79.3	121.40	27.80	13.00
C2162A2F1	101.60	76.20	38.10	104.7	151.50	36.50	18.00
C2162HA2F2	101.60	36.50	38.10	104.7	151.60	36.50	18.00
C2162HA2F3	101.60	76.20	38.10	120.0	167.00	36.50	13.10
C2162HF1A2	101.60	76.20	38.10	104.6	151.60	36.50	13.10
C2162HK1-M8	101.60	76.20	–	110.0	149.60	37.50	M8

## Sonder-Anbauteile für langgliedrige Förderketten



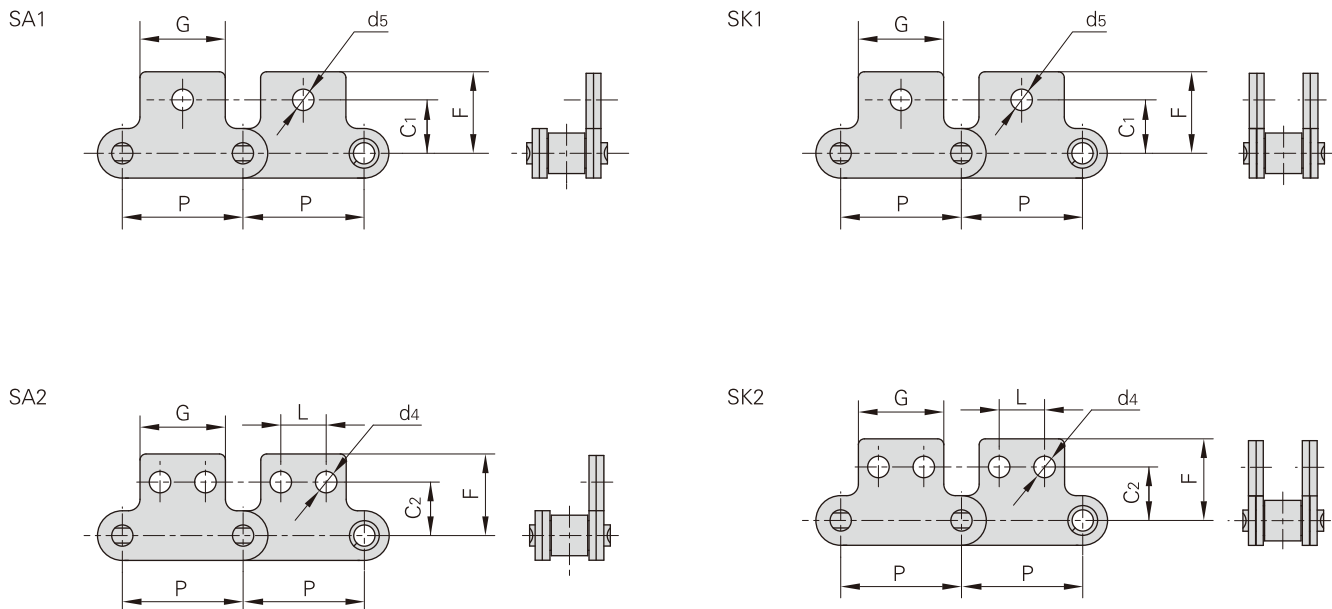
Donghua Ketten Nr.	ANSI Ketten Nr.	P	G	L	F	W	h4	d4
		mm	mm	mm	mm	mm	mm	mm
C208A C208AL	C2040 C2042	25.40	19.1	9.5	25.4	39.6	9.10	3.4
C208B C208BL		25.40	23.2	12.7	25.4	39.6	9.10	4.5
C210A C210AL	C2050 C2052	31.75	23.8	11.9	31.8	49.0	11.10	5.5
C212A C212AL	C2060 C2062	38.10	28.6	14.3	42.9	67.8	14.70	5.5
C212AH C212AHL	C2060H C2062H	38.10	28.6	14.3	42.9	67.8	14.70	5.5
C216A C216AL	C2080 C2082	50.80	38.1	19.1	55.6	87.8	19.10	6.8
C216AH C216AHL	C2080H C2082H	50.80	38.1	19.1	55.6	87.8	19.10	6.8
100HAA1F1		31.75	35.0	-	71.2	93.4	35.75	8.0
A2050AA1F1		31.75	20.0	-	47.0	66.0	35.50	8.1
2060AA2F1		38.10	38.1	19.0	37.5	57.5	14.80	6.5
C2062AA1F1		38.10	14.0	-	33.4	52.0	9.00	6.4
C2080K1F4		50.80	38.1	-	80.0	112.0	15.30	8.5
C2082HAA1F1		50.80	25.0	-	78.8	128.8	17.50	8.0
C2082HAA1F2		50.80	25.0	-	77.8	127.8	17.50	12.0
C2100HF6AA1		63.50	47.8	-	68.0	100.0	23.40	10.0
C2120AA1F1		76.20	31.8	-	88.7	115.6	35.00	10.5
C2122HAA1		76.20	57.2	-	79.3	121.4	27.80	11.0

## Sonder-Anbauteile für langgliedrige Förderketten



Donghua Ketten Nr.	ANSI Ketten Nr.	P	G	L	C <sub>1</sub>	C <sub>2</sub>	F	d <sub>4</sub>	d <sub>5</sub>
		mm	mm	mm	mm	mm	mm	mm	mm
C208A	C2040	25.40	19.10	9.50	11.1	13.50	20.5	3.4	5.50
C208AL	C2042								
C208B		25.40	23.20	12.70	11.1	13.50	20.5	4.5	5.50
C208BL									
C210A	C2050	31.75	23.80	11.90	14.3	15.90	25.0	5.5	6.60
C210AL	C2052								
C212A	C2060	38.10	28.60	14.30	17.5	19.10	32.9	5.5	9.20
C212AL	C2062								
C212AH	C2060H	38.10	28.60	14.30	17.5	19.10	32.9	5.5	9.20
C212AHL	C2062H								
C216A	C2080	50.80	38.10	19.10	22.2	25.40	43.5	6.6	11.00
C216AL	C2082								
C216AH	C2080H	50.80	38.10	19.10	22.2	25.40	43.5	6.6	11.00
C216AHL	C2082H								
C220A	C2100	63.50	47.60	23.80	28.6	31.80	50.4	8.4	13.00
C220AL	C2102								
C220AH	C2100H	63.50	47.60	23.80	28.6	31.80	50.4	8.4	13.00
C220AHL	C2102H								
C2042HWSA2		25.40	37.30	9.50	-	13.50	20.5	3.4	-
C2050HWSA2F1		31.75	46.75	31.75	-	15.90	25.0	5.5	-
C2060SA2F1		38.10	28.60	14.30	-	19.10	26.1	5.5	-
C2062HSK2F1		38.10	28.60	14.30	-	19.10	23.8	5.2	-
C2060HSK1F1		38.10	28.60	-	17.3	-	30.0	-	11.80
C216AH2F		50.80	38.10	19.10	-	25.40	43.5	6.5	-
C2082F58SA1		50.80	38.50	-	27.0	-	39.5	-	8.10
C2100HSA1		63.50	47.60	-	28.6	-	50.4	-	13.00
C224ALSK2F1		76.20	57.20	28.60	-	37.30	59.9	-	11.00
C2122HSA1F1		76.20	57.20	-	37.3	-	59.9	-	14.30
C224AHLSA2F1		76.20	57.20	28.60	-	37.30	59.9	-	9.53
208BSK1F2		25.40	14.00	-	17.7	-	21.3	-	3.20
208BSK1F3		25.40	13.00	-	14.7	-	26.7	-	3.10
208BSK1F4		25.40	24.20	-	14.3	-	20.5	-	4.20

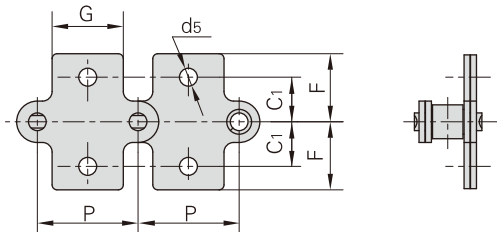
## Sonder-Anbauteile für langgliedrige Förderketten



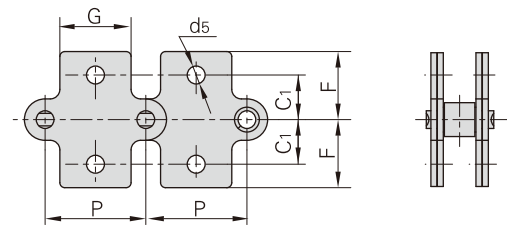
Donghua Ketten Nr.	P	G	L	C <sub>1</sub>	C <sub>2</sub>	F	d <sub>4</sub>	d <sub>5</sub>
	mm	mm	mm	mm	mm	mm	mm	mm
C2040F23SK0	25.40	19.10	–	–	–	25.70	–	–
C208BSK2F2	25.40	23.20	12.70	–	13.02	20.17	4.50	–
C208BSA2F2	25.40	31.80	22.00	–	18.30	22.80	4.50	–
C2050SK1F2	31.75	24.80	–	17.00	–	36.00	–	15.00
C2050SA0F6	31.75	46.75	–	–	–	15.50	–	–
C210BSA2F3	31.75	30.00	18.00	–	21.00	28.00	5.50	–
C2060HSF6SK2	38.10	28.60	14.30	–	19.10	32.90	6.50	–
C2062HSA1F2	38.10	28.60	–	17.50	–	30.50	–	8.30
C2060SK0F4	38.10	20.00	–	–	–	49.00	–	–
C2082SA1F2	50.80	38.10	–	27.70	–	39.70	–	8.20
C2080HF91	50.80	38.10	–	–	–	43.50	–	–
C220AHS2F1	63.50	47.60	23.80	–	31.80	50.40	8.70	–
C224ALSK2F2	76.20	57.20	28.60	–	37.50	52.50	12.50	–
C224AHSK1F2	76.20	57.20	–	43.80	–	59.02	–	17.60
C224AHLA2F2	76.20	57.00	28.60	–	37.30	58.90	11.00	–
C2160HSK0F1	101.60	40.00	–	–	–	17.50	–	–

## Sonder-Anbauteile für langgliedrige Förderketten

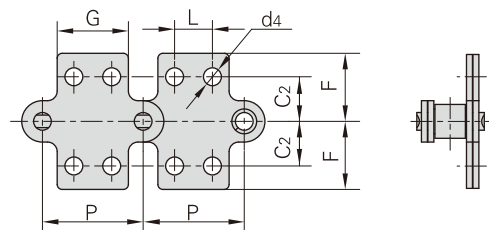
SAA1



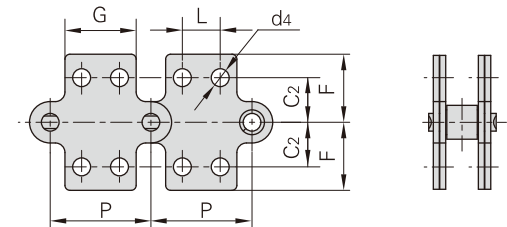
SKK1



SAA2

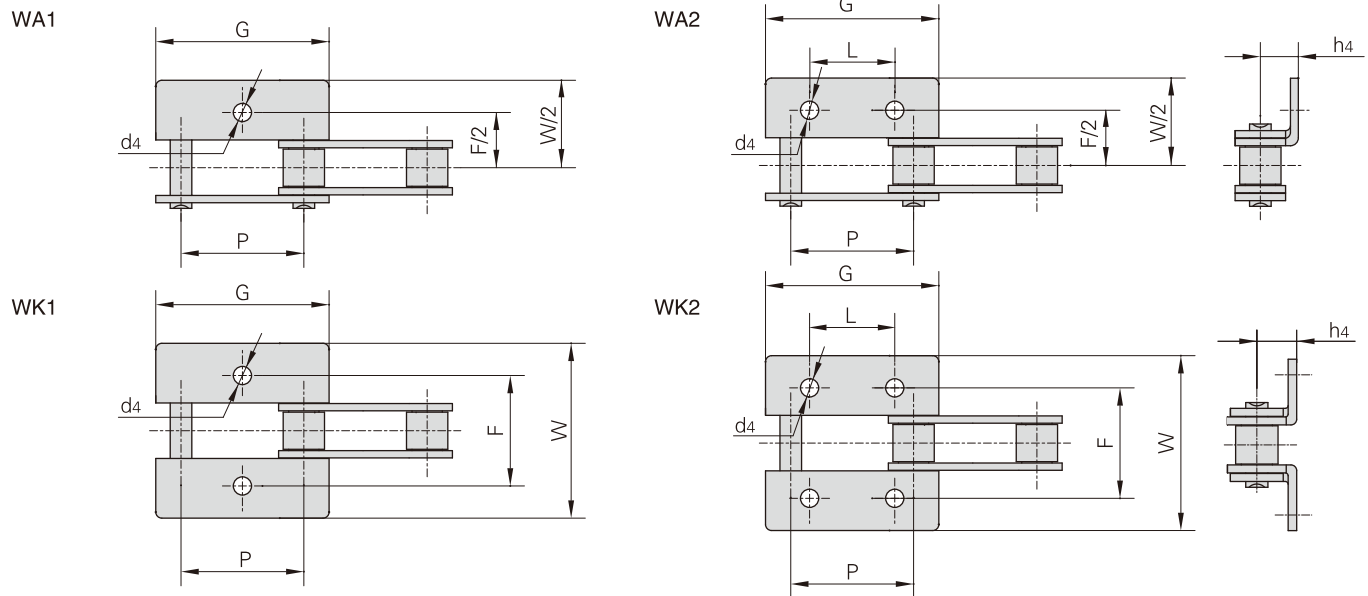


SKK2



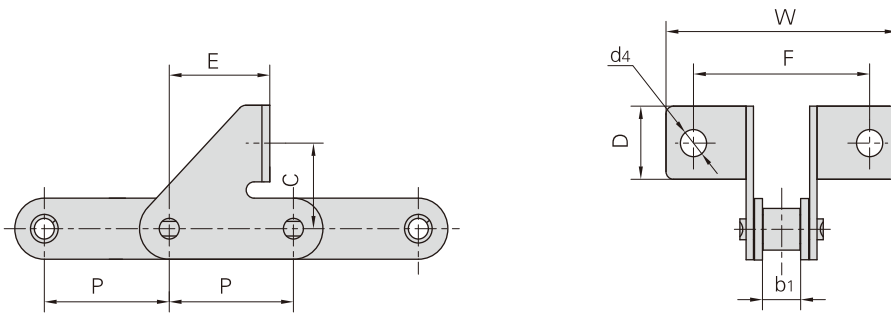
Donghua Ketten Nr.	ANSI Ketten Nr.	P	G	L	C <sub>1</sub>	C <sub>2</sub>	F	d <sub>4</sub>	d <sub>5</sub>
		mm	mm	mm	mm	mm	mm	mm	mm
C208A C208AL	C2040 C2042	25.40	19.1	9.5	11.10	13.5	20.50	3.4	5.5
C208B C208BL		25.40	23.2	12.7	11.10	13.5	20.50	4.5	5.5
C210A C210AL	C2050 C2052	31.75	23.8	11.9	14.30	15.9	25.00	5.5	6.6
C212A C212AL	C2060 C2062	38.10	28.6	14.3	17.50	19.1	32.90	5.5	9.2
C212AH C212AHL	C2060H C2062H	38.10	28.6	14.3	17.50	19.1	32.90	5.5	9.2
C216A C216AL	C2080 C2082	50.80	38.1	19.1	22.20	25.4	43.50	6.6	11.0
C216AH C216AHL	C2080H C2082H	50.80	38.1	19.1	22.20	25.4	43.50	6.6	11.0
C2040F23SAA1		25.40	19.1	-	11.15	-	19.75	-	5.4
C2060HSAA1F1		38.10	24.0	-	25.40	-	43.50	11.0	-
C2120SAA2F1		76.20	45.0	30.0	-	28.0	35.00	6.5	10.5

## Sonder-Anbauteile für langgliedrige Förderketten



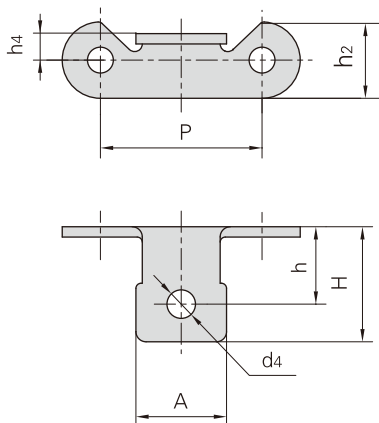
Donghua Ketten Nr.	P	G	L	F	W	h4	d4
	mm	mm	mm	mm	mm	mm	mm
C2040HWK1F2	25.40	37.00	-	62.00	110.00	10.65	7.00
C2040K1F2	25.40	37.00	-	62.00	110.00	9.10	7.00
C2042HF1	25.40	37.40	-	42.50	65.50	6.00	7.00
C208BK2F	25.40	37.20	12.70	28.00	42.00	8.50	5.50
C208BWA2F1	25.40	37.20	25.40	28.00	42.00	8.50	5.50
C2052WA1F2	31.75	46.80	-	76.20	95.20	7.50	7.10
C2052WA2F4	31.75	46.75	30.00	48.52	65.52	15.00	6.50
212BWK2F1	38.10	54.10	19.00	35.20	54.80	12.20	6.40
212BWK2F2	38.10	54.10	19.00	35.00	54.80	12.70	7.00
C2060HWK2F7	38.10	56.00	32.00	42.90	72.00	14.70	5.50
C2060WA2	38.10	56.10	38.10	42.90	58.50	14.70	5.50
C2062HWA1F4	38.10	55.60	-	76.20	95.30	8.70	7.10
C2062HWA1F5	38.10	56.00	-	76.00	95.00	9.00	7.30
C2062HWA2	38.10	56.10	14.30	42.90	67.80	14.70	5.50
C2062HWA2F4	38.10	55.60	38.10	76.20	95.30	8.70	7.10
C2062HWA2F7	38.10	63.50	38.10	76.20	96.00	17.50	6.35
C2062WA2F1	38.10	56.10	38.10	42.90	67.80	14.70	6.50
C2062WK2F2	38.10	56.10	38.10	43.00	68.00	14.70	7.80
216BWA2F1	50.80	71.80	25.40	58.00	80.00	17.00	8.40
C2080HWK1F1	50.80	74.80	-	55.60	87.80	19.10	10.50
C2080HWK2	50.80	74.80	50.80	55.60	87.80	19.10	6.80
C2082F12	50.80	74.80	50.80	55.60	88.00	19.10	8.40
C2082F24	50.80	74.80	56.80	55.60	87.80	19.10	6.80
C2082HF1A2	50.80	74.80	30.00	60.00	84.00	18.00	8.50
C2082HWA1F1	50.80	76.20	-	57.20	82.60	35.60	12.70
C2082WA2F4	50.80	74.80	50.80	55.60	88.00	14.00	7.00
C216ALF5	50.80	74.80	44.30	62.20	88.00	19.10	7.00
C2100HWA2	63.50	93.50	63.50	66.60	107.40	23.40	8.40
C2102HK2-M8	63.50	47.60	23.80	66.60	107.50	23.40	M8
C220ALWA2F1	63.50	93.50	50.00	97.80	127.80	15.00	13.00 × 9.00
C224AHWK2	76.20	111.90	76.20	79.30	121.40	27.80	11.00

## Sonder-Anbauteile für langgliedrige Förderketten

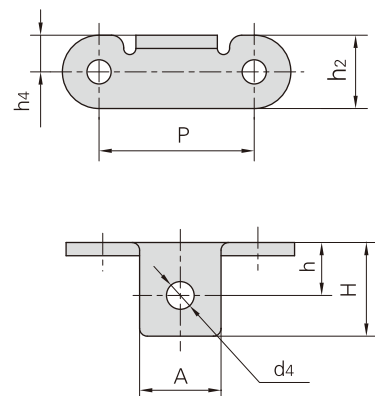


Donghua Ketten Nr.	P	b <sub>1</sub>	F	W	C	D	E	d <sub>4</sub>
	mm	mm	mm	mm	mm	mm	mm	mm
C2050SD	31.75	9.40	45.0	59.0	21.2	18.0	25.7	6.6
C2062H ORSDF1	38.10	12.57	52.0	67.0	30.0	22.5	31.4	6.3

C2052A1F1



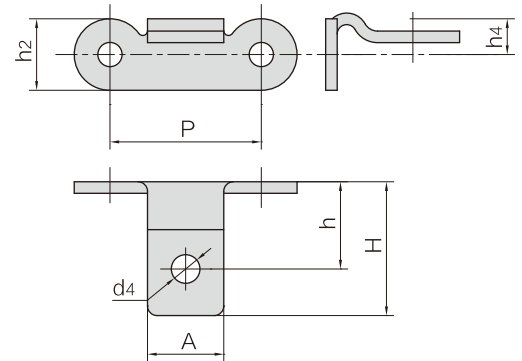
C2062HA1F4



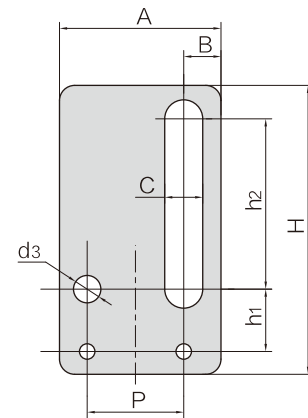
Donghua Ketten Nr.	P	A	h	H	h <sub>2</sub>	h <sub>4</sub>	d <sub>4</sub>
	mm	mm	mm	mm	mm	mm	mm
C2052A1F1	31.75	17.8	14.7	22.6	15.0	5.2	6.5
C2062HA1F4	38.10	20.0	13.0	23.0	18.0	9.0	6.8

## Sonder-Anbauteile für langgliedrige Förderketten

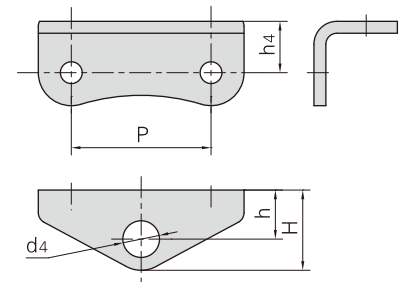
Donghua Ketten Nr.	P	A	h	H	h <sub>2</sub>	h <sub>4</sub>	d <sub>4</sub>
	mm	mm	mm	mm	mm	mm	mm
C2052HF6	31.75	16.00	18.30	28.20	15.00	4.92	6.00



Donghua Ketten Nr.	P	h <sub>1</sub>	h <sub>2</sub>	H	A	B	C	d <sub>3</sub>
	mm	mm	mm	mm	mm	mm	mm	mm
C2050F71	31.75	20.50	56.00	95.00	53.10	12.25	12.50	9.00
C224AF13	76.20	49.00	131.40	216.00	120.00	21.90	17.00	13.00

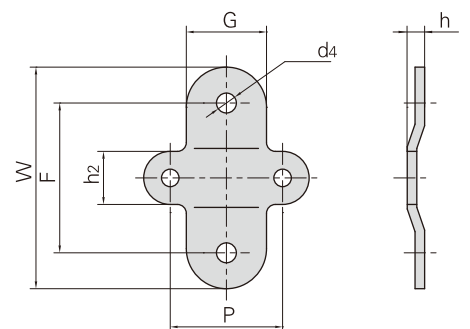


Donghua Ketten Nr.	P	h	h <sub>4</sub>	H	d <sub>4</sub>
	mm	mm	mm	mm	mm
2060HK1F27	38.10	13.40	14.00	21.87	8.50
2060HK1F28	38.10	13.40	14.00	21.87	10.00
*C2060K1F29	38.10	13.46	10.50	22.76	8.50



\*Gerade Laschen

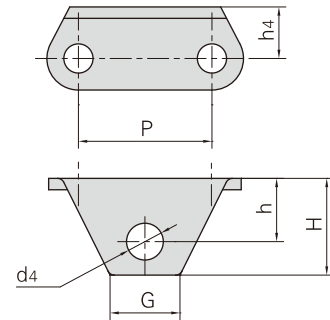
Donghua Ketten Nr.	P	h <sub>2</sub>	G	F	W	d <sub>4</sub>	h
	mm	mm	mm	mm	mm	mm	mm
C2060HF81	38.10	18.00	27.20	50.80	75.14	6.75	5.90



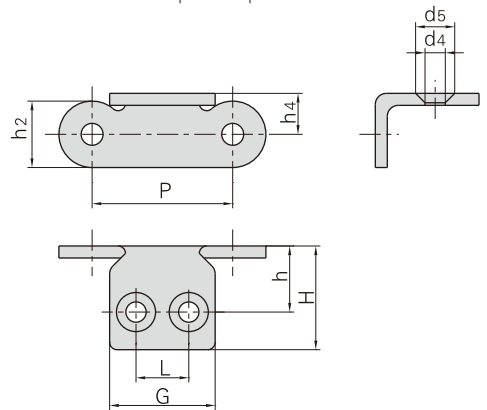


## Sonder-Anbauteile für langgliedrige Förderketten

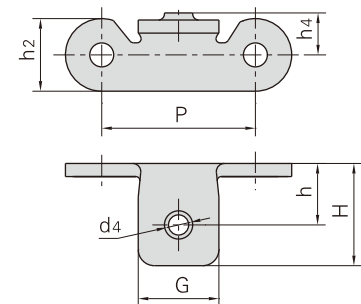
Donghua Ketten Nr.	P	G	h <sub>4</sub>	h	H	d <sub>4</sub>
	mm	mm	mm	mm	mm	mm
C2060HK1F31	38.10	20.30	14.70	18.10	27.60	10.50
C2060K1F37	38.10	21.40	14.70	15.00	24.20	10.50



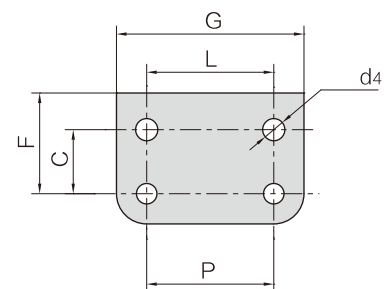
Donghua Ketten Nr.	P	h <sub>2</sub>	h	h <sub>4</sub>	H	L	G	d <sub>4</sub>	d <sub>5</sub>
	mm	mm	mm	mm	mm	mm	mm	mm	mm
C2062HA2F91	38.10	17.50	15.05	8.00	27.00	14.30	28.00	5.50	10.60
C220ALA2F7	63.50	30.00	31.00	15.00	46.00	30.40	52.00	9.00	-
C220ALA2F8	63.50	30.00	27.80	15.00	48.20	23.80	47.60	9.20	-



Donghua Ketten Nr.	P	h <sub>2</sub>	h <sub>4</sub>	h	H	G	d <sub>4</sub>
	mm	mm	mm	mm	mm	mm	mm
C2062HA1F29	38.10	18.00	10.40	15.30	25.40	20.00	M6
C2082HA1F25	50.80	24.00	11.00	22.68	35.18	25.00	M8

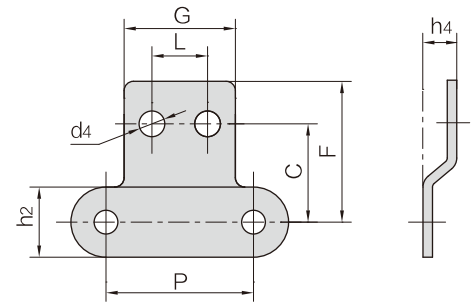


Donghua Ketten Nr.	P	L	G	C	F	d <sub>4</sub>
	mm	mm	mm	mm	mm	mm
C2050HWSA2F1	31.75	31.75	46.75	15.90	25.00	5.50

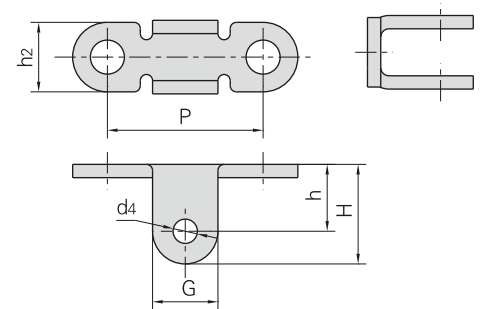


## Sonder-Anbauteile für langgliedrige Förderketten

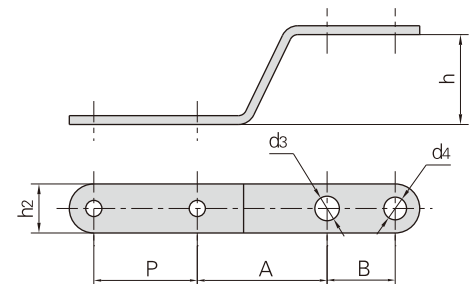
Donghua Ketten Nr.	P	h <sub>2</sub>	h <sub>4</sub>	L	G	C	F	d <sub>4</sub>
	mm	mm	mm	mm	mm	mm	mm	mm
C2050F47	31.75	15.00	7.22	11.90	23.80	21.00	30.10	5.50



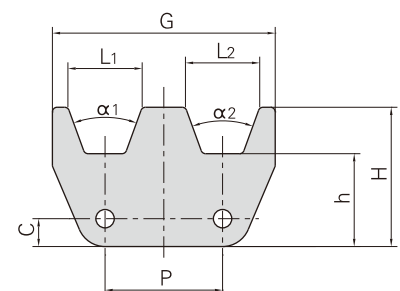
Donghua Ketten Nr.	P	G	h <sub>2</sub>	h	H	d <sub>4</sub>
	mm	mm	mm	mm	mm	mm
C2062HF84	38.10	16.00	17.00	16.40	24.40	5.94
C2062HF112	38.10	15.20	18.00	15.93	23.53	7.15



Donghua Ketten Nr.	P	h <sub>2</sub>	h	A	B	d <sub>3</sub>	d <sub>4</sub>
	mm	mm	mm	mm	mm	mm	mm
C2062F85	38.10	18.00	33.00	47.66	25.00	9.00	8.33
C2062HF101	38.10	18.00	33.50	47.66	25.00	9.00	8.33

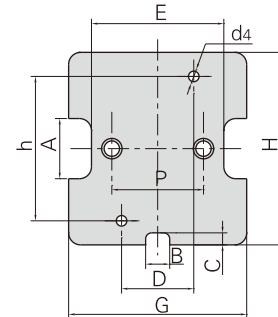


Donghua Ketten Nr.	P	G	L <sub>1</sub>	L <sub>2</sub>	C	h	H	α <sub>1</sub>	α <sub>2</sub>
	mm	mm	mm	mm	mm	mm	mm		
C2062F102	38.10	72.00	24.00	24.00	9.00	30.00	45.00	40°	40°

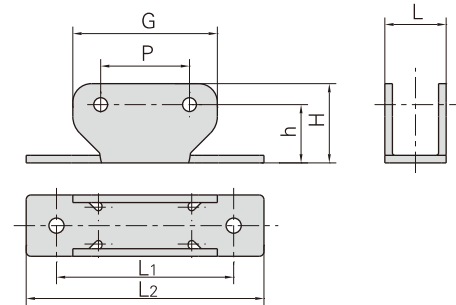


## Sonder-Anbauteile für langgliedrige Förderketten

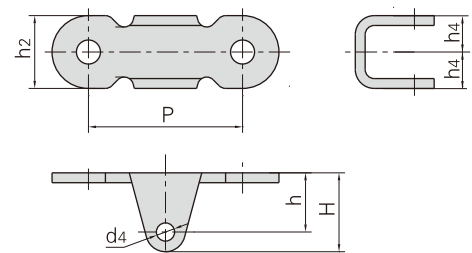
Donghua Ketten Nr.	P	G	h	H	A	B	C	D	E	d4
	mm	mm	mm	mm	mm	mm	mm	mm	mm	mm
C2062F82	38.10	74.00	60.00	80.00	25.00	10.00	5.00	30.00	55.00	M6



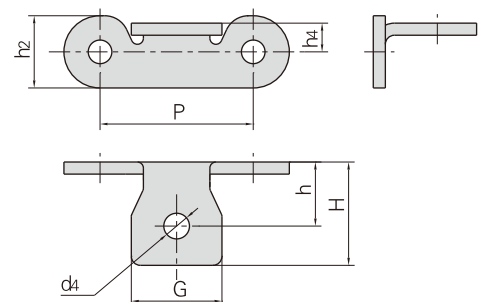
Donghua Ketten Nr.	P	G	h	H	L	L1	L2
	mm	mm	mm	mm	mm	mm	mm
C2062HU1F1	38.10	62.00	25.00	34.00	26.30	76.00	102.00



Donghua Ketten Nr.	P	h2	h4	h	H	d4
	mm	mm	mm	mm	mm	mm
C2082F1AA1-D3	50.80	24.00	12.00	19.50	26.00	6.00

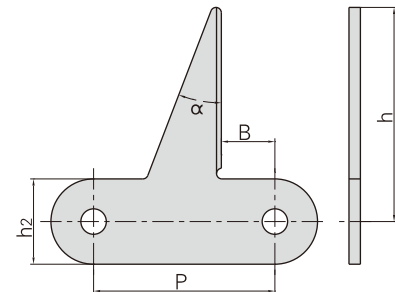


Donghua Ketten Nr.	P	G	h2	h4	h	H	d4
	mm	mm	mm	mm	mm	mm	mm
C2082HF76	50.80	30.00	24.00	9.50	21.20	34.20	8.50

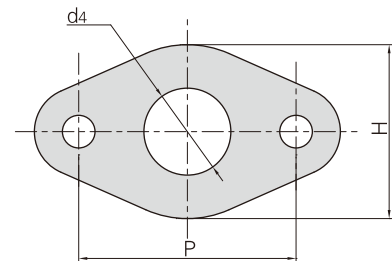


## Sonder-Anbauteile für langgliedrige Förderketten

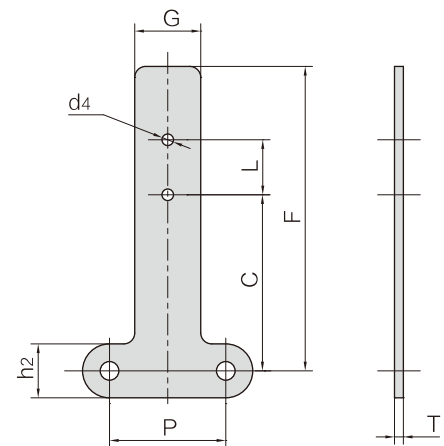
Donghua Ketten Nr.	P	h <sub>2</sub>	h	B	α
	mm	mm	mm	mm	
C2162F1	101.60	47.80	120.00	30.00	21°



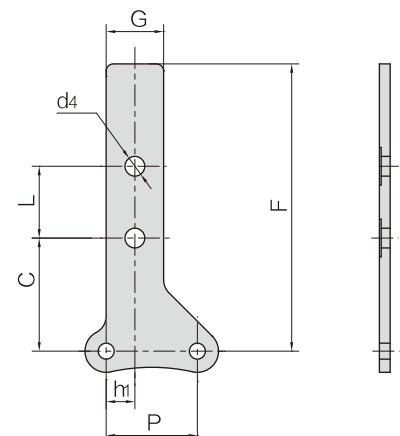
Donghua Ketten Nr.	P	H	d <sub>4</sub>
	mm	mm	mm
220AHF1-1C	63.50	50.80	25.40



Donghua Ketten Nr.	P	h <sub>2</sub>	C	L	F	G	d <sub>4</sub>	T
	mm	mm	mm	mm	mm	mm	mm	mm
C210BSA2F2	31.75	14.70	48.00	15.00	83.00	18.00	M4	1.70
C210BSA2F4	31.75	14.70	48.00	15.00	83.00	18.00	M4	1.42

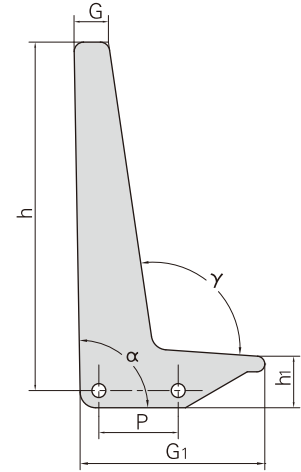


Donghua Ketten Nr.	P	h <sub>1</sub>	C	L	F	G	d <sub>4</sub>
	mm	mm	mm	mm	mm	mm	mm
208BF49	25.40	8.00	31.49	20.00	80.00	16.00	5.50

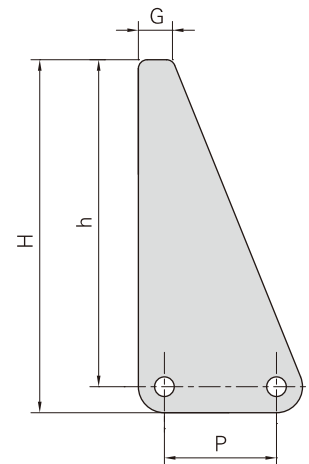


## Sonder-Anbauteile für langgliedrige Förderketten

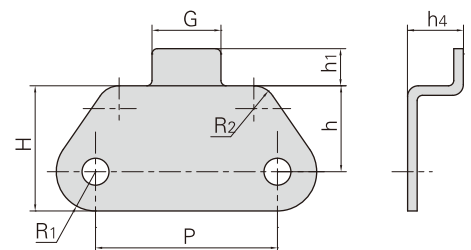
Donghua Ketten Nr.	P	G	G <sub>1</sub>	h	h <sub>1</sub>	α	γ
	mm	mm	mm	mm	mm		
208BF41	25.40	13.00	60.00	102.60	16.20	90°	96°
208BF43	25.40	14.66	60.00	94.10	16.20	90°	96°
C208BF46	25.40	11.00	59.00	111.50	16.00	91°	102°



Donghua Ketten Nr.	P	G	h	H
	mm	mm	mm	mm
208BF42	25.40	7.70	74.10	80.00

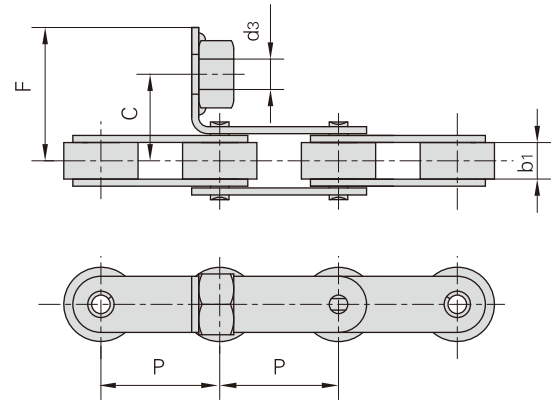


Donghua Ketten Nr.	P	G	h	h <sub>1</sub>	H	h <sub>4</sub>
	mm	mm	mm	mm	mm	mm
210BF3	34.25	13.00	16.20	7.00	23.60	10.50

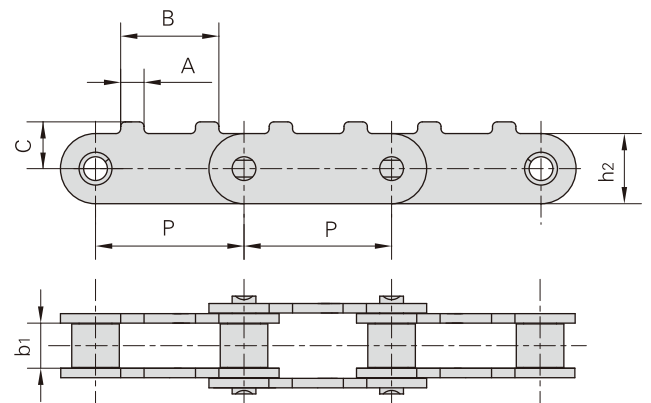


## Langgliedrige Förderketten mit Sonder-Anbauteilen

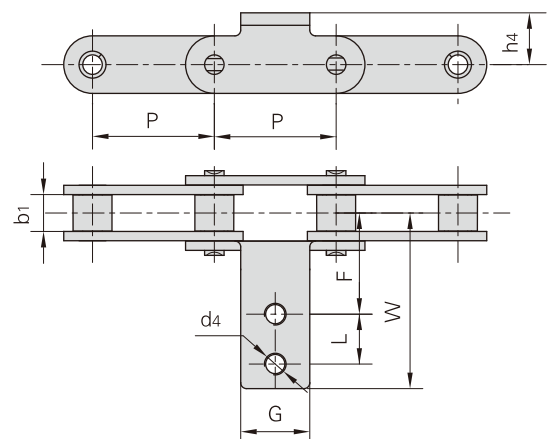
Donghua Ketten Nr.	P	b <sub>1</sub>	C	F	d <sub>3</sub>
	mm	mm	mm	mm	mm
C2042F4	25.40	7.85	18.50	28.50	M8
C2062HF86	38.10	12.57	28.60	39.60	10.50
C2062HF87	38.10	12.57	30.40	41.40	10.50



Donghua Ketten Nr.	P	b <sub>1</sub>	h <sub>2</sub>	A	B	C
	mm	mm	mm	mm	mm	mm
C2050F9	31.75	9.4	15.0	5.0	21.0	10.0

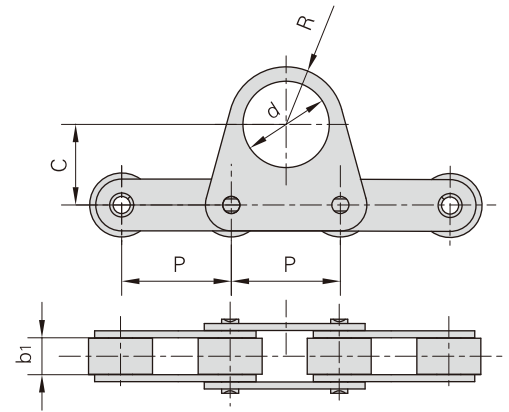


Donghua Ketten Nr.	P	b <sub>1</sub>	G	L	F	W	h <sub>4</sub>	d <sub>4</sub>
	mm	mm	mm	mm	mm	mm	mm	mm
C2050HF2	31.75	9.4	18.0	13.0	36.1	56.5	13.5	M5

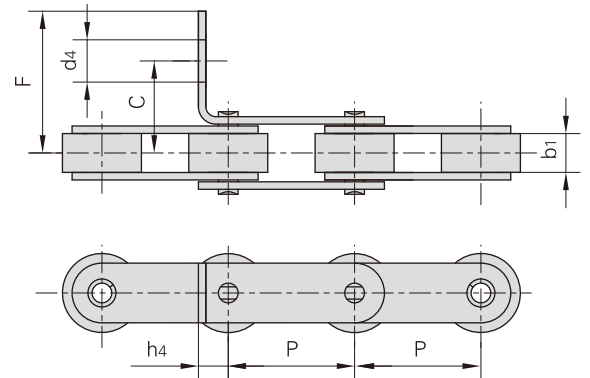


## Langgliedrige Förderketten mit Sonder-Anbauteilen

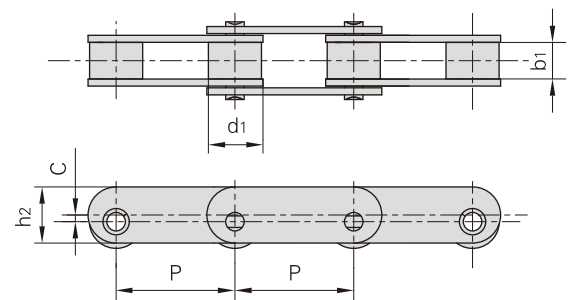
Donghua Ketten Nr.	P	b <sub>1</sub>	C	d	R
	mm	mm	mm	mm	mm
C2062F5	38.1	12.57	28.0	30	20



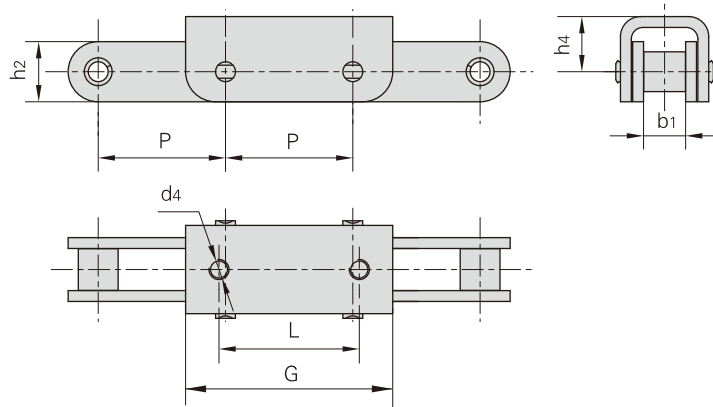
Donghua Ketten Nr.	P	b <sub>1</sub>	C	F	d <sub>4</sub>	h <sub>4</sub>
	mm	mm	mm	mm	mm	mm
C2042F8	25.4	7.85	17.75	28.00	8.5	10.0
C2062HF13	38.1	12.57	31.90	42.90	6.0	9.8
C224AF2	76.2	25.22	52.70	77.75	13.0	26.8



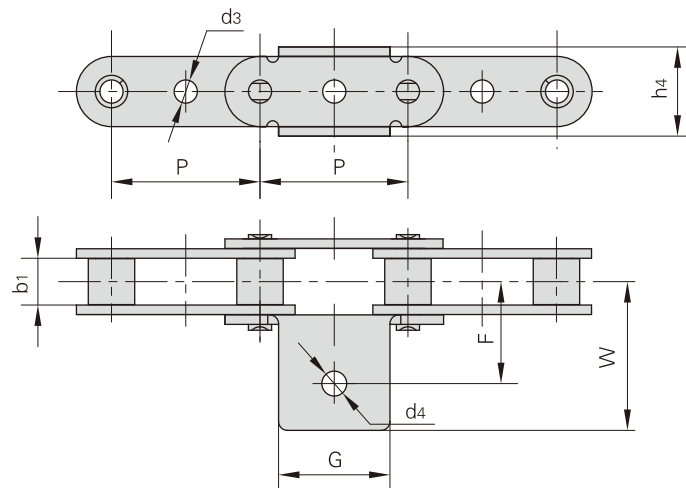
Donghua Ketten Nr.	P	b <sub>1</sub>	C	h <sub>2</sub>	d <sub>1</sub>
	mm	mm	mm	mm	mm
C2062F6	38.1	12.57	3.0	23.0	22.23
C2082F8	50.8	15.75	3.5	25.0	28.58



## Langgliedrige Förderketten mit Sonder-Anbauteilen



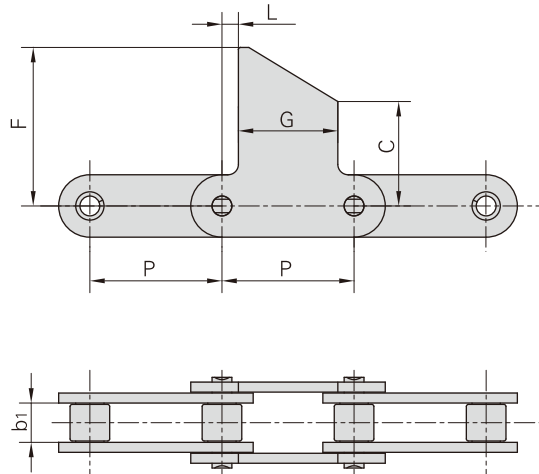
Donghua Ketten Nr.	P	b <sub>1</sub>	L	G	d <sub>4</sub>	h <sub>2</sub>	h <sub>4</sub>
	mm	mm	mm	mm	mm	mm	mm
C2060H-U1F1	38.1	12.57	42.0	62.0	M6	18.0	16.5



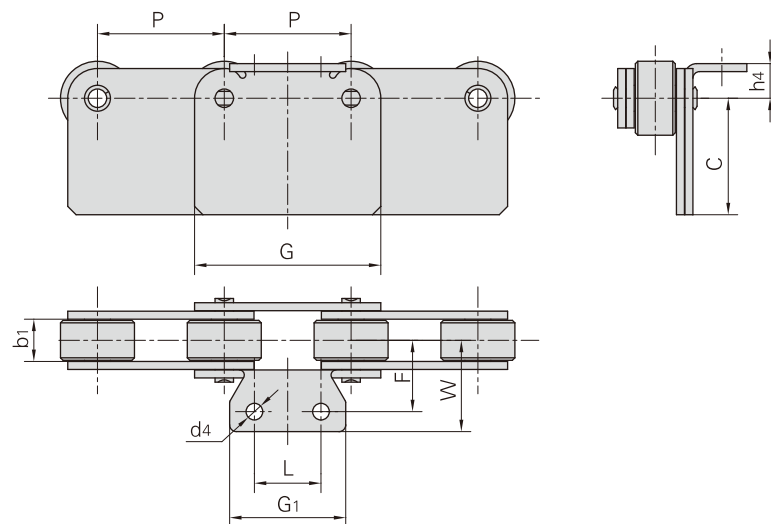
Donghua Ketten Nr.	P	b <sub>1</sub>	G	F	W	h <sub>4</sub>	d <sub>4</sub>	d <sub>3</sub>
	mm	mm	mm	mm	mm	mm	mm	mm
C2080K1F4	50.8	15.75	38.1	40.0	56.0	30.5	8.5	-
C2080HGF1	50.8	15.75	36.0	38.0	46.0	28.4	6.0	8.1



## Langgliedrige Förderketten mit Sonder-Anbauteilen



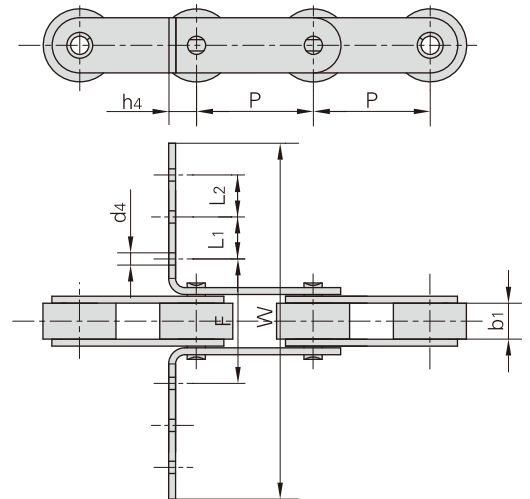
Donghua Ketten Nr.	P	b <sub>1</sub>	L	G	C	F
	mm	mm	mm	mm	mm	mm
C2060F110	38.10	12.57	5.00	30.00	15.00	30.00
C2100HF4	63.50	18.90	7.90	47.80	50.80	76.20
C2100HF5	63.50	18.90	7.90	47.80	95.30	133.40



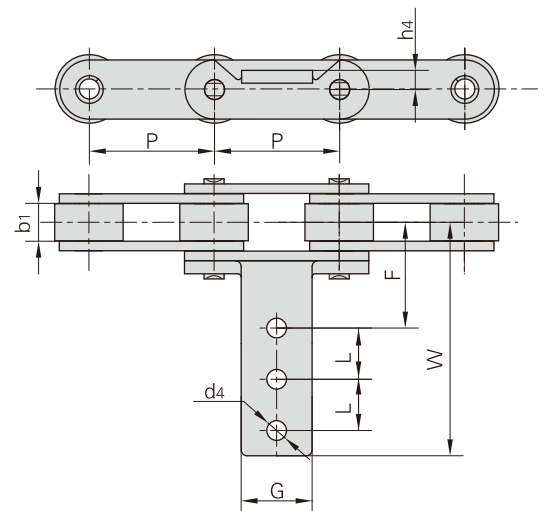
Donghua Ketten Nr.	P	b <sub>1</sub>	L	G <sub>1</sub>	G	h <sub>4</sub>	d <sub>4</sub>	C	F	W
	mm	mm	mm	mm	mm	mm	mm	mm	mm	mm
C2082HWSA0F1	50.80	15.75	-	38.10	74.80	19.10	8.50	64.90	27.80	40.50
C2082HF93	50.80	15.75	-	38.10	74.80	19.10	-	64.90	-	40.50
C224ALK2F2	76.20	25.22	40.00	70.00	111.90	20.80	10.00	70.00	43.00	55.00

## Langgliedrige Förderketten mit Sonder-Anbauteilen

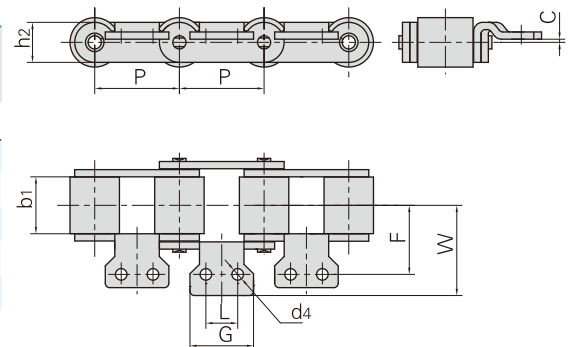
Donghua Ketten Nr.	P	b <sub>1</sub>	L <sub>1</sub>	L <sub>2</sub>	F	W	h <sub>4</sub>	d <sub>4</sub>
	mm	mm	mm	mm	mm	mm	mm	mm
C2080HF6	50.8	15.75	43.0	–	60.0	160.0	20.45	5.5
C2080HF11	50.8	15.75	30.0	–	110.0	210.0	19.00	8.2
C2080HF78	50.8	15.75	42.5	–	63.5	163.5	21.20	5.0
C2100HF2	63.5	18.90	52.5	52.5	70.0	300.0	30.00	5.5
C224AHF8A2	76.2	25.22	40.0	–	118.0	238.0	28.50	12.0



Donghua Ketten Nr.	P	b <sub>1</sub>	G	L	F	W	h <sub>4</sub>	d <sub>4</sub>
	mm	mm	mm	mm	mm	mm	mm	mm
C2082HF4	50.8	15.75	28.6	50.8	57.4	181.4	8.7	11.1

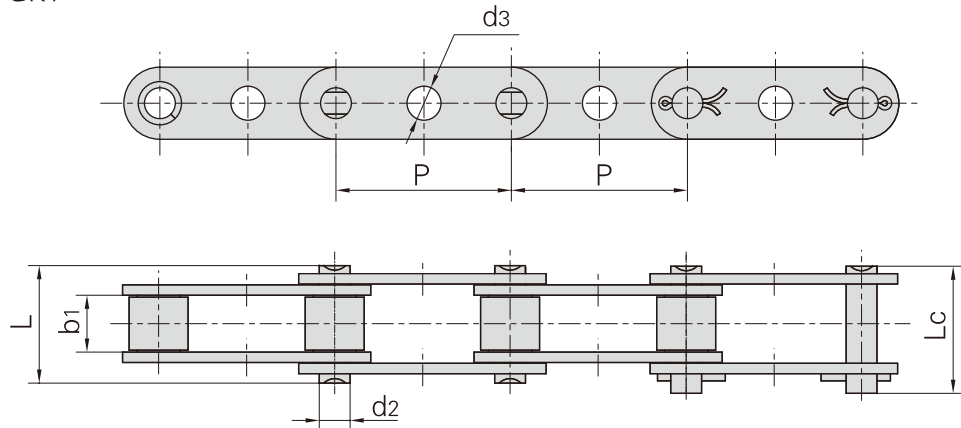


Donghua Ketten Nr.	P	b <sub>1</sub>	h <sub>2</sub>	G	L	F	W	d <sub>4</sub>	C
	mm	mm	mm	mm	mm	mm	mm	mm	mm
C2050A6	31.75	9.4	15.0	16.0	–	23.4	32.8	5.5	0.50
C2052F11	31.75	9.4	15.0	16.0	–	26.6	34.6	6.2	0.50
C2062HF63A2F1	38.10	25.4	18.0	28.6	14.4	34.5	40.0	5.2	1.43
C2062HF63A2F4	38.10	25.4	18.0	28.6	14.4	69.0	87.0	5.2	1.45
C2062HF77A2	38.10	25.4	18.0	33.0	16.3	39.0	47.0	8.5	5.30



## Langgliedrige Förderketten mit Sonder-Anbauteilen

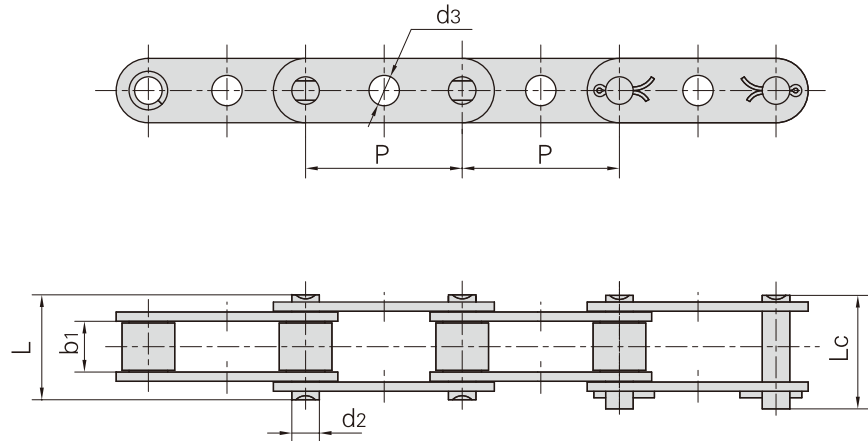
GK1



ISO Ketten Nr.	ANSI Ketten Nr.	P	b1	d2	d3	L	Lc
		mm	mm	mm	mm	mm	mm
C208A	C2040	25.40	7.85	3.96	4.1	16.6	18.8
C208AL	C2042						
C210A	C2050	31.75	9.40	5.08	5.1	20.7	23.3
C210AL	C2052						
C212A	C2060	38.10	12.57	5.94	6.1	25.9	28.3
C212AL	C2062						
C212AH	C2060H	38.10	12.57	5.94	6.1	29.2	31.6
C212AHL	C2062H						
C216A	C2080	50.80	15.75	7.92	8.1	32.7	36.5
C216AL	C2082						
C216AH	C2080H	50.80	15.75	7.92	8.1	36.2	39.4
C216AHL	C2082H						
C220A	C2100	63.50	18.90	9.53	10.1	40.4	44.7
C220AL	C2102						
C220AH	C2100H	63.50	18.90	9.53	10.1	43.6	46.9
C220AHL	C2102H						

## Langgliedrige Förderketten mit Sonder-Anbauteilen

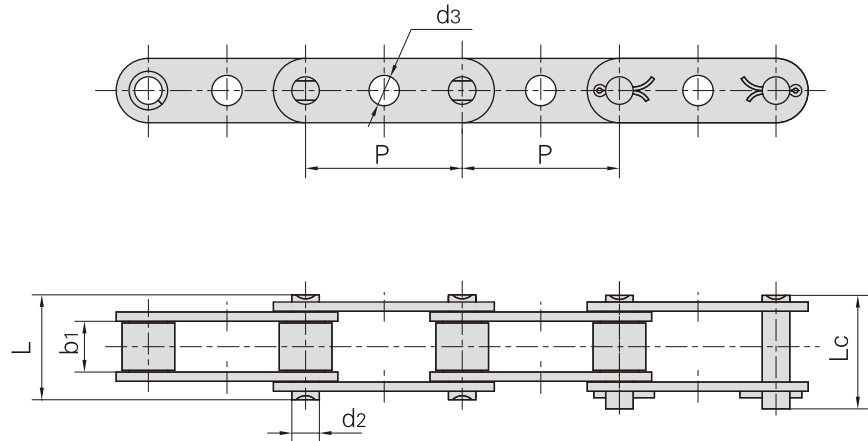
GK1



Donghua Ketten Nr.	P	b1	d2	d3	L	Lc
	mm	mm	mm	mm	mm	mm
C2040GKF6	25.40	7.85	3.96	6.10	16.60	18.80
C2040GKF7	25.40	7.85	3.96	6.35/7.92	17.00	18.80
C2050F73GK	31.75	9.40	5.08	6.10	21.38	23.98
C2050GKF10	31.75	9.40	5.08	5.00	20.70	23.30
C2050GKF13	31.75	9.40	5.08	5.20	20.70	23.30
C2050GKF14	31.75	9.40	5.08	6.00	20.70	23.30
C2050GKF15	31.75	9.40	5.08	6.50	20.70	23.30
C2050GKF2	31.75	9.40	5.08	8.10	20.70	22.20
C2050GKF3	31.75	9.40	5.08	8.10	20.70	22.20
C2050GKF4	31.75	9.40	5.08	7.00	20.70	22.20
C2050GKF5	31.75	9.40	5.08	7.10	20.70	22.20
C2050GKF6	31.75	9.40	5.08	6.00	20.70	22.20
C2050GKF7	31.75	9.40	5.08	6.10	20.70	22.20
C2050GKF8	31.75	9.40	5.08	8.30	20.70	22.20
C2050HGK	31.75	9.40	5.08	8.20	22.10	23.40
C2050HGKF1	31.75	9.40	5.08	7.00	22.10	23.40
C2052HGKF3	31.75	9.40	5.08	6.00	22.10	23.40
C2050HGKF4	31.75	9.40	5.08	8.10	22.10	23.40
C2050HGKF5NP	31.75	9.40	5.08	6.50	22.10	24.50
C2050HGKF17	31.75	9.40	5.08	6.10	22.10	24.50
C2060GKF1	38.10	12.57	5.94	8.00	25.90	27.70
C2060GKF2	38.10	12.57	5.94	8.10	25.90	27.70
C2060GKF3	38.10	12.57	5.94	6.20	25.90	27.70
C2060GKF8	38.10	12.57	5.94	8.80	25.90	27.70
C2060GKF18	38.10	12.57	5.94	5.50/10.00	25.90	28.30
C2060HGKF3	38.10	12.57	5.94	8.20	29.20	31.60

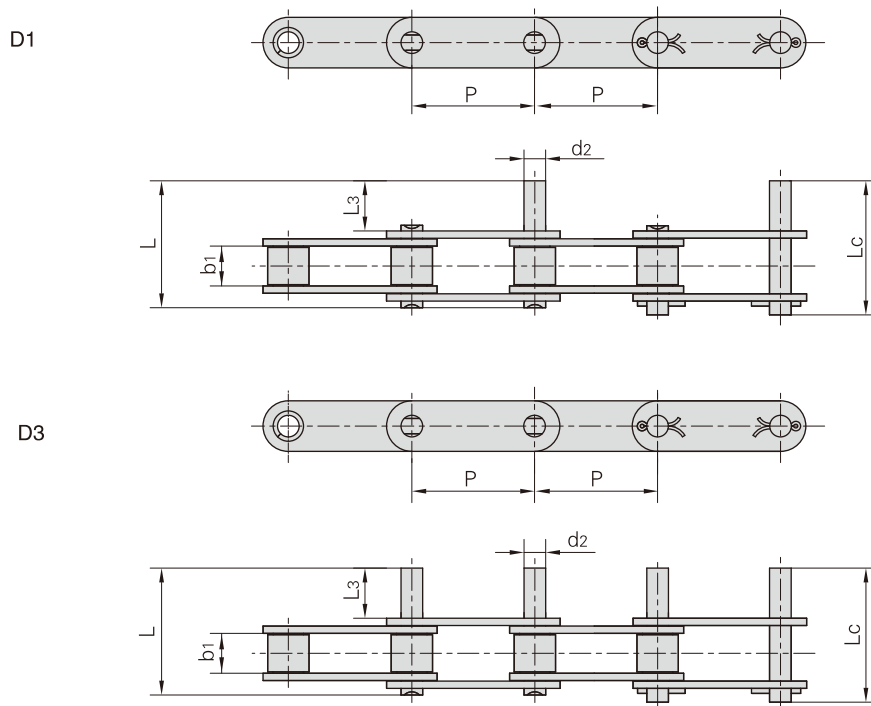
## Langgliedrige Förderketten mit Sonder-Anbauteilen

GK1



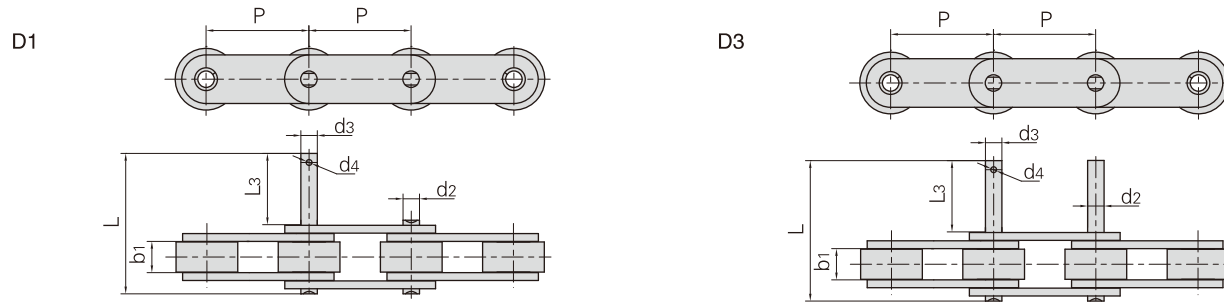
Donghua Ketten Nr.	P	b1	d2	d3	L	Lc
	mm	mm	mm	mm	mm	mm
C2060HGKF4	38.10	12.57	5.94	8.30	29.20	31.60
C2060HGKF5	38.10	12.57	5.94	6.00	29.20	31.60
C2060HGKF6	38.10	12.57	5.94	8.33	29.20	31.60
C2060HGKF7	38.10	12.57	5.94	10.00	29.20	31.60
C2060HGKF10	38.10	12.57	5.94	8.80	29.20	31.60
C2060HGKF22	38.10	12.57	5.94	8.20	28.70	29.30
C2060HGKF24	38.10	12.57	5.94	10.60	29.20	31.60
C2060HF9	38.10	12.57	5.94	7.95	29.20	31.60
C2060HF69GK	38.10	12.57	5.94	8.33	28.70	30.80
C2062GKF25	38.10	12.57	5.94	8.00	25.90	28.30
C2080HGKF2	50.80	15.75	7.92	7.90	36.20	39.40
C2080HGKF6	50.80	15.75	7.92	11.00	36.20	39.40
C2080HGKF12	50.80	15.75	7.92	10.97	36.20	38.90
C2082GKF14	50.80	15.75	7.92	10.97	36.20	38.90
C2082GKF15	50.80	15.75	7.92	10.95	36.20	38.90
C2082GKF16	50.80	15.75	7.92	11.00	32.70	36.50
C2082GKF17	50.80	15.75	7.92	10.30	32.70	36.50
C2100F26GK	63.50	10.40	9.53	14.60/17.50	23.90	-
C2100SLRF26GK	63.50	10.10	9.53	14.58/17.60	23.80	-
C220AGK	63.50	18.90	9.53	8.00	40.40	44.70
C208BGKF1	25.40	7.75	4.45	6.00	16.70	18.20
C208BGKF3	25.40	7.75	4.45	4.50	17.70	20.10
C208BGKF4	25.40	7.75	4.45	6.10	16.70	18.20
C208BGKF6	25.40	7.75	4.45	6.00	16.70	19.30
C208BGKF7SLR	25.40	7.75	4.45	6.00	17.70	20.10
C210BF2GK	31.75	7.00	5.08	5.97	16.50	-

## Langgliedrige Förderketten mit Mitnehmerbolzen



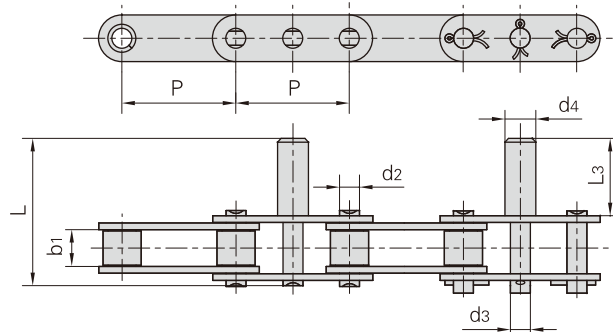
ISO Ketten Nr.	ANSI Ketten Nr.	P	b <sub>1</sub>	d <sub>2</sub>	L <sub>3</sub>	L	L <sub>c</sub>
		mm	mm	mm	mm	mm	mm
C208A	C2040	25.40	7.85	3.96	9.5	25.1	26.2
C208AL	C2042						
C210A	C2050	31.75	9.40	5.08	11.9	31.3	33.1
C210AL	C2052						
C212A	C2060	38.10	12.57	5.94	14.3	38.6	40.6
C212AL	C2062						
C212AH	C2060H	38.10	12.57	5.94	14.3	42.0	43.8
C212AHL	C2062H						
C216A	C2080	50.80	15.75	7.92	19.1	50.3	53.3
C216AL	C2082						
C216AH	C2080H	50.80	15.75	7.92	19.1	53.5	55.0
C216AHL	C2082H						
C220A	C2100	63.50	18.90	9.53	23.8	61.8	66.1
C220AL	C2102						
C220AH	C2100H	63.50	18.90	9.53	23.8	65.0	68.3
C220AHL	C2102H						
C224AH	C2120H	76.20	25.22	11.10	28.6	79.6	83.6
C224AHL	C2122H						
C232AH	C2160H	101.60	31.75	14.27	38.1	103.0	107.8
C232AHL	C2162H						

## Langgliedrige Förderketten mit Mitnehmerbolzen

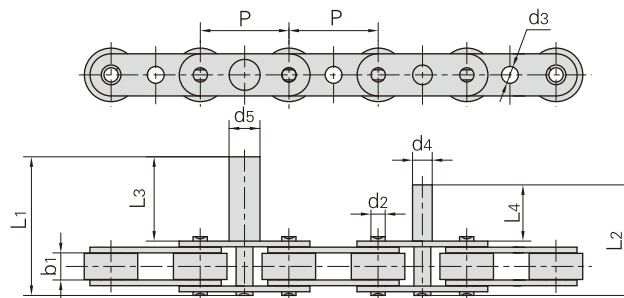


Donghua Ketten Nr.	P	b1	L3	L	d2	d3	d4
	mm	mm	mm	mm	mm	mm	mm
2040-D3F12	25.400	7.85	8.00	23.70	3.96	6.00	-
208B-D3F17	25.400	7.75	19.40	35.10	4.45	4.65	1.60
C2040-D1F23	25.400	7.85	37.00	52.60	3.96	5.50	-
C2040-D3F13	25.400	7.85	31.75	47.35	3.96	7.94	-
C2040-D3F15	25.400	7.85	20.40	36.00	3.96	4.45	1.50
C2042-D1F20	25.400	7.85	35.00	51.00	3.96	6.00	-
C208B-D3F19	25.400	7.75	15.20	31.00	4.48	8.30	-
210B-D1F3	31.750	9.65	33.00	51.40	5.08	8.00	-
C2052-D13F2	31.750	9.40	23.40	43.00	5.08	6.00	-
C2052-D1F23	31.750	9.40	40.00	59.70	5.08	6.35	-
C2052-D1F27	31.750	9.40	20.00	41.10	5.08	9.00	-
C2052-D1F28	31.750	9.40	21.00	42.10	5.08	9.30	-
C2052-D1F52	31.750	9.40	30.00	49.50	5.08	9.00	-
C2052-D1F54	31.750	9.40	22.00	41.60	5.08	5.08	1.80
C2052-D1F71	31.750	9.40	20.00	41.10	5.08	7.00	-
C2052-D1F72	31.750	9.40	50.00	71.20	5.08	8.00	-
C2052-D3F20	31.750	9.40	22.00	41.60	5.08	5.70	-
C2052F56-D1SS	31.750	9.00	25.70	49.90	5.08	5.55	-
C2060H-D1F57	38.100	12.57	35.00	52.80	5.94	10.00	-
C2060H-D3F44	38.100	12.57	25.00	55.50	5.94	M8	-
C2060SLR-D3F55	38.100	12.57	14.30	40.50	5.94	5.94	2.00
C2062-D1F32	38.100	12.57	18.50	43.00	5.94	9.00	-
C2062-D1F40	38.100	12.57	30.00	54.60	5.94	8.00	-
C2062-D1F54	38.100	12.57	25.00	49.40	5.94	7.95	2.50
C2062-D3F31	38.100	12.57	35.00	59.50	5.94	10.00	-
C2062H-D1F47	38.100	12.57	30.00	57.80	5.94	7.95	2.50
C2062H-D1F58	38.100	12.57	29.20	57.00	5.94	9.80	-
C2062H-D1F68	38.100	12.57	26.00	53.80	5.94	5.94	2.00
C2062HF99	38.100	12.57	50.00	80.80	5.94	10.00	-
C2062HNP-D1F59	38.100	12.57	22.20	50.20	5.94	12.70	-
216B-D1F4	50.800	17.02	20.00	54.10	8.28	12.00	-
C2082-D1F21	50.800	15.75	24.50	55.60	7.92	12.00	-
C2082-D1F8	50.800	15.75	30.00	61.20	7.92	8.50	-
C2082H-D1F10	50.800	15.75	30.00	64.40	7.92	8.50	-
C2082H-D1F12	50.800	15.75	20.00	54.20	7.92	9.00	3.20
C2082H-D1F22	50.800	15.75	25.40	60.00	7.92	15.88	-
C2102H-D3F5	63.500	18.90	37.00	78.50	9.53	9.53	2.50

## Langgliedrige Förderketten mit Mitnehmerbolzen



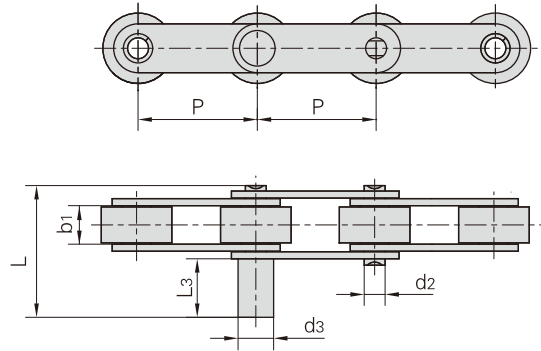
Donghua Ketten Nr.	P	b1	d2	d3	d4	L3	L
	mm	mm	mm	mm	mm	mm	mm
C2052F2	31.75	9.40	5.08	6.00	7.00	20.00	39.80
C2052F14	31.75	9.40	5.08	6.00	7.00	21.00	40.40
C2050GKF12	31.75	9.40	5.08	5.08	5.08	11.90	34.00
C2050GKF13	31.75	9.40	5.08	5.20	10.00	35.00	54.60
C2052-D5F26	31.75	9.40	5.08	6.35	8.76	19.90	39.50
C2052-D5F27	31.75	9.40	5.08	6.35	7.11	19.70	39.00
C2060H-D23	38.10	12.57	5.94	8.80	12.70	41.30	69.30
C2060H-D24	38.10	12.57	5.94	7.95	12.70	44.80	65.60
C2060H-D31	38.10	12.57	5.94	7.95	16.00	45.00	73.00
C2060H-D5F4	38.10	12.57	5.94	7.95	12.70	50.00	77.80
C2060HF9	38.10	12.57	5.94	7.95	12.70	41.30	69.30
C2060HF10	38.10	12.57	5.94	7.70	14.30	41.30	69.30
C2060HF75	38.10	12.57	5.94	6.00	8.00	27.50	55.50
C2062-D38	38.10	12.57	5.94	5.94	11.10	24.20	48.60
C2062-D39	38.10	12.57	5.94	5.94	13.30	32.20	56.60
C2062H-D41	38.10	12.57	5.94	9.53	9.50	22.20	50.00
C2062HGKF17-D5F1	38.10	12.57	5.94	7.95	13.30	32.20	60.20
C212AHF3	38.10	12.57	5.94	8.08	10.00	35.00	63.00
C212AHF7	38.10	12.57	5.94	5.94	12.70	41.20	69.20
C212AHF8	38.10	12.57	5.94	8.00	10.00	35.00	63.00
C212AHL-D4	38.10	12.57	5.94	5.94	8.00	25.00	53.00



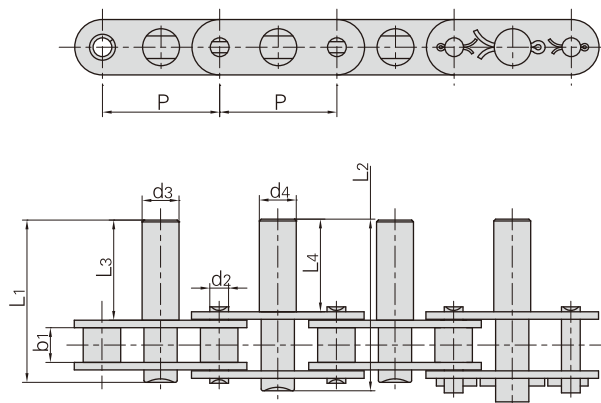
Donghua Ketten Nr.	P	b1	d2	d4	d5	L3	L1	L4	L2
	mm	mm	mm	mm	mm	mm	mm	mm	mm
C2052F1	31.75	9.4	5.08	7.0	11.0	30.0	49.8	20.0	39.8



## Langgliedrige Förderketten mit Mitnehmerbolzen

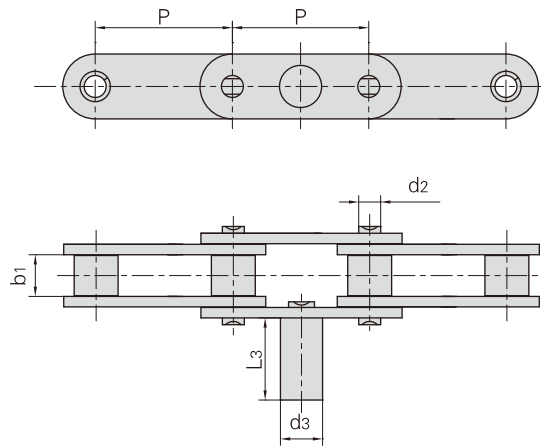


Donghua Ketten Nr.	P mm	b1 mm	d2 mm	d3 mm	L3 mm	L mm
C2052DF1	31.75	9.40	5.08	7.50	14.15	33.6
C210AF4	31.75	9.40	5.08	11.00	34.00	53.7
C2052-D4	31.75	9.40	5.08	6.00	32.40	52.0
C2050-D5	31.75	9.40	5.08	8.00	40.00	59.7
C212AHL-D4	38.10	12.57	5.94	8.00	25.00	53.0
C2062-D6	38.10	12.57	5.94	12.00	25.00	49.7

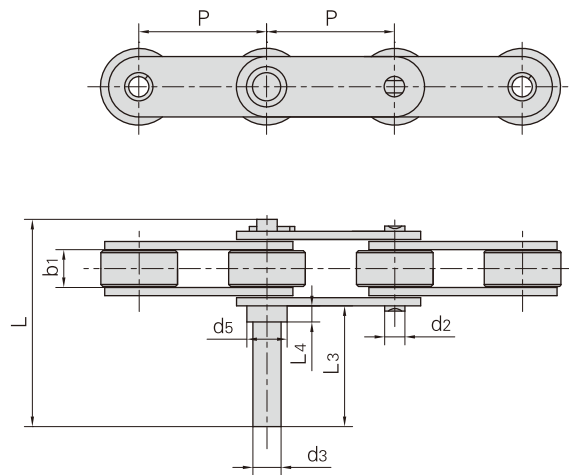


Donghua Ketten Nr.	P mm	b1 mm	d2 mm	d3 mm	d4 mm	L3 mm	L1 mm	L4 mm	L2 mm
C2050-D5F1	31.75	9.40	5.08	10.00	10.00	43.20	60.30	41.00	62.40

## Langgliedrige Förderketten mit Mitnehmerbolzen

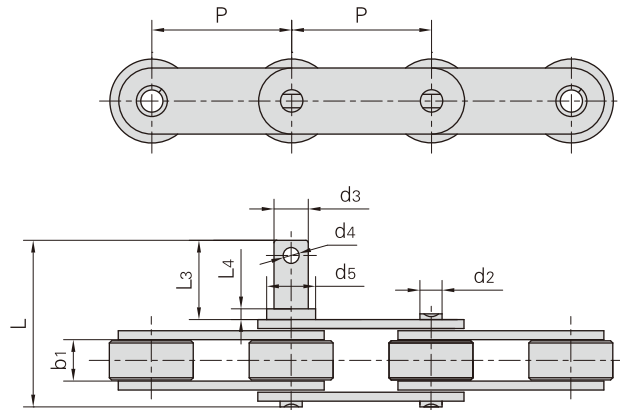


Donghua Ketten Nr.	P	b1	L3	d2	d3
	mm	mm	mm	mm	mm
C2050-D5F25	31.75	9.40	19.00	5.08	10.00
C2050F44	31.75	9.40	19.00	5.08	9.75

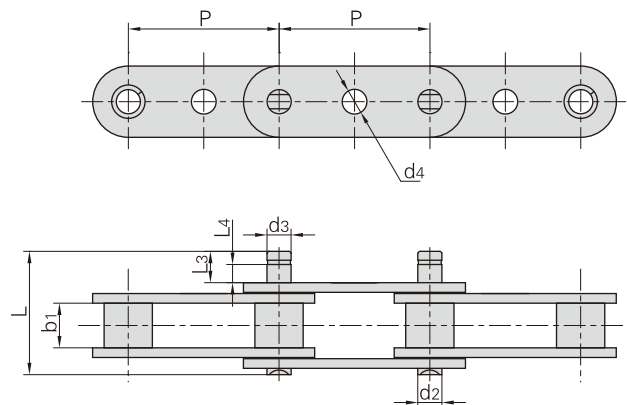


Donghua Ketten Nr.	P	b1	L3	L4	L	d2	d3	d5
	mm	mm	mm	mm	mm	mm	mm	mm
C2052-D1F29	31.75	9.40	33.00	3.00	55.00	5.08	9.00	13.00
C2052-D3F24	31.75	9.40	33.00	3.00	55.00	5.08	9.00	13.00
C2052-D3F55	31.75	9.40	34.00	4.00	56.00	5.08	7.00	10.00

## Langgliedrige Förderketten mit Mitnehmerbolzen



Donghua Ketten Nr.	P	b1	L3	L4	L	d2	d3	d4	d5
	mm	mm	mm	mm	mm	mm	mm	mm	mm
C2052-D1F15	31.75	9.40	16.20	2.20	35.90	5.08	7.00	–	10.00
C2052-PF1-D3F30	31.75	9.40	14.20	2.00	33.90	5.08	5.08	–	8.00
C2062-D1F43	38.10	12.57	40.60	29.10	65.00	5.94	M5	–	5.94
C2062-D8	38.10	12.57	29.00	7.00	53.40	5.94	7.00	–	14.00
C2062H-D1F45	38.10	12.57	27.70	6.00	55.60	5.94	7.90	2.00	12.00
C2062H-D1F50	38.10	12.57	29.00	7.00	56.80	5.94	7.00	–	14.00
C2062H-D1F58	38.10	12.57	29.20	12.20	57.00	5.94	9.00	–	12.00
C2082HAA1F2-D3F2	50.80	15.75	61.50	6.00	96.50	7.92	12.00	–	15.00
C2082H-D3F19	50.80	15.75	31.00	11.00	65.50	7.92	11.90	–	15.88
C220AHSLR-D1F3	63.50	18.90	28.00	3.50	69.50	9.53	11.00	–	15.00



Donghua Ketten Nr.	P	b1	L3	L4	L	d2	d3	d4
	mm	mm	mm	mm	mm	mm	mm	mm
C2050-D1F62	31.75	9.40	8.00	5.00	27.40	5.08	5.08	5.20
C2050-D1F63	31.75	9.40	5.00	2.00	24.40	5.08	5.08	5.20
C2050-D1F64	31.75	9.40	7.00	7.00	24.40	5.08	8.00	–
C2060SLR-D3F56	38.10	12.57	18.20	15.00	44.50	5.94	5.94	–