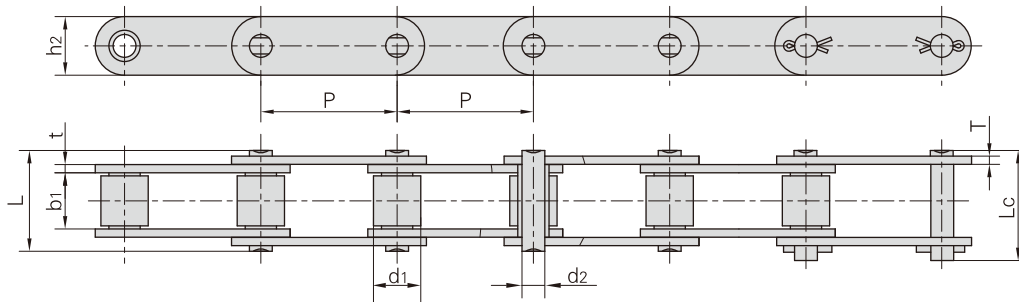
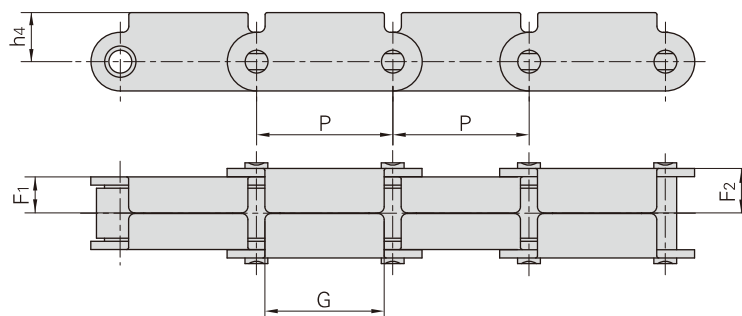


## Förderketten für die Holzindustrie & Anbauteile

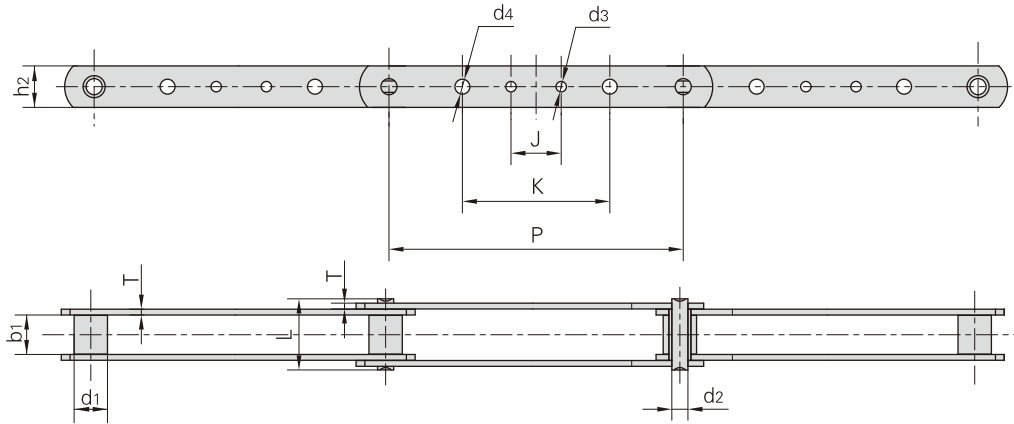


| Donghua Ketten Nr. | Teilung | Rollen-durchmesser | Lichte Weite | Bolzen-durchmesser | Bolzenlänge |        | Innen-laschen-höhe | Laschen-dicke | Bruchkraft  | Durchschnittliche Bruchkraft | Gewicht pro Meter |
|--------------------|---------|--------------------|--------------|--------------------|-------------|--------|--------------------|---------------|-------------|------------------------------|-------------------|
|                    | P       | d1 max             | b1 min       | d2 max             | L max       | Lc max | h2 max             | t/T max       | Q min       | Q0                           | q                 |
|                    | mm      | mm                 | mm           | mm                 | mm          | mm     | mm                 | mm            | kN/lbf      | kN                           | kg/m              |
| P42.47F1           | 42.47   | 22.20              | 27.00        | 11.10              | 49.0        | 53.5   | 28.60              | 4.00          | 97.0/21806  | 106.7                        | 4.74              |
| 500R               | 50.00   | 25.40              | 25.40        | 14.63              | 52.0        | 56.4   | 40.00              | 5.00          | 100.0/22727 | 114.5                        | 7.13              |
| 500RF1             | 50.00   | 25.40              | 25.40        | 14.63              | 53.4        | 60.1   | 40.00              | 5.00          | 120.0/29376 | 132.0                        | 7.23              |
| 81X                | 66.27   | 23.00              | 27.00        | 11.10              | 49.0        | 53.5   | 28.50              | 4.00          | 106.7/24250 | 128.9                        | 3.78              |
| 81XF14             | 66.27   | 23.00              | 27.00        | 11.10              | 50.8        | 53.8   | 28.70              | 4.00          | 85.5/19426  | 91.4                         | 3.78              |
| 81XH               | 66.27   | 23.00              | 27.78        | 11.10              | 60.7        | 65.1   | 31.35              | 7.94/5.55     | 151.9/34523 | 175.7                        | 5.88              |
| 81XHE              | 66.27   | 22.20              | 27.00        | 11.10              | 59.5        | 63.0   | 28.50              | 6.30          | 83.3/18927  | 89.1                         | 5.09              |
| 81XHH              | 66.27   | 23.00              | 27.78        | 11.10              | 65.6        | 70.0   | 31.35              | 7.94          | 191.1/43432 | 212.6                        | 6.70              |
| 81XHS              | 66.27   | 23.00              | 27.00        | 11.10              | 63.6        | 68.0   | 31.80              | 7.60          | 152.0/34545 | 177.2                        | 6.55              |
| 441.100R           | 100.00  | 25.40              | 25.40        | 14.63              | 52.0        | 56.4   | 40.00              | 5.00          | 100.0/22727 | 114.5                        | 5.15              |
| P100F271           | 100.00  | 25.40              | 25.40        | 14.63              | 54.0        | 58.0   | 40.00              | 5.00          | 100.0/22480 | 110.0                        | 5.22              |

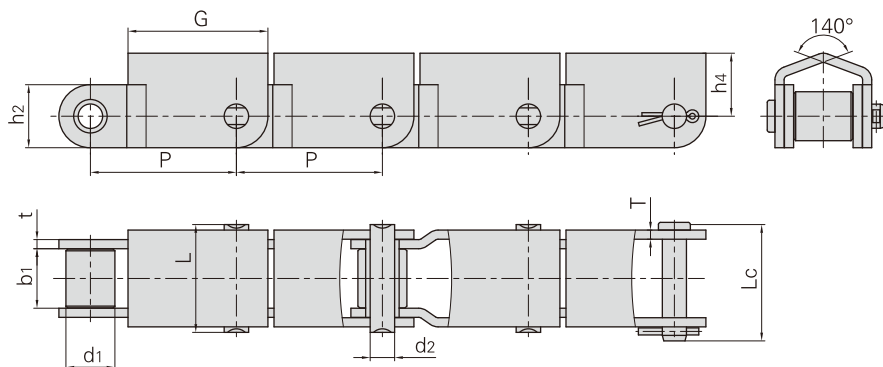


| Donghua Ketten Nr. | P     | F1    | F2    | G     | h4    |
|--------------------|-------|-------|-------|-------|-------|
|                    | mm    | mm    | mm    | mm    | mm    |
| 81XF1(RT)          | 66.27 | 17.50 | 21.80 | 58.00 | 23.85 |

## Förderketten für die Holzindustrie & Anbauteile



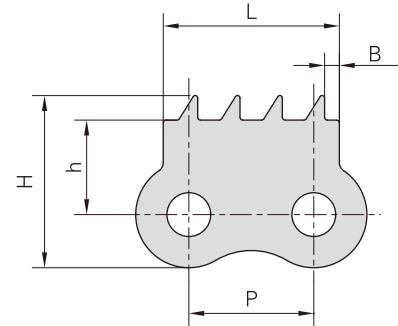
| Donghua Ketten Nr. | Teilung | Rollen-durchmesser | Lichte Weite | Bolzen-durchmesser |       | Laschendimensionen |        |        |       |       | Laschen-dicke | Bruchkraft   | Durchschnittliche Bruchkraft | Gewicht pro Meter |
|--------------------|---------|--------------------|--------------|--------------------|-------|--------------------|--------|--------|-------|-------|---------------|--------------|------------------------------|-------------------|
|                    | P       | d1 max             | b1 min       | d2 max             | L max | h2 max             | d3 max | d4 max | J max | K max | T max         | Q min        | Q0                           | q                 |
|                    | mm      | mm                 | mm           | mm                 | mm    | mm                 | mm     | mm     | mm    | mm    | mm            | kN/lbf       | kN                           | kg/m              |
| 3939-B4            | 203.2   | 23.0               | 27.0         | 11.1               | 49.0  | 28.58              | 7.2    | 7.2    | 38.1  | 101.6 | 4.0           | 115.58/26268 | 136.5                        | 2.45              |
| 3939-B21           | 203.2   | 23.0               | 27.0         | 11.1               | 49.0  | 28.58              | 7.2    | -      | 38.1  | -     | 4.0           | 115.58/26268 | 136.5                        | 2.45              |
| 3939-B23           | 203.2   | 23.0               | 27.0         | 11.1               | 49.0  | 28.58              | -      | 10.3   | -     | 92.1  | 4.0           | 115.58/26268 | 136.5                        | 2.45              |
| 3939-B24           | 203.2   | 23.0               | 27.0         | 11.1               | 49.0  | 28.58              | -      | 7.2    | -     | 101.6 | 4.0           | 115.58/26268 | 136.5                        | 2.48              |
| 3939-B40           | 203.2   | 23.0               | 27.0         | 11.1               | 49.0  | 28.58              | -      | 10.3   | -     | 101.6 | 4.0           | 115.58/26268 | 136.5                        | 2.45              |
| 3939-B43           | 203.2   | 23.0               | 27.0         | 11.1               | 49.0  | 28.58              | 7.2    | 10.3   | 38.1  | 92.1  | 4.0           | 115.58/26268 | 136.5                        | 2.42              |
| 3939-B44           | 203.2   | 23.0               | 27.0         | 11.1               | 49.0  | 28.58              | 7.2    | 10.3   | 38.1  | 101.6 | 4.0           | 115.58/26268 | 136.5                        | 2.45              |
| 3939H-B4           | 203.2   | 23.0               | 27.0         | 11.1               | 58.0  | 28.60              | -      | 7.2    | 38.0  | 102.0 | 6.4           | 150.00/34082 | 172.5                        | 3.51              |



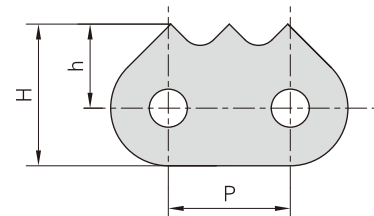
| Donghua Ketten Nr. | Teilung | Rollen-durchmesser | Lichte Weite | Bolzen-durchmesser | Bolzen-länge |        | Laschendimensionen |         |       |       | Bruchkraft | Gewicht pro Meter |
|--------------------|---------|--------------------|--------------|--------------------|--------------|--------|--------------------|---------|-------|-------|------------|-------------------|
|                    | P       | d1 max             | b1 min       | d2 max             | L max        | Lc max | h2 max             | t/T max | G     | h4    | Q min      | q                 |
|                    | mm      | mm                 | mm           | mm                 | mm           | mm     | mm                 | mm      | mm    | mm    | kN/lbf     | kg/m              |
| P66.27F6           | 66.27   | 22.23              | 27.00        | 11.10              | 49.00        | 53.80  | 28.60              | 4.15    | 63.50 | 28.60 | 97.8/21985 | 5.25              |

## Förderketten mit Verzahnten Laschen

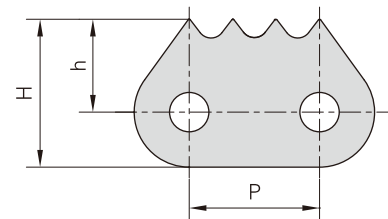
| Donghua Ketten Nr. | P     | h    | H     | B    | L     |
|--------------------|-------|------|-------|------|-------|
|                    | mm    | mm   | mm    | mm   | mm    |
| 08B-940            | 12.70 | 9.60 | 17.50 | 1.50 | 17.90 |



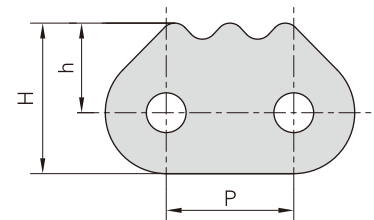
| Donghua Ketten Nr. | P     | h    | H     |
|--------------------|-------|------|-------|
|                    | mm    | mm   | mm    |
| 16AF1              | 25.40 | 17.5 | 29.50 |
| C16A-3PEP          | 25.40 | 17.4 | 29.00 |
| C16BF3             | 25.40 | 18.7 | 29.20 |



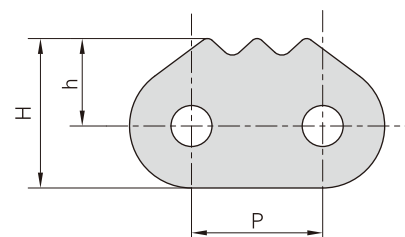
| Donghua Ketten Nr. | P     | h    | H    |
|--------------------|-------|------|------|
|                    | mm    | mm   | mm   |
| 12BF3              | 19.05 | 13.5 | 21.5 |
| C16A-1170          | 25.40 | 16.5 | 28.0 |
| 16B-1170           | 25.40 | 16.0 | 26.5 |
| 16B-1172           | 25.40 | 15.0 | 25.5 |
| C24B-4STC          | 38.10 | 18.3 | 35.0 |



| Donghua Ketten Nr. | P     | h     | H     |
|--------------------|-------|-------|-------|
|                    | mm    | mm    | mm    |
| C60F2              | 19.05 | 13.38 | 22.48 |

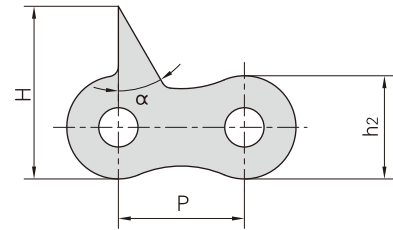


| Donghua Ketten Nr. | P     | h     | H     |
|--------------------|-------|-------|-------|
|                    | mm    | mm    | mm    |
| 12B-910            | 19.05 | 13.70 | 21.70 |
| 60-910             | 19.05 | 12.70 | 21.70 |
| C16A-1-3PEPF1      | 25.40 | 17.50 | 29.50 |
| C100-1-3STC        | 31.75 | 19.15 | 34.15 |
| C24A-1-3STC        | 38.10 | 23.10 | 40.90 |

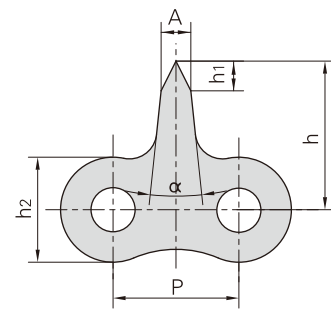


## Förderketten mit Verzahnten Laschen

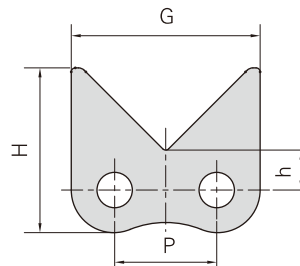
| Donghua Ketten Nr. | P    | h <sub>2</sub> | H    | α   |
|--------------------|------|----------------|------|-----|
|                    | mm   | mm             | mm   |     |
| 08A-D2-F1          | 12.7 | 10.4           | 17.4 | 30° |
| 08AF34             | 12.7 | 10.4           | 17.9 | 30° |



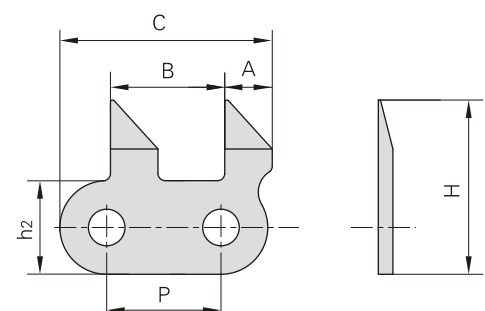
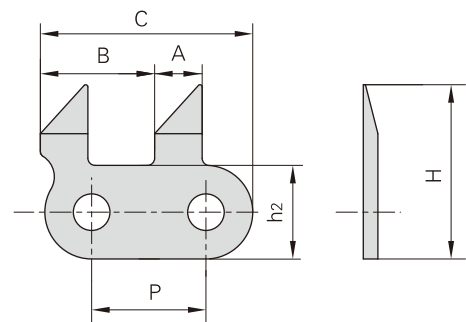
| Donghua Ketten Nr. | P    | h <sub>1</sub> | h <sub>2</sub> | h    | A   | α   |
|--------------------|------|----------------|----------------|------|-----|-----|
|                    | mm   | mm             | mm             | mm   | mm  |     |
| 08BF21             | 12.7 | 3.0            | 10.6           | 15.0 | 3.0 | 12° |



| Donghua Ketten Nr. | P    | H    | h   | G    |
|--------------------|------|------|-----|------|
|                    | mm   | mm   | mm  | mm   |
| 08BF73             | 12.7 | 20.5 | 5.0 | 23.5 |

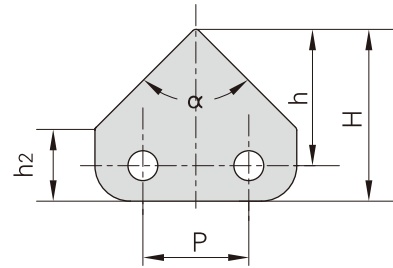


| Donghua Ketten Nr. | P      | A   | B      | C    | h <sub>2</sub> | H    |
|--------------------|--------|-----|--------|------|----------------|------|
|                    | mm     | mm  | mm     | mm   | mm             | mm   |
| 10AF8              | 15.875 | 6.6 | 15.875 | 29.5 | 13.0           | 24.2 |

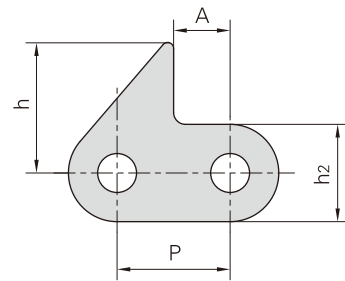


## Förderketten mit Verzahnten Laschen

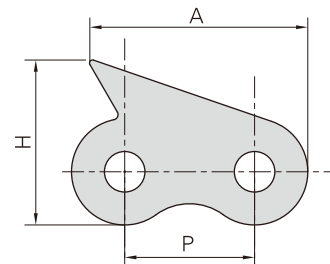
| Donghua Ketten Nr. | P    | H    | h     | h <sub>2</sub> | α   |
|--------------------|------|------|-------|----------------|-----|
|                    | mm   | mm   | mm    | mm             |     |
| 41F6               | 12.7 | 20.6 | 16.35 | 8.70           | 90° |



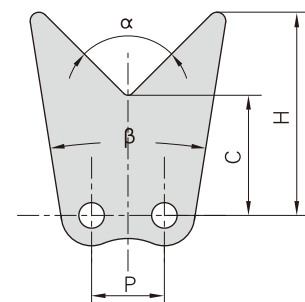
| Donghua Ketten Nr. | P      | h <sub>2</sub> | h     | A     |
|--------------------|--------|----------------|-------|-------|
|                    | mm     | mm             | mm    | mm    |
| 06BF1              | 9.525  | 8.20           | 11.00 | 4.76  |
| 06BF37             | 9.525  | 8.20           | 10.00 | 4.76  |
| 08AF41             | 12.700 | 10.40          | 11.80 | 6.35  |
| 10AF78             | 15.875 | 15.09          | 16.88 | 9.72  |
| 16B-1STCF6         | 25.400 | 21.00          | 27.50 | 0.70  |
| 16BF97-STC         | 25.400 | 21.00          | 23.50 | 2.70  |
| C210AH-1STCF1      | 31.750 | 15.00          | 13.50 | 20.00 |



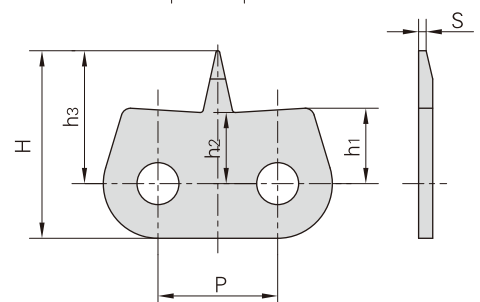
| Donghua Ketten Nr. | P    | H     | A     |
|--------------------|------|-------|-------|
|                    | mm   | mm    | mm    |
| 08BF44             | 12.7 | 16.30 | 23.30 |
| 08AF8              | 12.7 | 16.13 | 21.34 |



| Donghua Ketten Nr. | P    | C    | H     | α   | β   |
|--------------------|------|------|-------|-----|-----|
|                    | mm   | mm   | mm    |     |     |
| 428HJF1            | 12.7 | 21.5 | 36.15 | 90° | 18° |
| 428HJF2            | 12.7 | 14.5 | 33.60 | 90° | 34° |

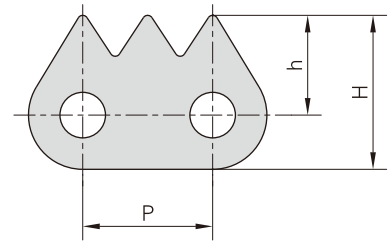


| Donghua Ketten Nr. | P     | h <sub>1</sub> | h <sub>2</sub> | h <sub>3</sub> | H    | s   |
|--------------------|-------|----------------|----------------|----------------|------|-----|
|                    | mm    | mm             | mm             | mm             | mm   | mm  |
| 08BF11             | 12.70 | 8.0            | 7.8            | 14.1           | 19.9 | 0.8 |

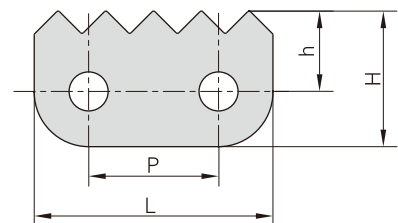


## Förderketten mit Verzahnten Laschen

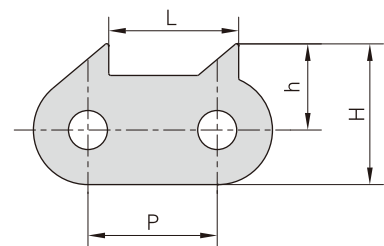
| Donghua Ketten Nr. | P<br>mm | h<br>mm | H<br>mm |
|--------------------|---------|---------|---------|
| 08BF71             | 12.70   | 9.75    | 15.05   |



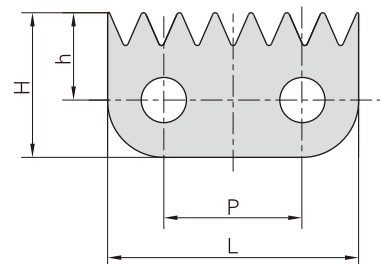
| Donghua Ketten Nr. | P<br>mm | h<br>mm | H<br>mm | L<br>mm |
|--------------------|---------|---------|---------|---------|
| C10B-5STCF1        | 15.875  | 11.3    | 18.8    | 30.9    |
| 10AF41-2           | 15.875  | 11.5    | 19.0    | 30.9    |
| 12B-911            | 19.050  | 11.9    | 20.0    | 35.0    |



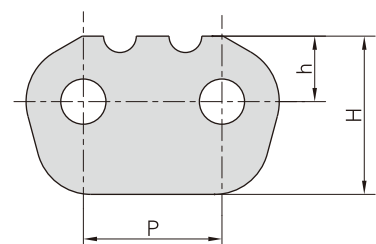
| Donghua Ketten Nr. | P<br>mm | h<br>mm | H<br>mm | L<br>mm |
|--------------------|---------|---------|---------|---------|
| C12B-9010          | 19.05   | 13.00   | 21.00   | 19.05   |
| C12B-940           | 19.05   | 13.20   | 22.30   | 19.75   |
| C60-2STCF1         | 19.05   | 12.95   | 21.95   | 19.80   |
| C60-2STCF2         | 19.05   | 13.30   | 22.40   | 19.80   |
| C12B-1-9010        | 19.05   | 12.50   | 20.50   | 19.05   |
| C16B-1160          | 25.40   | 17.00   | 27.50   | 25.40   |
| C16B-1161          | 25.40   | 17.00   | 27.50   | 25.40   |
| C16A-1160          | 25.40   | 18.00   | 29.50   | 25.40   |
| C16A-1-1160F2      | 25.40   | 18.00   | 29.50   | 25.40   |
| C24B-2STCF1        | 38.10   | 19.50   | 35.50   | 25.00   |



| Donghua Ketten Nr. | P<br>mm | h<br>mm | H<br>mm | L<br>mm |
|--------------------|---------|---------|---------|---------|
| 16B-1187           | 25.40   | 16.00   | 26.50   | 46.00   |

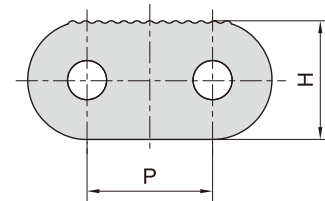


| Donghua Ketten Nr. | P<br>mm | h<br>mm | H<br>mm |
|--------------------|---------|---------|---------|
| 16BF45             | 25.40   | 12.00   | 29.00   |

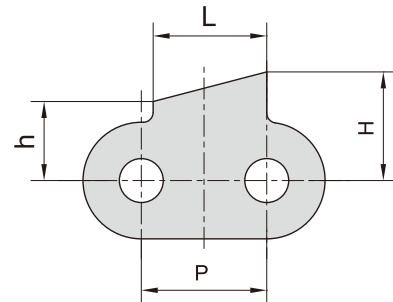


## Förderketten mit Verzahnten Laschen

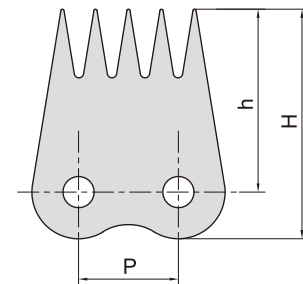
| Donghua Ketten Nr. | P<br>mm | H<br>mm |
|--------------------|---------|---------|
| C40-13STC          | 12.70   | 12.00   |



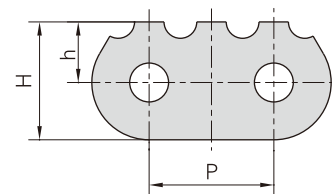
| Donghua Ketten Nr. | P<br>mm | h<br>mm | H<br>mm | L<br>mm |
|--------------------|---------|---------|---------|---------|
| 08BF128            | 12.70   | 8.00    | 11.00   | 11.50   |



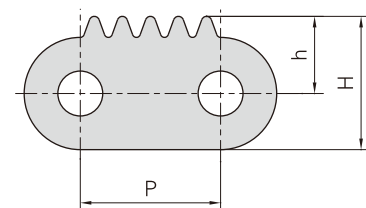
| Donghua Ketten Nr. | P<br>mm | h<br>mm | H<br>mm |
|--------------------|---------|---------|---------|
| 12AF91             | 19.05   | 34.90   | 43.80   |



| Donghua Ketten Nr. | P<br>mm | h<br>mm | H<br>mm |
|--------------------|---------|---------|---------|
| 60-911             | 19.05   | 9.25    | 18.00   |
| 60-912             | 19.05   | 9.20    | 17.95   |

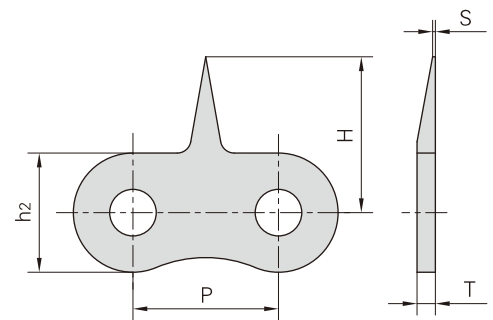


| Donghua Ketten Nr. | P<br>mm | h<br>mm | H<br>mm |
|--------------------|---------|---------|---------|
| LL1044F1           | 15.875  | 8.73    | 15.08   |

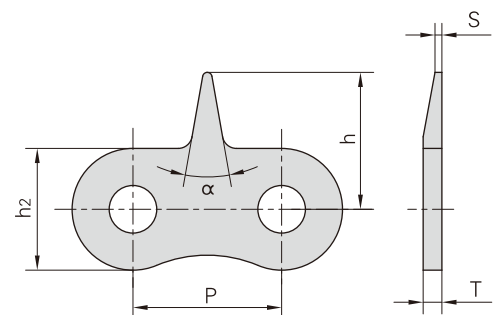


## Förderketten mit Verzahnten Laschen

| Donghua Ketten Nr. | P      | h <sub>2</sub> | H    | S   | T    |
|--------------------|--------|----------------|------|-----|------|
|                    | mm     | mm             | mm   | mm  | mm   |
| 08AF29             | 12.700 | 10.60          | 15.6 | –   | 1.50 |
| 08BF90             | 12.700 | 10.60          | 17.0 | 0.3 | 1.60 |
| 08B-1STCF15        | 12.700 | 10.20          | 17.0 | –   | 1.60 |
| 10AF2              | 15.875 | 13.00          | 17.0 | 0.3 | 2.03 |
| 10AF15             | 15.875 | 15.09          | 17.0 | –   | 2.03 |
| 10AF23             | 15.875 | 13.00          | 20.8 | 0.3 | 2.03 |
| 10AF48             | 15.875 | 13.00          | 16.9 | –   | 2.03 |
| 10BF50             | 15.875 | 13.70          | 17.0 | 0.3 | 1.70 |
| 10AF58             | 15.875 | 15.09          | 17.0 | –   | 2.03 |



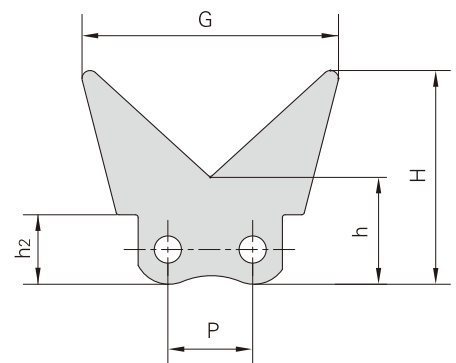
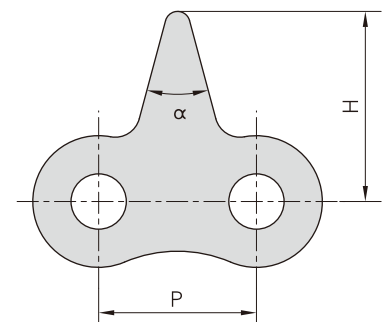
| Donghua Ketten Nr. | P     | h <sub>2</sub> | h    | T    | S   | α   |
|--------------------|-------|----------------|------|------|-----|-----|
|                    | mm    | mm             | mm   | mm   | mm  |     |
| 08BF25             | 12.70 | 10.6           | 15.6 | 1.60 | –   | 30° |
| 08BF29             | 12.70 | 10.6           | 14.5 | 1.60 | 0.8 | 30° |
| 08BF30             | 12.70 | 10.6           | 14.5 | 1.60 | 0.3 | 30° |
| 08BF35             | 12.70 | 10.6           | 21.5 | 1.60 | 0.6 | 30° |
| 08BF67             | 12.70 | 10.6           | 16.1 | 1.60 | 0.3 | 30° |
| 08BF195            | 12.70 | 10.6           | 14.5 | 1.60 | 0.4 | 30° |
| 08AF10             | 12.70 | 10.6           | 15.6 | 1.50 | –   | 30° |
| 12B-1STCF1         | 19.05 | 15.0           | 19.0 | 1.85 | –   | 30° |
| 12AF33             | 19.05 | 15.6           | 19.7 | 2.42 | 0.6 | 18° |





## Förderketten mit Verzahnten Laschen

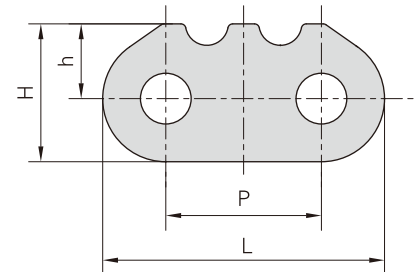
| Donghua Ketten Nr. | P      | H     | $\alpha$ |
|--------------------|--------|-------|----------|
|                    | mm     | mm    |          |
| 06BF39             | 9.525  | 11.00 | 30°      |
| 08AF10             | 12.700 | 15.60 | 30°      |
| 08BF30             | 12.700 | 14.50 | 30°      |
| 08BF38             | 12.700 | 14.60 | 40°      |
| 08BF5              | 12.700 | 15.30 | 30°      |
| 08BF51             | 12.700 | 14.00 | 50°      |
| 08BF56             | 12.700 | 14.40 | 30°      |
| 08BF86             | 12.700 | 15.00 | 50°      |
| 08BSSF11           | 12.700 | 14.60 | 40°      |
| 08A-1STCF10        | 12.700 | 13.80 | 30°      |
| 08AF66             | 12.700 | 17.10 | 45°      |
| 41-1STCF1          | 12.700 | 14.60 | 30°      |
| 08B-1STCF22        | 12.700 | 13.84 | 30°      |
| 08B-1STCF23        | 12.700 | 18.84 | 30°      |
| 08B-1STCF28        | 12.700 | 14.60 | 40°      |
| 08BF140            | 12.700 | 12.50 | 30°      |
| 08BF141            | 12.700 | 14.50 | 30°      |
| 10AF7              | 15.875 | 15.88 | 21°      |
| 10BF40             | 15.875 | 17.40 | 25°      |
| 10AF61             | 15.875 | 17.00 | 20°      |
| 10B-1STCF3         | 15.875 | 21.00 | 26°      |
| 10B-1STCF4         | 15.875 | 18.00 | 45°      |
| 12A-1STCF1         | 19.050 | 25.00 | 28°      |
| 12B-1STCF1         | 19.050 | 19.00 | 30°      |
| 12A-1STCF2         | 19.050 | 28.00 | 30°      |
| 16AF44             | 25.400 | 31.80 | 50°      |
| 16A-1STCF4         | 25.400 | 29.80 | 40°      |
| 16A-1STCF5         | 25.400 | 31.75 | 60°      |
| 20A-1STCF1         | 31.750 | 53.00 | 82.1°    |



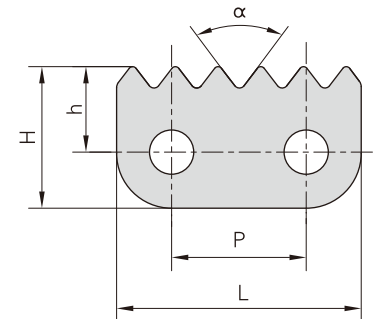
| Donghua Ketten Nr. | P      | H    | h    | h2   | G    |
|--------------------|--------|------|------|------|------|
|                    | mm     | mm   | mm   | mm   | mm   |
| 50F21              | 15.875 | 40.0 | 20.0 | 13.0 | 48.0 |

## Förderketten mit Verzahnten Laschen

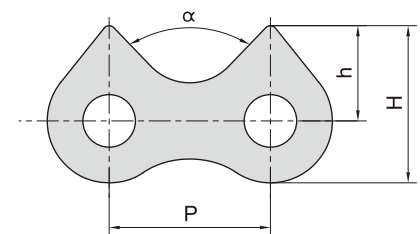
| Donghua Ketten Nr. | P     | L     | h    | H    |
|--------------------|-------|-------|------|------|
|                    | mm    | mm    | mm   | mm   |
| 16B-1180           | 25.40 | 46.00 | 12.2 | 22.5 |



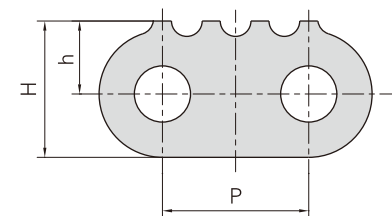
| Donghua Ketten Nr. | P     | L    | h    | H    | $\alpha$ |
|--------------------|-------|------|------|------|----------|
|                    | mm    | mm   | mm   | mm   |          |
| 25HF5-6STC         | 6.35  | 5.8  | 8.8  | 12.2 | 90°      |
| 16B-1185           | 25.40 | 46.0 | 16.0 | 26.5 | 75°      |
| 16B-6STC           | 25.40 | 46.0 | 16.0 | 26.5 | 73.4°    |



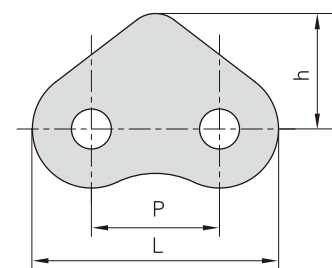
| Donghua Ketten Nr. | P     | h    | H     | $\alpha$ |
|--------------------|-------|------|-------|----------|
|                    | mm    | mm   | mm    |          |
| 16B-2STCF1         | 25.40 | 15.0 | 24.75 | 88°      |
| 20A-2STCF1         | 31.75 | 23.0 | 35.95 | 80°      |
| 20A-2STCF3         | 31.75 | 23.0 | 35.95 | 82°      |
| 32B-2STCF1         | 50.80 | 34.0 | 55.00 | 91.5°    |



| Donghua Ketten Nr. | P     | h     | H     |
|--------------------|-------|-------|-------|
|                    | mm    | mm    | mm    |
| 24B-1810           | 38.10 | 19.00 | 35.50 |
| 120F6              | 38.10 | 21.00 | 35.50 |

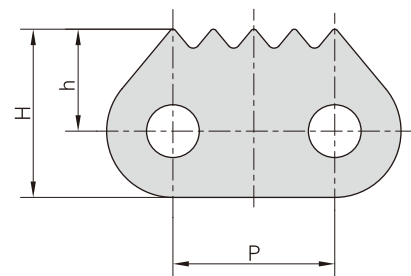


| Donghua Ketten Nr. | P     | L    | h     |
|--------------------|-------|------|-------|
|                    | mm    | mm   | mm    |
| 16BF5              | 25.40 | 48.8 | 22.90 |
| 16BF6              | 25.40 | 46.0 | 30.00 |

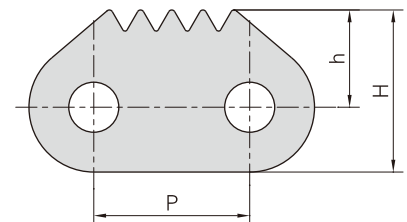


## Förderketten mit Verzahnten Laschen

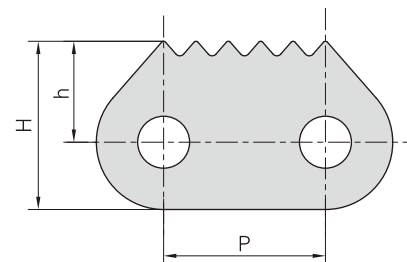
| Donghua Ketten Nr. | P     | h     | H     |
|--------------------|-------|-------|-------|
|                    | mm    | mm    | mm    |
| C12BF56-STC        | 19.05 | 13.00 | 22.00 |
| 16A-1171           | 25.40 | 16.00 | 26.40 |
| C16A-5PEP          | 25.40 | 17.40 | 29.00 |
| C16AF2             | 25.40 | 17.50 | 29.50 |
| C16A-5PEPF1        | 25.40 | 17.30 | 29.50 |
| C16BF2             | 25.40 | 18.70 | 29.20 |
| 16BF24             | 25.40 | 16.00 | 26.40 |
| 26BF29             | 25.40 | 15.90 | 26.40 |
| C16A-2-5PEPF1      | 25.40 | 17.30 | 29.50 |
| 16B-5STCF3         | 25.40 | 13.70 | 24.20 |
| 16B-5STCF4         | 25.40 | 13.90 | 24.40 |
| 16B-5STCF5         | 25.40 | 13.50 | 24.00 |
| C100-2-5STC        | 31.75 | 20.70 | 35.43 |
| C24B-1831          | 38.10 | 22.50 | 39.00 |
| 24A-1-STC          | 38.10 | 21.00 | 38.05 |



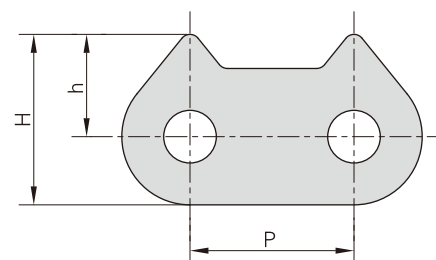
| Donghua Ketten Nr. | P     | h     | H     |
|--------------------|-------|-------|-------|
|                    | mm    | mm    | mm    |
| C20BF9             | 31.75 | 19.80 | 33.00 |



| Donghua Ketten Nr. | P     | h     | H     |
|--------------------|-------|-------|-------|
|                    | mm    | mm    | mm    |
| 20BF8              | 31.75 | 19.80 | 33.00 |
| 20B-1310           | 31.75 | 19.80 | 33.00 |
| 20B-6STCF1         | 31.75 | 16.50 | 30.00 |
| C24B-6STCF1        | 38.10 | 23.50 | 40.00 |

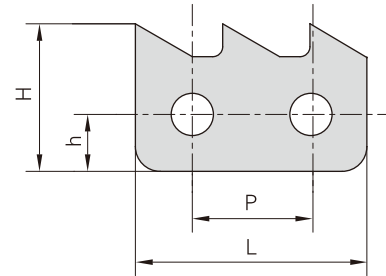


| Donghua Ketten Nr. | P     | h     | H     |
|--------------------|-------|-------|-------|
|                    | mm    | mm    | mm    |
| 20B-1350           | 31.75 | 19.80 | 33.00 |

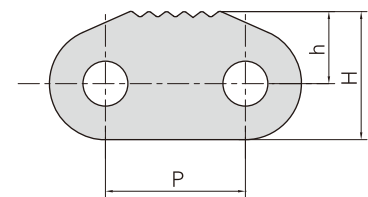


## Förderketten mit Verzahnten Laschen

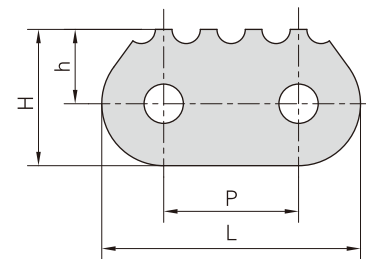
| Donghua Ketten Nr. | P     | L     | h     | H     |
|--------------------|-------|-------|-------|-------|
|                    | mm    | mm    | mm    | mm    |
| 20AF1              | 31.75 | 57.20 | 14.75 | 35.84 |



| Donghua Ketten Nr. | P     | h     | H     |
|--------------------|-------|-------|-------|
|                    | mm    | mm    | mm    |
| 20B-6STC           | 31.75 | 16.50 | 29.20 |

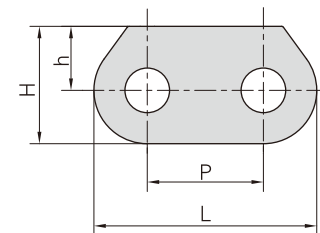


| Donghua Ketten Nr. | P     | L     | h    | H    |
|--------------------|-------|-------|------|------|
|                    | mm    | mm    | mm   | mm   |
| C20A-1-4STC        | 31.75 | 46.75 | 18.3 | 33.3 |
| 120-1802           | 38.10 | 73.10 | 21.0 | 38.5 |
| 24B-1809           | 38.10 | 73.10 | 21.0 | 38.5 |

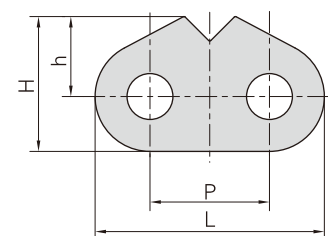


| Donghua Ketten Nr. | P     | L     | h    | H    |
|--------------------|-------|-------|------|------|
|                    | mm    | mm    | mm   | mm   |
| 24B-1805           | 38.10 | 73.10 | 21.0 | 38.5 |
| 24B-1807           | 38.10 | 73.10 | 25.5 | 43.0 |
| C24B-1820          | 38.10 | 73.10 | 21.0 | 38.5 |

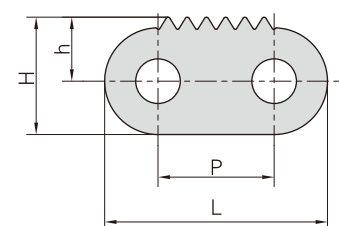
24B-1805



24B-1807

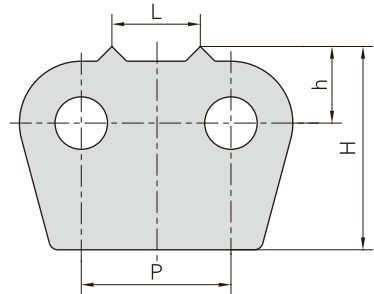


C24B-1820

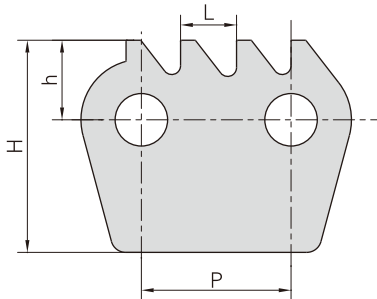


## Förderketten mit Verzahnten Laschen

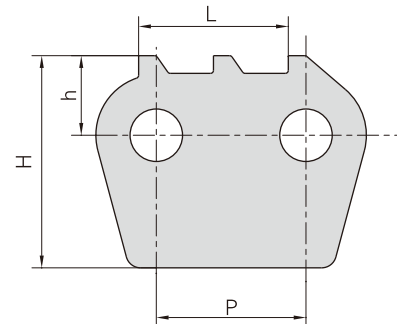
| Donghua Ketten Nr. | P     | h     | H     | L     |
|--------------------|-------|-------|-------|-------|
|                    | mm    | mm    | mm    | mm    |
| 32BF4              | 50.80 | 26.00 | 70.00 | 30.00 |



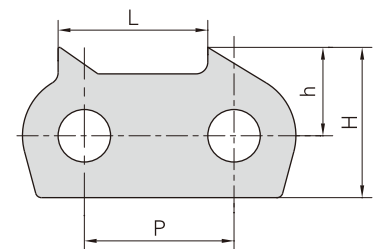
| Donghua Ketten Nr. | P     | h     | H     | L     |
|--------------------|-------|-------|-------|-------|
|                    | mm    | mm    | mm    | mm    |
| 32B-1875           | 50.80 | 27.00 | 72.00 | 19.00 |
| 32BF20-1875        | 50.80 | 30.00 | 74.00 | 13.50 |



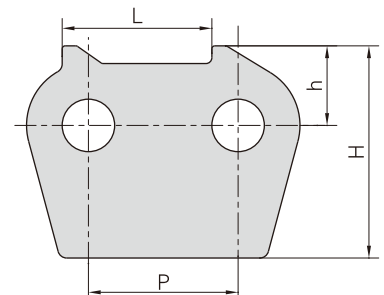
| Donghua Ketten Nr. | P     | h     | H     | L     |
|--------------------|-------|-------|-------|-------|
|                    | mm    | mm    | mm    | mm    |
| 32B-1876           | 50.80 | 27.00 | 72.00 | 50.80 |



| Donghua Ketten Nr. | P     | h     | H     | L     |
|--------------------|-------|-------|-------|-------|
|                    | mm    | mm    | mm    | mm    |
| 32B-1877           | 50.80 | 30.00 | 51.00 | 50.80 |

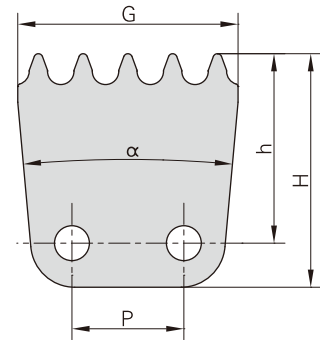


| Donghua Ketten Nr. | P     | h     | H     | L     |
|--------------------|-------|-------|-------|-------|
|                    | mm    | mm    | mm    | mm    |
| 32B-1878           | 50.80 | 27.00 | 72.00 | 50.80 |

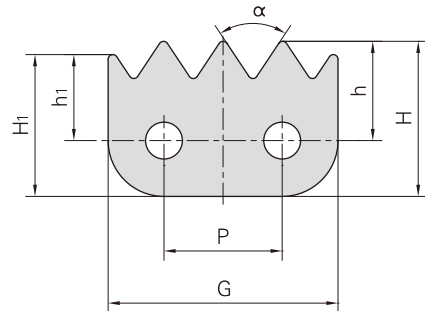


## Förderketten mit Verzahnten Laschen

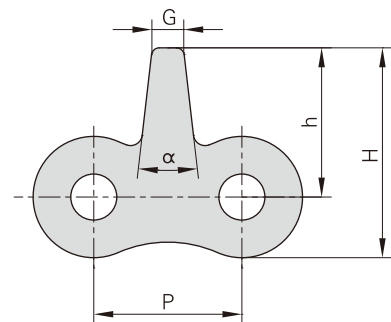
| Donghua Ketten Nr. | P      | G     | h     | H     | $\alpha$ |
|--------------------|--------|-------|-------|-------|----------|
|                    | mm     | mm    | mm    | mm    |          |
| 08A-5STCF7         | 12.700 | 25.00 | 21.50 | 26.50 | 10°      |
| 08B-5STCF1         | 12.700 | 25.00 | 20.00 | 25.00 | 11°      |
| 08B-5STCF5         | 12.700 | 25.20 | 21.00 | 26.00 | 11°      |



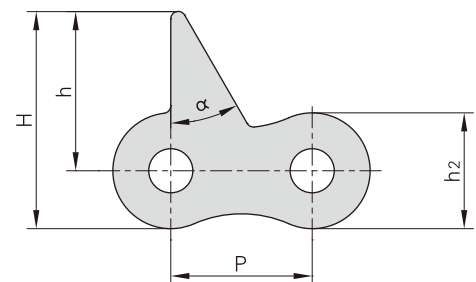
| Donghua Ketten Nr. | P    | G    | h <sub>1</sub> | H <sub>1</sub> | h     | H     | $\alpha$ |
|--------------------|------|------|----------------|----------------|-------|-------|----------|
|                    | mm   | mm   | mm             | mm             | mm    | mm    |          |
| 08A-5STCF1         | 12.7 | 24.7 | 9.25           | 15.25          | 10.65 | 16.65 | 67°      |



| Donghua Ketten Nr. | P      | G    | h     | H     | $\alpha$ |
|--------------------|--------|------|-------|-------|----------|
|                    | mm     | mm   | mm    | mm    |          |
| 12A-1STCF6         | 19.050 | 4.00 | 19.20 | 27.00 | 15°      |

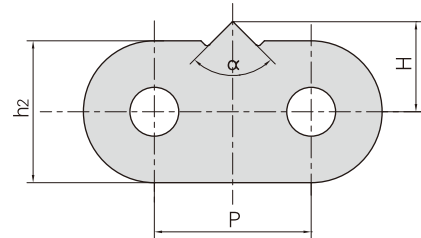


| Donghua Ketten Nr. | P      | h     | h <sub>2</sub> | H     | $\alpha$ |
|--------------------|--------|-------|----------------|-------|----------|
|                    | mm     | mm    | mm             | mm    |          |
| 12A-1STCF4         | 19.050 | 24.20 | 15.60          | 32.00 | 30°      |

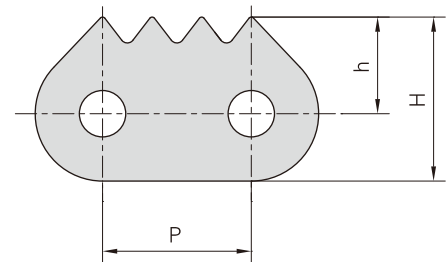


## Förderketten mit Verzahnten Laschen

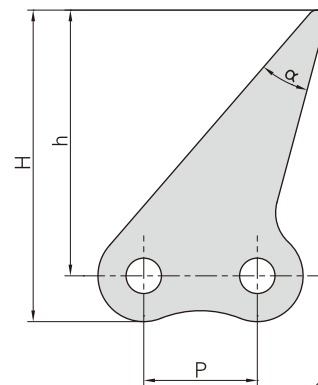
| Donghua Ketten Nr. | P      | h <sub>2</sub> | H     | α   |
|--------------------|--------|----------------|-------|-----|
|                    | mm     | mm             | mm    |     |
| 80-STCF1           | 25.400 | 23.00          | 14.70 | 90° |



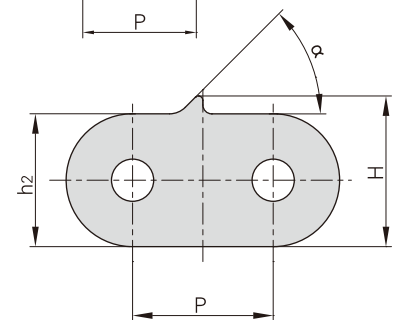
| Donghua Ketten Nr. | P      | h     | H     |
|--------------------|--------|-------|-------|
|                    | mm     | mm    | mm    |
| C16A-2-4STCF1      | 25.400 | 16.50 | 28.00 |
| 16B-2-1172F1       | 25.400 | 15.00 | 25.50 |
| C20A-1-4STCF1      | 31.750 | 20.50 | 35.50 |



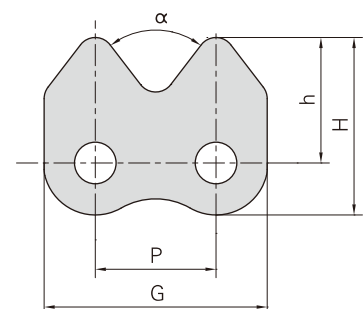
| Donghua Ketten Nr. | P     | h     | H     | α   |
|--------------------|-------|-------|-------|-----|
|                    | mm    | mm    | mm    |     |
| 16A-1STCF3         | 25.40 | 62.00 | 72.25 | 26° |



| Donghua Ketten Nr. | P     | h <sub>2</sub> | H     | α   |
|--------------------|-------|----------------|-------|-----|
|                    | mm    | mm             | mm    |     |
| C20A-2-1STC        | 31.75 | 30.00          | 35.43 | 45° |

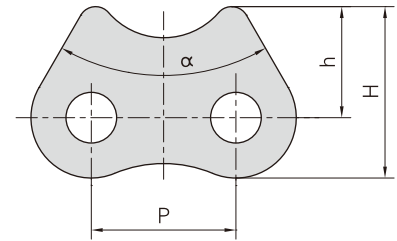


| Donghua Ketten Nr. | P    | G     | h    | H     | α   |
|--------------------|------|-------|------|-------|-----|
|                    | mm   | mm    | mm   | mm    |     |
| 06B-2STCF2         | 9.42 | 17.60 | 9.90 | 14.00 | 75° |

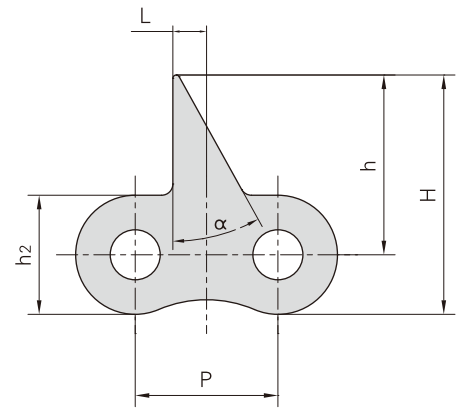


## Förderketten mit Verzahnten Laschen

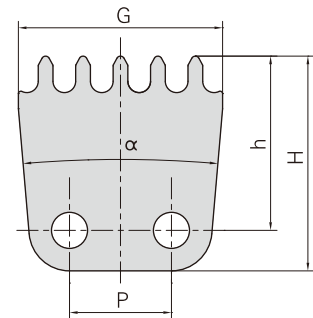
| Donghua Ketten Nr. | P     | h    | H     | $\alpha$ |
|--------------------|-------|------|-------|----------|
|                    | mm    | mm   | mm    |          |
| 08B-2STCF1         | 12.70 | 9.80 | 15.10 | 60°      |



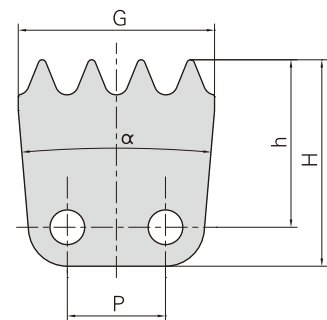
| Donghua Ketten Nr. | P     | h <sub>2</sub> | h     | H     | L    | $\alpha$ |
|--------------------|-------|----------------|-------|-------|------|----------|
|                    | mm    | mm             | mm    | mm    | mm   |          |
| 08B-1STCF30        | 12.70 | 10.60          | 16.00 | 21.30 | 3.00 | 60°      |



| Donghua Ketten Nr. | P     | G     | h     | H     | $\alpha$ |
|--------------------|-------|-------|-------|-------|----------|
|                    | mm    | mm    | mm    | mm    |          |
| 08B-5STCF3         | 12.70 | 25.20 | 21.50 | 26.50 | 11°      |
| 08B-5STCF4         | 12.70 | 25.20 | 21.50 | 26.50 | 10°      |



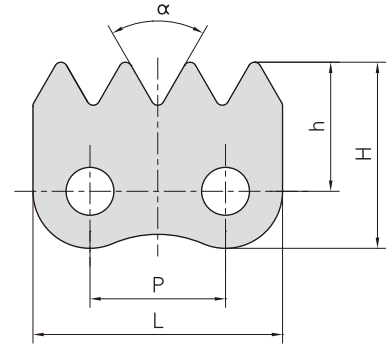
| Donghua Ketten Nr. | P     | G     | h     | H     | $\alpha$ |
|--------------------|-------|-------|-------|-------|----------|
|                    | mm    | mm    | mm    | mm    |          |
| 08B-4STCF2         | 12.70 | 25.20 | 21.50 | 26.50 | 9.8°     |



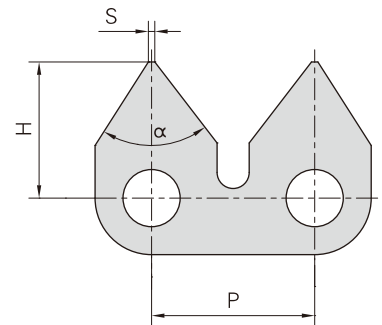


## Förderketten mit Verzahnten Laschen

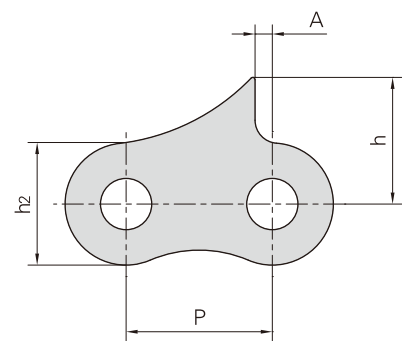
| Donghua Ketten Nr. | P     | L     | h     | H     | $\alpha$ |
|--------------------|-------|-------|-------|-------|----------|
|                    | mm    | mm    | mm    | mm    |          |
| 08B-4STCF1         | 12.70 | 23.30 | 12.00 | 17.30 | 60°      |



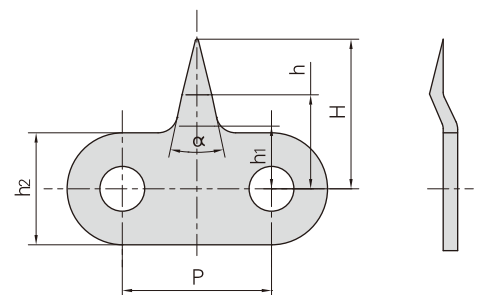
| Donghua Ketten Nr. | P     | H     | S    | $\alpha$ |
|--------------------|-------|-------|------|----------|
|                    | mm    | mm    | mm   |          |
| 08B-2STCF2         | 12.70 | 10.60 | 0.50 | 30°      |



| Donghua Ketten Nr. | P     | h2    | h     | A    |
|--------------------|-------|-------|-------|------|
|                    | mm    | mm    | mm    | mm   |
| 08BF161            | 12.70 | 10.60 | 11.00 | 1.50 |

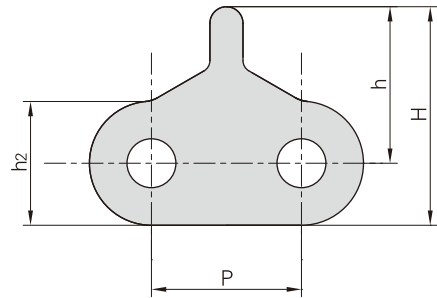


| Donghua Ketten Nr. | P      | h1   | h2    | h     | H     | $\alpha$ |
|--------------------|--------|------|-------|-------|-------|----------|
|                    | mm     | mm   | mm    | mm    | mm    |          |
| C12B-1STCF3        | 19.050 | 8.00 | 14.30 | 12.00 | 20.00 | 24°      |

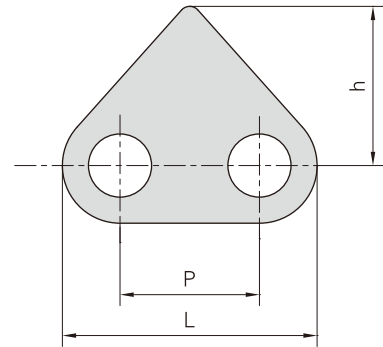


## Förderketten mit Verzahnten Laschen

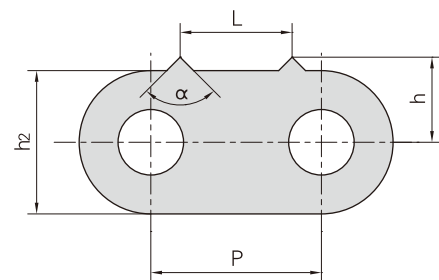
| Donghua Ketten Nr. | P     | h <sub>2</sub> | h     | H     |
|--------------------|-------|----------------|-------|-------|
|                    | mm    | mm             | mm    | mm    |
| C16B-1STCF4        | 25.40 | 21.00          | 26.50 | 37.00 |



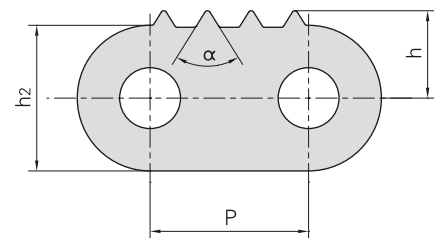
| Donghua Ketten Nr. | P      | L     | h     |
|--------------------|--------|-------|-------|
|                    | mm     | mm    | mm    |
| 16B-1STCF3         | 25.400 | 46.00 | 30.00 |



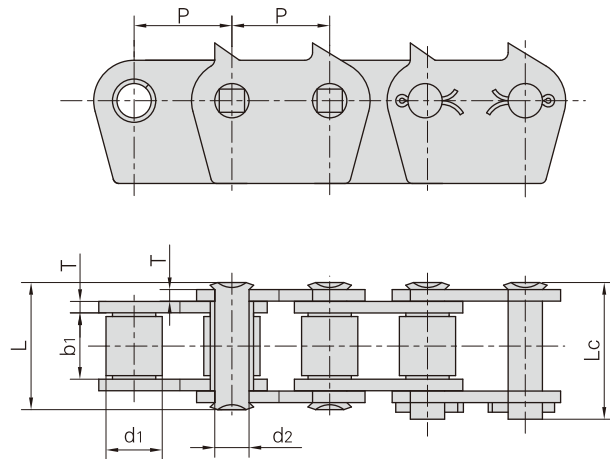
| Donghua Ketten Nr. | P     | h <sub>2</sub> | h     | L     | α   |
|--------------------|-------|----------------|-------|-------|-----|
|                    | mm    | mm             | mm    | mm    |     |
| 24B-2STC           | 38.10 | 32.00          | 19.00 | 25.00 | 90° |



| Donghua Ketten Nr. | P     | h <sub>2</sub> | h     | α   |
|--------------------|-------|----------------|-------|-----|
|                    | mm    | mm             | mm    |     |
| C24BSA0F1-4STC     | 38.10 | 35.00          | 21.00 | 64° |

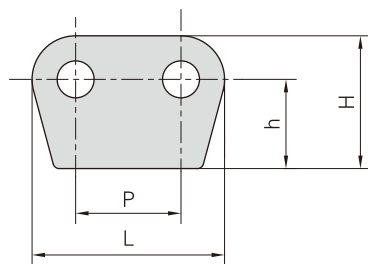


## Förderketten mit Verzahnten Laschen

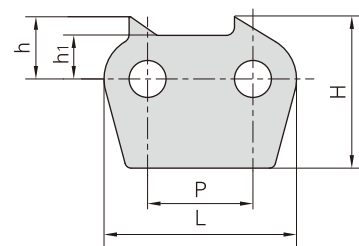


| Donghua Ketten Nr. | Teilung | Rollen-durchmesser | Lichte Weite    | Bolzen-durchmesser | Bolzenlänge    |                 | Laschen-dicke  | Bruchkraft         | Durchschnittliche Bruchkraft | Gewicht pro Meter |
|--------------------|---------|--------------------|-----------------|--------------------|----------------|-----------------|----------------|--------------------|------------------------------|-------------------|
|                    | P<br>mm | d1<br>max<br>mm    | b1<br>min<br>mm | d2<br>max<br>mm    | L<br>max<br>mm | Lc<br>max<br>mm | T<br>max<br>mm | Q<br>min<br>kN/lbf | Q <sub>0</sub><br>kN         | q<br>kg/m         |
| 32B-1-1872         | 50.8    | 29.21              | 33.0            | 17.81              | 66.0           | 71.0            | 6.0            | 250.0/56818        | 275.0                        | 13.54             |

32B-1872

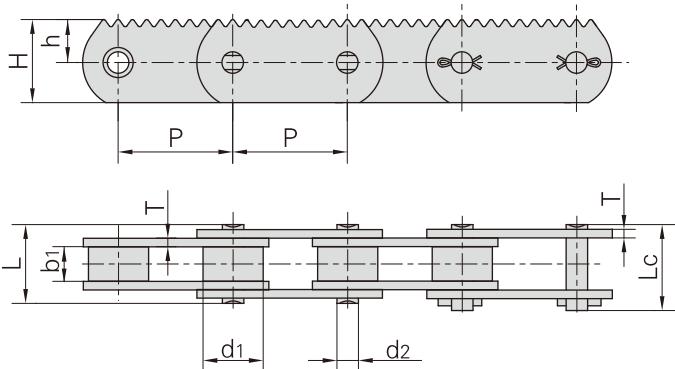


32B-1874  
32B-1900F1  
32BF15  
C32B-1874F1



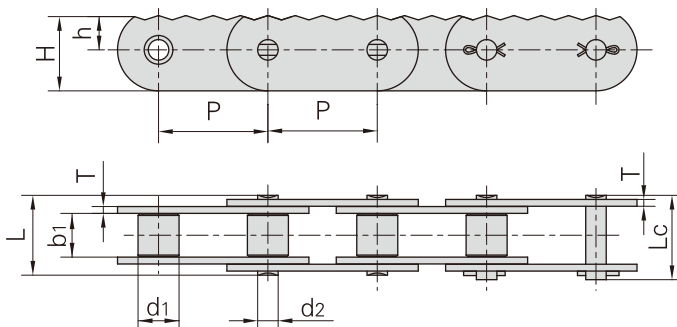
| Donghua Ketten Nr. | P    | L    | h <sub>1</sub> | h    | H    |
|--------------------|------|------|----------------|------|------|
|                    | mm   | mm   | mm             | mm   | mm   |
| 32B-1872           | 50.8 | 92.8 | -              | 43.0 | 64.0 |
| 32B-1874           | 50.8 | 92.8 | 21.0           | 30.0 | 73.0 |
| 32B-1900F1         | 50.8 | 92.8 | 21.0           | 30.0 | 75.0 |
| 32BF15             | 50.8 | 91.8 | 20.0           | 45.0 | 75.0 |
| C32B-1874F1        | 50.8 | 92.8 | 21.0           | 40.0 | 83.0 |

## Förderketten mit Verzahnten Laschen



| Donghua Ketten Nr. | P    | h  | H  |
|--------------------|------|----|----|
|                    | mm   | mm | mm |
| P80                | 80.0 | 30 | 58 |

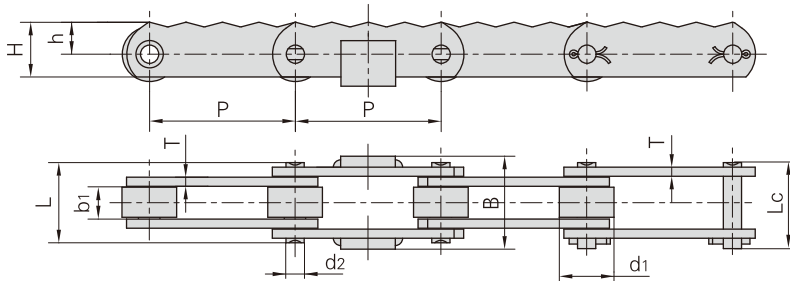
| Donghua Ketten Nr. | Teilung | Rollen-durchmesser | Lichte Weite | Bolzen-durchmesser | Bolzenlänge |        | Laschen-dicke | Bruchkraft  | Durchschnittliche Bruchkraft | Gewicht pro Meter |
|--------------------|---------|--------------------|--------------|--------------------|-------------|--------|---------------|-------------|------------------------------|-------------------|
|                    | P       | d1 max             | b1 min       | d2 max             | L max       | Lc max | T max         | Q min       | Q <sub>0</sub>               | q                 |
|                    | mm      | mm                 | mm           | mm                 | mm          | mm     | mm            | kN/lbf      | kN                           | kg/m              |
| P80                | 80.0    | 42.0               | 24.0         | 15.0               | 55.0        | 60.0   | 6.0           | 250.0/56818 | 275.0                        | 11.3              |



| Donghua Ketten Nr. | P    | h  | H  |
|--------------------|------|----|----|
|                    | mm   | mm | mm |
| P80F3              | 80.0 | 25 | 55 |
| P80F32             | 80.0 | 20 | 40 |

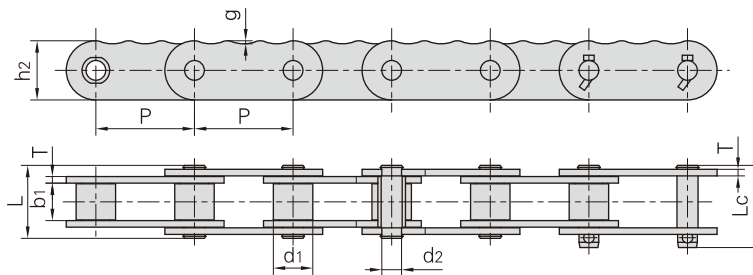
| Donghua Ketten Nr. | Teilung | Rollen-durchmesser | Lichte Weite | Bolzen-durchmesser | Bolzenlänge |        | Laschen-dicke | Bruchkraft  | Durchschnittliche Bruchkraft | Gewicht pro Meter |
|--------------------|---------|--------------------|--------------|--------------------|-------------|--------|---------------|-------------|------------------------------|-------------------|
|                    | P       | d1 max             | b1 min       | d2 max             | L max       | Lc max | T max         | Q min       | Q <sub>0</sub>               | q                 |
|                    | mm      | mm                 | mm           | mm                 | mm          | mm     | mm            | kN/lbf      | kN                           | kg/m              |
| P80F3              | 80.0    | 30.0               | 32.0         | 15.0               | 58.6        | 62.6   | 5.0           | 98.0/20909  | 107.0                        | 9.12              |
| P80F32             | 80.0    | 30.0               | 30.0         | 15.0               | 63.0        | 72.0   | 6.0           | 112.0/25194 | 123.2                        | 7.28              |

## Förderketten mit Verzahnten Laschen

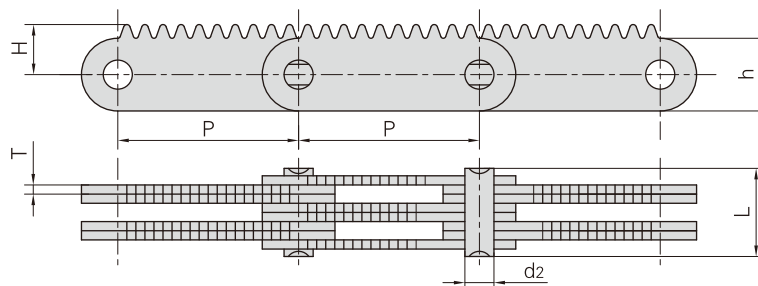


| Donghua Ketten Nr. | P    | h    | H    | B  |
|--------------------|------|------|------|----|
|                    | mm   | mm   | mm   | mm |
| P80F2              | 80.0 | 17.5 | 30.0 | 51 |

| Donghua Ketten Nr. | Teilung | Rollen-durchmesser | Lichte Weite | Bolzen-durchmesser | Bolzenlänge |        | Laschen-dicke | Bruchkraft  | Durchschnittliche Bruchkraft | Gewicht pro Meter |
|--------------------|---------|--------------------|--------------|--------------------|-------------|--------|---------------|-------------|------------------------------|-------------------|
|                    | P       | d1 max             | b1 min       | d2 max             | L max       | Lc max | T max         | Q min       | Q0                           | q                 |
|                    | mm      | mm                 | mm           | mm                 | mm          | mm     | mm            | kN/lbf      | kN                           | kg/m              |
| P80F2              | 80.0    | 30.0               | 18.0         | 10.0               | 44.6        | 48.3   | 5.0           | 61.74/14030 | 70.0                         | 4.15              |

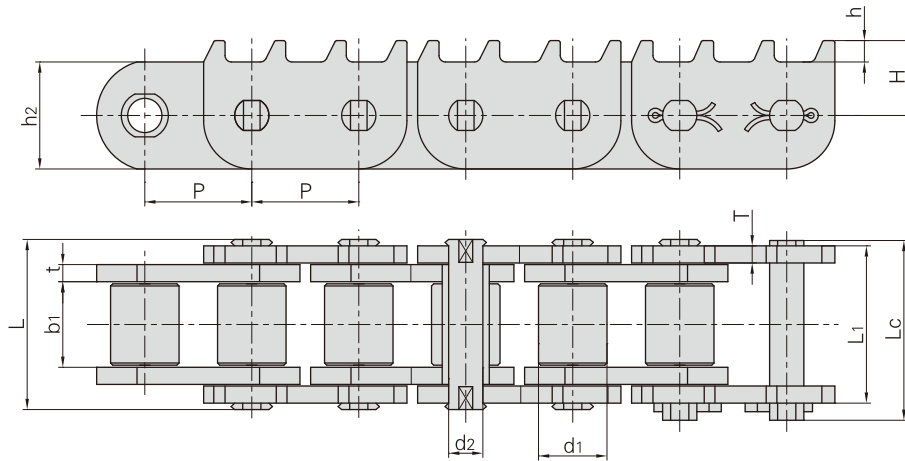


| Donghua Ketten Nr. | Teilung | Rollen-durchmesser | Lichte Weite | Bolzen-durchmesser | Bolzenlänge |        | Laschen-dimensionen |     | Laschen-dicke | Gewicht pro Meter |
|--------------------|---------|--------------------|--------------|--------------------|-------------|--------|---------------------|-----|---------------|-------------------|
|                    | P       | d1 max             | b1 min       | d2 max             | L max       | Lc max | h2 max              | g   | T max         | Q min             |
|                    | mm      | mm                 | mm           | mm                 | mm          | mm     | mm                  | mm  | mm            | kN/lbf            |
| P150F77            | 150.0   | 60.0               | 57.0         | 30.0               | 114.0       | 128.0  | 90.0                | 4.6 | 10.0          | 666.4/149812      |



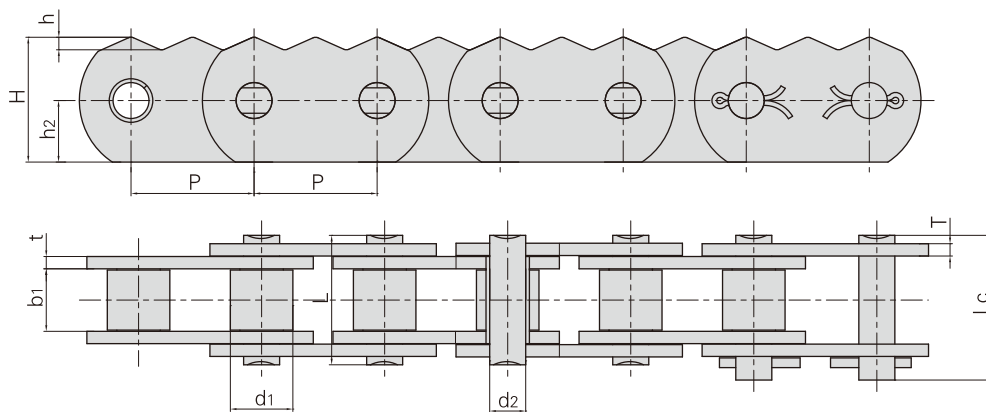
| Donghua Ketten Nr. | Teilung | Laschen-anordnung | Bolzen-durchmesser | Bolzen-länge | Laschen-dimensionen |       | Abstand Mitte Loch zu Zahn | Bruchkraft | Gewicht pro Meter |
|--------------------|---------|-------------------|--------------------|--------------|---------------------|-------|----------------------------|------------|-------------------|
|                    | P       |                   | d2 max             | L max        | h max               | T max | H max                      | Q min      | q                 |
|                    | mm      |                   | mm                 | mm           | mm                  | mm    | mm                         | kN/lbf     | kg/m              |
| F3144F1            | 31.60   | 4 × 4             | 5.08               | 16.1         | 12.7                | 1.6   | 8.75                       | 40.0/8992  | 0.942             |
| F2544F1            | 25.28   | 4 × 4             | 5.08               | 16.1         | 12.7                | 1.6   | 8.75                       | 40.0/8992  | 0.987             |

## Förderketten mit Verzahnten Laschen



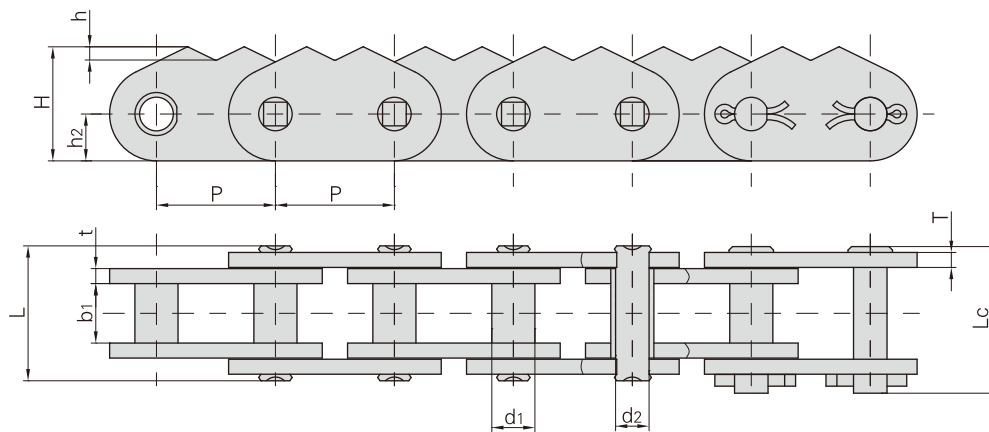
| Donghua Ketten Nr. | Teilung | Rollen-durchmesser | Lichte Weite | Bolzen-durchmesser | Bolzenlänge |        |        | Laschendimensionen |         |      |      | Bruchkraft  | Gewicht pro Meter |
|--------------------|---------|--------------------|--------------|--------------------|-------------|--------|--------|--------------------|---------|------|------|-------------|-------------------|
|                    | P       | d1 max             | b1 min       | d2 max             | L max       | Lc max | L1 max | h2 max             | t/T max | h    | H    | Q min       | q                 |
|                    | mm      | mm                 | mm           | mm                 | mm          | mm     | mm     | mm                 | mm      | mm   | mm   | kN/lbf      | kg/m              |
| P50F19             | 50.0    | 32.0               | 40.0         | 16.0               | 79.5        | 84.0   | -      | 50.0               | 8.0     | 10.0 | 35.0 | 260.0/58448 | 16.40             |
| *P50.8F54-B        | 50.8    | 32.0               | 42.0         | 16.0               | -           | -      | 75.2   | 51.0               | 8.0     | 8.5  | 34.0 | 107.8/24233 | 16.90             |

\*Buchsenketten: d1 bezeichnet in der Tabelle den Außendurchmesser der Buchse

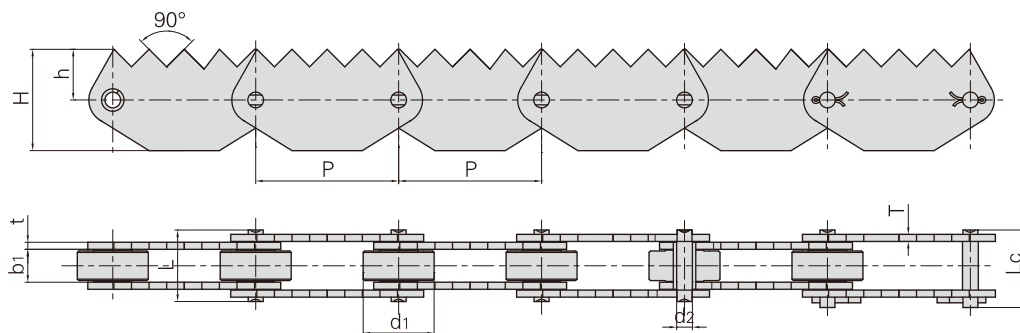


| Donghua Ketten Nr. | Teilung | Rollen-durchmesser | Lichte Weite | Bolzen-durchmesser | Bolzenlänge |        | Laschendimensionen |         |     |      | Bruchkraft  | Gewicht pro Meter |
|--------------------|---------|--------------------|--------------|--------------------|-------------|--------|--------------------|---------|-----|------|-------------|-------------------|
|                    | P       | d1 max             | b1 min       | d2 max             | L max       | Lc max | h2 max             | t/T max | h   | H    | Q min       | q                 |
|                    | mm      | mm                 | mm           | mm                 | mm          | mm     | mm                 | mm      | mm  | mm   | kN/lbf      | kg/m              |
| P50-3STC           | 50.0    | 25.4               | 25.40        | 14.63              | 53.4        | 57.8   | 25.0               | 5.0     | 5.0 | 50.0 | 120.0/26976 | 8.55              |
| P50F49-3STC        | 50.0    | 25.4               | 25.40        | 14.63              | 53.4        | 57.8   | 25.0               | 5.0     | 5.1 | 50.7 | 120.0/26976 | 8.60              |

## Förderketten mit Verzahnten Laschen

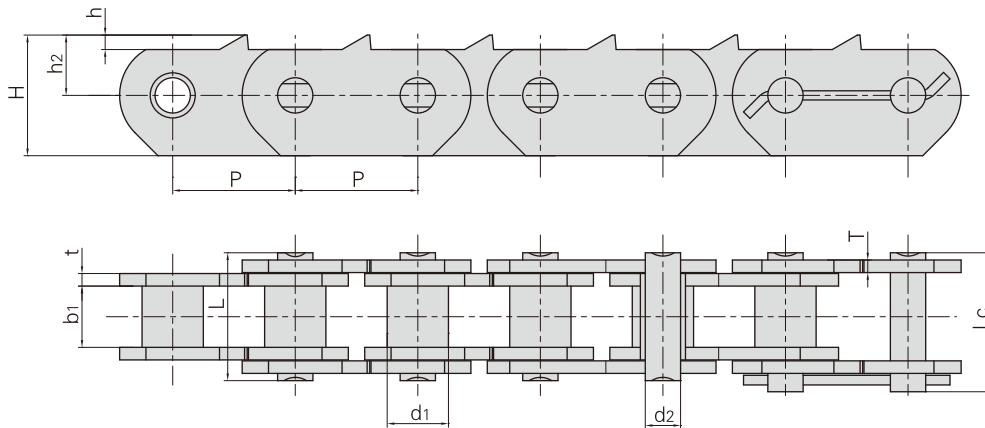


| Donghua Ketten Nr. | Teilung | Rollen-durchmesser | Lichte Weite | Bolzen-durchmesser | Bolzenlänge |        | Laschendimensionen |         |     | Bruchkraft | Gewicht pro Meter |      |
|--------------------|---------|--------------------|--------------|--------------------|-------------|--------|--------------------|---------|-----|------------|-------------------|------|
|                    | P       | d1 max             | b1 min       | d2 max             | L max       | Lc max | h2 max             | t/T max | h   | H          | Q min             | q    |
|                    | mm      | mm                 | mm           | mm                 | mm          | mm     | mm                 | mm      | mm  | mm         | kN/lbf            | kg/m |
| P50.8F60-2STC-B    | 50.8    | 18.4               | 25.40        | 14.27              | 58.2        | 63.4   | 20.0               | 6.4     | 5.7 | 48.7       | 200.0/44960       | 8.30 |

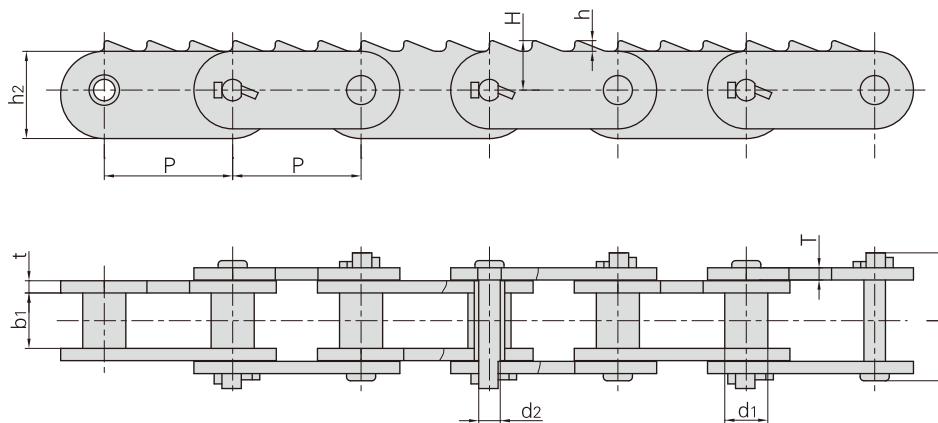


| Donghua Ketten Nr. | Teilung | Rollen-durchmesser | Lichte Weite | Bolzen-durchmesser | Bolzenlänge |        | Laschendimensionen |      |      | Bruchkraft | Gewicht pro Meter |
|--------------------|---------|--------------------|--------------|--------------------|-------------|--------|--------------------|------|------|------------|-------------------|
|                    | P       | d1 max             | b1 min       | d2 max             | L max       | Lc max | t/T max            | h    | H    | Q min      | q                 |
|                    | mm      | mm                 | mm           | mm                 | mm          | mm     | mm                 | mm   | mm   | kN/lbf     | kg/m              |
| P50.8F20           | 50.8    | 25.0               | 11.70        | 5.60               | 25.4        | 28.0   | 2.5                | 18.0 | 36.0 | 24.0/5395  | 2.25              |

## Förderketten mit Verzahnten Laschen



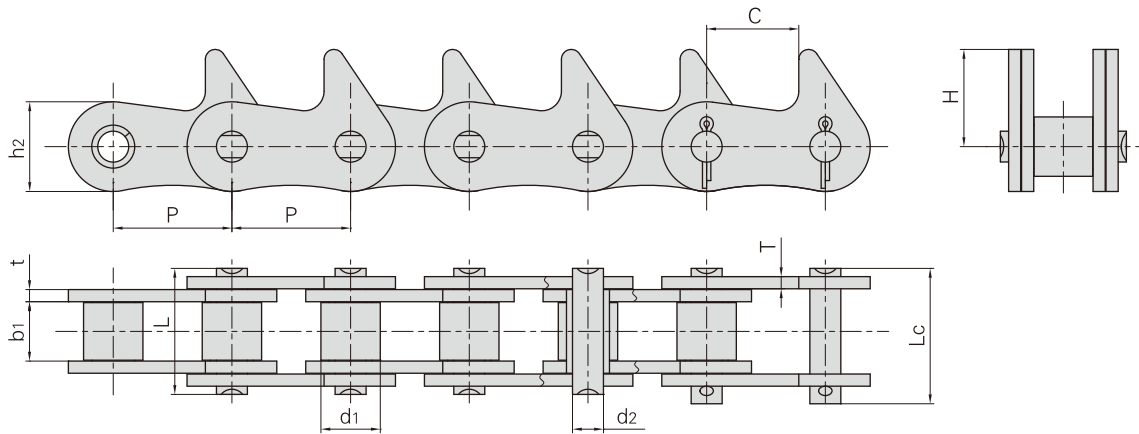
| Donghua Ketten Nr. | Teilung | Rollen-durchmesser | Lichte Weite | Bolzen-durchmesser | Bolzenlänge |        | Laschendimensionen |     |      | Bruchkraft | Gewicht pro Meter |      |
|--------------------|---------|--------------------|--------------|--------------------|-------------|--------|--------------------|-----|------|------------|-------------------|------|
|                    | P       | d1 max             | b1 min       | d2 max             | L max       | Lc max | t/T max            | h   | h2   | H          | Q min             | q    |
|                    | mm      | mm                 | mm           | mm                 | mm          | mm     | mm                 | mm  | mm   | mm         | kN/lbf            | kg/m |
| P50.8F11           | 50.8    | 25.0               | 25.40        | 14.63              | 52.8        | 57.1   | 5.2                | 6.0 | 25.0 | 50.0       | 145.0/32596       | 8.23 |



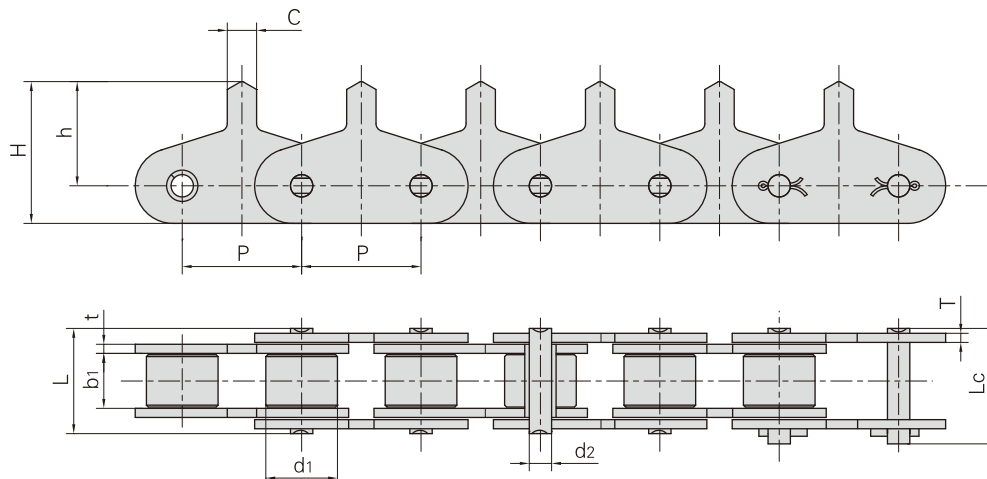
| Donghua Ketten Nr. | Teilung | Rollen-durchmesser | Lichte Weite | Bolzen-durchmesser | Bolzenlänge |         | Laschendimensionen |     |      | Bruchkraft  | Gewicht pro Meter |
|--------------------|---------|--------------------|--------------|--------------------|-------------|---------|--------------------|-----|------|-------------|-------------------|
|                    | P       | d1 max             | b1 min       | d2 max             | L max       | t/T max | h2                 | h   | H    | Q min       | q                 |
|                    | mm      | mm                 | mm           | mm                 | mm          | mm      | mm                 | mm  | mm   | kN/lbf      | kg/m              |
| P66.26F3-3STC      | 66.26   | 22.22              | 28.60        | 11.10              | 42.2        | 6.4     | 45.0               | 5.5 | 25.5 | 110.0/24728 | 8.02              |



## Förderketten mit Verzahnten Laschen

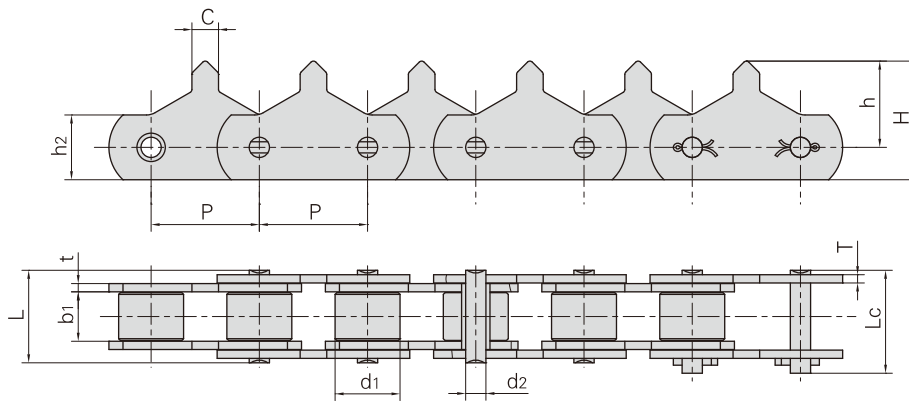


| Donghua Ketten Nr. | Teilung | Rollen-durchmesser | Lichte Weite | Bolzen-durchmesser | Bolzen-länge |        | Laschendimensionen |      |       |      | Bruchkraft | Gewicht pro Meter |
|--------------------|---------|--------------------|--------------|--------------------|--------------|--------|--------------------|------|-------|------|------------|-------------------|
|                    | P       | d1 max             | b1 min       | d2 max             | L max        | Lc max | t/T max            | h2   | C     | H    | Q min      | q                 |
|                    | mm      | mm                 | mm           | mm                 | mm           | mm     | mm                 | mm   | mm    | mm   | kN/lbf     | kg/m              |
| P31.75F18-1STC     | 31.75   | 15.88              | 15.88        | 11.1               | 34.0         | 36.5   | 3.25               | 24.0 | 24.65 | 26.0 | 60.0/13488 | 3.22              |
| P38.1F29           | 38.10   | 15.88              | 15.88        | 11.1               | 34.0         | 36.5   | 3.25               | 24.0 | 24.65 | 26.0 | 60.0/13489 | 2.56              |

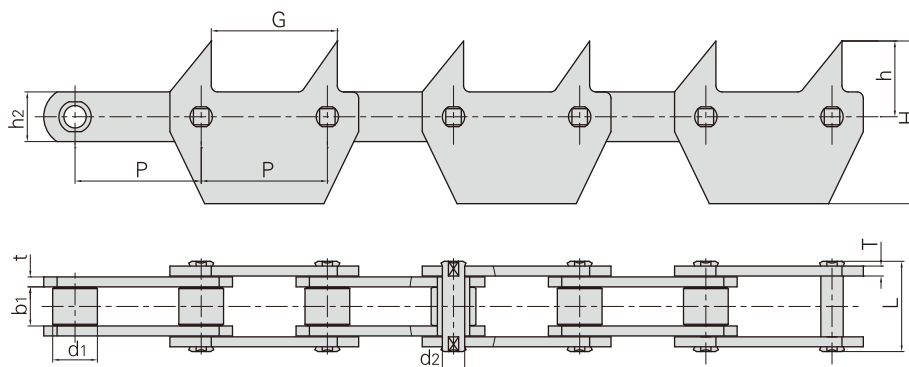


| Donghua Ketten Nr. | Teilung | Rollen-durchmesser | Lichte Weite | Bolzen-durchmesser | Bolzenlänge |        | Laschendimensionen |     |      |      | Bruchkraft | Gewicht pro Meter |
|--------------------|---------|--------------------|--------------|--------------------|-------------|--------|--------------------|-----|------|------|------------|-------------------|
|                    | P       | d1 max             | b1 min       | d2 max             | L max       | Lc max | t/T max            | C   | h    | H    | Q min      | q                 |
|                    | mm      | mm                 | mm           | mm                 | mm          | mm     | mm                 | mm  | mm   | mm   | kN/lbf     | kg/m              |
| P31.75F2           | 31.75   | 19.05              | 14.50        | 5.94               | 27.5        | 30.2   | 2.42               | 7.8 | 27.7 | 37.7 | 31.8/7149  | 15.89             |

## Förderketten mit Verzahnten Laschen

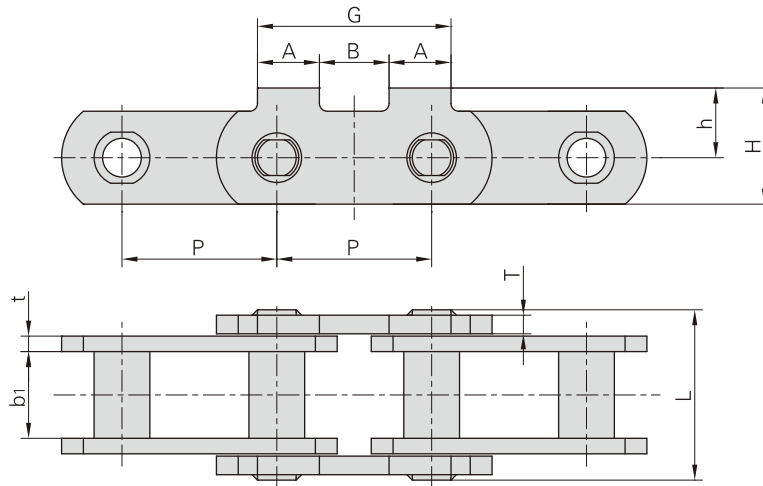


| Donghua Ketten Nr. | Teilung | Rollen-durchmesser | Lichte Weite | Bolzen-durchmesser | Bolzenlänge |        | Laschendimensionen |      |      |      |      | Bruchkraft | Gewicht pro Meter |
|--------------------|---------|--------------------|--------------|--------------------|-------------|--------|--------------------|------|------|------|------|------------|-------------------|
|                    | P       | d1 max             | b1 min       | d2 max             | L max       | Lc max | t/T max            | h2   | C    | h    | H    | Q min      | q                 |
|                    | mm      | mm                 | mm           | mm                 | mm          | mm     | mm                 | mm   | mm   | mm   | mm   | kN/lbf     | kg/m              |
| P31.75F14-1STC     | 31.75   | 19.05              | 5.94         | 5.94               | 27.5        | 30.2   | 2.42               | 19.0 | 7.8  | 25.3 | 34.8 | 31.8/7149  | 2.46              |
| P31.75F3           | 31.75   | 12.07              | 11.68        | 5.74               | 27.2        | 30.0   | 3.00               | 18.0 | 10.3 | 25.3 | 34.3 | 30.0/6744  | 2.46              |

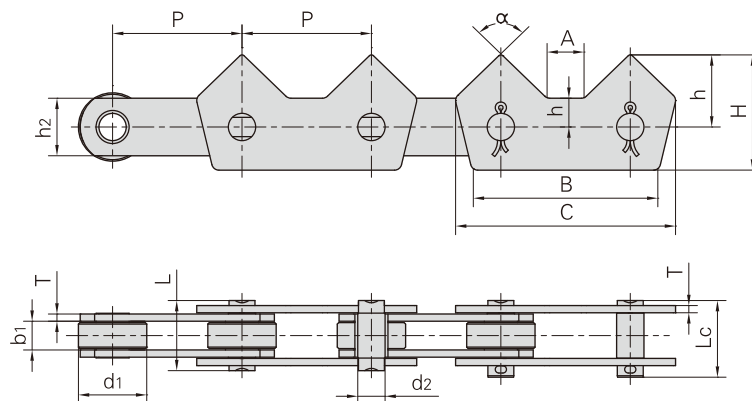


| Donghua Ketten Nr. | Teilung | Rollen-durchmesser | Lichte Weite | Bolzen-durchmesser | Bolzenlänge | Laschendimensionen |      |       |      |       | Bruchkraft  | Gewicht pro Meter |
|--------------------|---------|--------------------|--------------|--------------------|-------------|--------------------|------|-------|------|-------|-------------|-------------------|
|                    | P       | d1 max             | b1 min       | d2 max             | L max       | t/T max            | h2   | G     | h    | H     | Q min       | q                 |
|                    | mm      | mm                 | mm           | mm                 | mm          | mm                 | mm   | mm    | mm   | mm    | kN/lbf      | kg/m              |
| P101.6F159-2STC    | 101.6   | 36.00              | 31.50        | 18.00              | 72.7        | 8.0                | 40.0 | 101.5 | 61.0 | 131.0 | 195.0/43836 | 14.42             |

## Förderketten mit Verzahnten Laschen

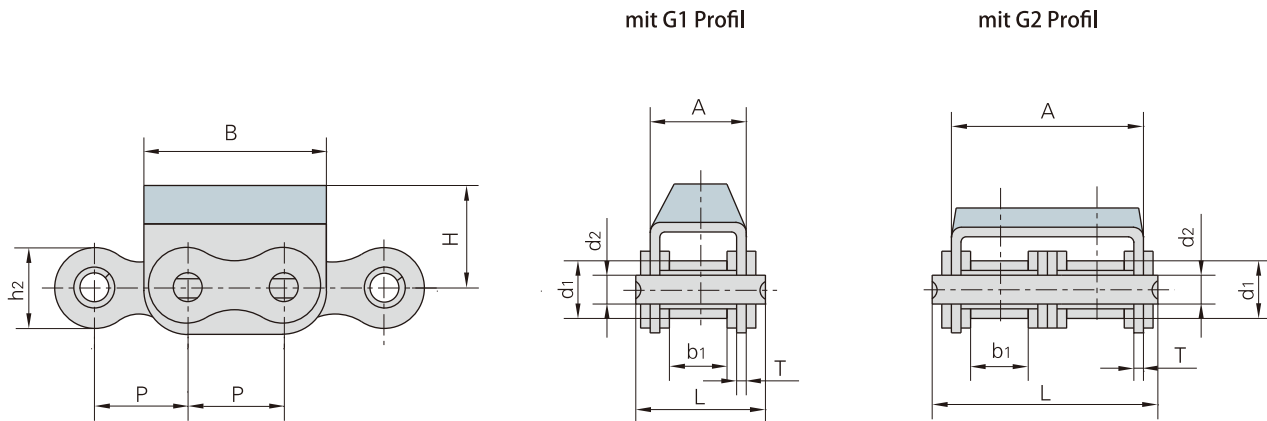


| Donghua Ketten Nr. | P      | b <sub>1</sub> | t/T       | L      | h     | H     | G      | A     | B     |
|--------------------|--------|----------------|-----------|--------|-------|-------|--------|-------|-------|
|                    | mm     | mm             | mm        | mm     | mm    | mm    | mm     | mm    | mm    |
| P100F314           | 100.00 | 55.00          | 10.0/12.0 | 110.00 | 45.00 | 75.00 | 125.00 | 40.00 | 45.00 |



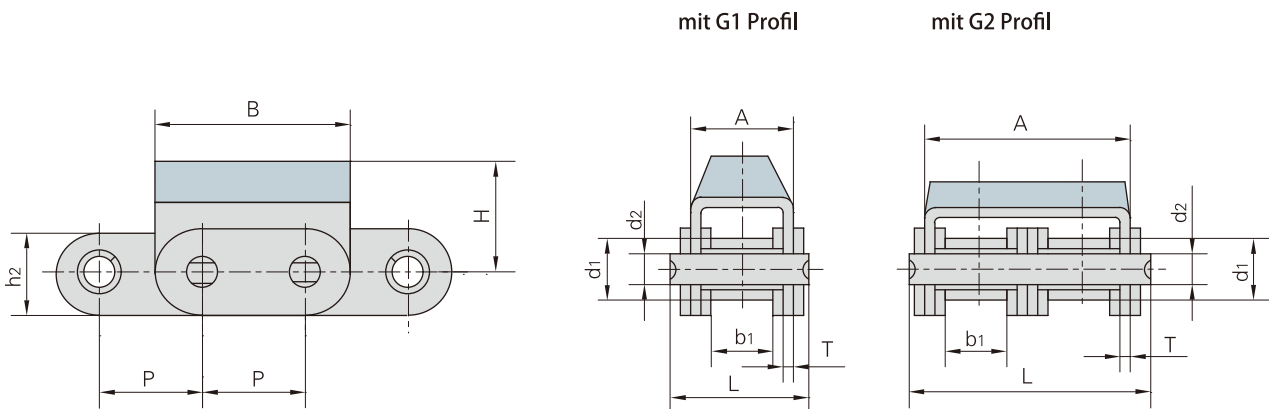
| Donghua Ketten Nr. | Teilung | Rollen-durchmesser | Lichte Weite       | Bolzen-durchmesser | Bolzenlänge |                    | Innen-laschen-höhe | Laschen-dicke | Winkel-abmessungen |      |     | Bruchkraft       | Gewicht pro Meter |
|--------------------|---------|--------------------|--------------------|--------------------|-------------|--------------------|--------------------|---------------|--------------------|------|-----|------------------|-------------------|
|                    | P       | d <sub>1</sub> max | b <sub>1</sub> min | d <sub>2</sub> max | L max       | L <sub>c</sub> max | h <sub>2</sub> max | T             | h                  | H    | α   | Q <sub>min</sub> | q                 |
|                    | mm      | mm                 | mm                 | mm                 | mm          | mm                 | mm                 | mm            | mm                 | mm   | °   | kN/lbf           | kg/m              |
| P90F12-2STC        | 90.00   | 47.50              | 19.00              | 19.00              | 48.8        | 53.3               | 40.0               | 5.00          | 49.0               | 79.0 | 92° | 100.0/22480      | 9.12              |

## Rollenketten mit aufvulkanisierten Gummiprofil



| Donghua Ketten Nr. | Teilung | Rollen-durchmesser | Lichte Weite | Bolzen-durchmesser | Bolzen-länge | Laschen- & Winkelabmessungen |       |       |      |      | Bruchkraft  | Gewicht pro Meter |
|--------------------|---------|--------------------|--------------|--------------------|--------------|------------------------------|-------|-------|------|------|-------------|-------------------|
|                    | P       | d1 max             | b1 min       | d2 max             | L max        | h2 max                       | A     | B     | H    | T    | Q min       | q                 |
|                    | mm      | mm                 | mm           | mm                 | mm           | mm                           | mm    | mm    | mm   | mm   | kN/lbf      | kg/m              |
| 08B-G1             | 12.700  | 8.51               | 7.75         | 4.45               | 20.0         | 11.80                        | 14.60 | 24.20 | 12.3 | 1.60 | 18.0/4091   | 1.19              |
| 08B-G2             | 12.700  | 8.51               | 7.75         | 4.45               | 34.3         | 11.80                        | 28.40 | 24.20 | 12.3 | 1.50 | 32.0/7273   | 2.07              |
| 10A-G1             | 15.875  | 10.16              | 9.40         | 5.08               | 24.5         | 15.09                        | 17.50 | 31.00 | 17.0 | 1.60 | 21.8/4953   | 1.70              |
| 10B-G1             | 15.875  | 10.16              | 9.65         | 5.08               | 23.2         | 14.70                        | 16.80 | 30.00 | 17.0 | 1.60 | 19.0/4318   | 1.62              |
| 10B-G2             | 15.875  | 10.16              | 9.65         | 5.08               | 39.7         | 14.70                        | 33.30 | 30.00 | 17.0 | 1.50 | 44.5/10004  | 2.56              |
| 10B-G2F5           | 15.875  | 10.16              | 9.65         | 5.08               | 39.7         | 14.70                        | 33.30 | 30.00 | 25.3 | 1.50 | 44.5/10004  | 2.58              |
| 12B-G1             | 19.050  | 12.07              | 11.68        | 5.72               | 25.7         | 16.00                        | 19.60 | 36.00 | 21.0 | 1.85 | 29.0/6591   | 2.01              |
| 12B-G2             | 19.050  | 12.07              | 11.68        | 5.72               | 45.3         | 16.00                        | 39.10 | 36.00 | 16.0 | 1.85 | 57.8/13136  | 3.21              |
| 12A-G1             | 19.050  | 11.91              | 12.57        | 5.94               | 29.9         | 18.00                        | 21.40 | 37.05 | 21.0 | 1.85 | 31.8/7153   | 2.55              |
| 12A-G2             | 19.050  | 11.91              | 12.57        | 5.94               | 52.9         | 18.00                        | 44.50 | 37.05 | 21.0 | 1.85 | 62.3/14005  | 4.25              |
| 12AF1-G1           | 19.050  | 11.91              | 17.00        | 5.94               | 34.0         | 18.00                        | 26.00 | 36.00 | 16.0 | 1.85 | 31.8/7153   | 2.62              |
| 16A-G1             | 25.400  | 15.88              | 15.75        | 7.92               | 37.2         | 24.00                        | 27.50 | 46.00 | 20.0 | 2.42 | 42.0/9545   | 3.97              |
| 16A-G2             | 25.400  | 15.88              | 15.75        | 7.92               | 68.0         | 24.00                        | 57.20 | 46.00 | 20.0 | 2.42 | 84/18896    | 7.27              |
| 16B-G1F12          | 25.400  | 15.88              | 17.02        | 8.28               | 39.7         | 21.00                        | 29.05 | 49.00 | 21.4 | 1.60 | 58.0/13047  | 3.95              |
| 20A-G1             | 31.750  | 19.05              | 18.90        | 9.53               | 46.8         | 30.00                        | 34.00 | 57.60 | 28.0 | 3.10 | 86.7/19503  | 6.15              |
| 20B-G1             | 31.750  | 19.05              | 19.56        | 10.19              | 48.0         | 26.40                        | 36.00 | 57.00 | 27.0 | 3.50 | 85.0/19318  | 6.19              |
| 24B-G1             | 38.100  | 25.40              | 25.40        | 14.63              | 61.6         | 33.20                        | 47.00 | 72.60 | 34.0 | 4.50 | 160.0/36363 | 11.25             |

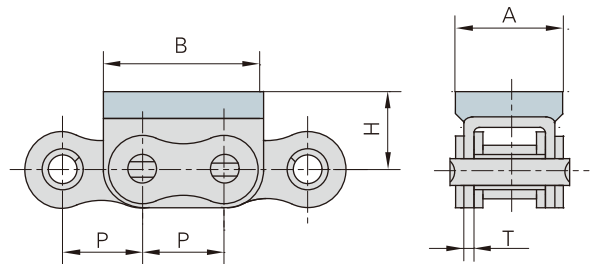
## Rollenketten mit aufvulkanisierten Gummiprofi



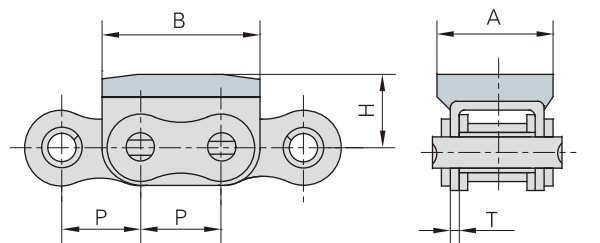
| Donghua Ketten Nr. | Teilung | Rollen-durchmesser | Lichte Weite | Bolzen-durchmesser | Bolzen-länge | Laschen- & Winkelabmessungen |       |       |      |      | Bruchkraft  | Gewicht pro Meter |
|--------------------|---------|--------------------|--------------|--------------------|--------------|------------------------------|-------|-------|------|------|-------------|-------------------|
|                    | P       | d1 max             | b1 min       | d2 max             | L max        | h2 max                       | A     | B     | H    | T    | Q min       | q                 |
|                    | mm      | mm                 | mm           | mm                 | mm           | mm                           | mm    | mm    | mm   | mm   | kN/lbf      | kg/m              |
| C08B-G1            | 12.700  | 8.51               | 7.75         | 4.45               | 20.0         | 11.80                        | 14.60 | 24.20 | 12.3 | 1.60 | 18.0/4091   | 1.30              |
| C08B-G2            | 12.700  | 8.51               | 7.75         | 4.45               | 34.3         | 11.80                        | 28.40 | 24.20 | 12.3 | 1.50 | 32.0/7273   | 2.29              |
| C10B-G1            | 15.875  | 10.16              | 9.65         | 5.08               | 23.2         | 14.70                        | 16.80 | 30.00 | 17.0 | 1.60 | 19.0/4318   | 1.75              |
| C10B-G1F1          | 15.875  | 10.16              | 9.65         | 5.08               | 23.2         | 14.70                        | 16.80 | 30.00 | 13.0 | 1.60 | 19.0/4318   | 1.70              |
| C50-G2F1           | 15.875  | 10.16              | 9.40         | 5.08               | 42.5         | 15.09                        | 35.60 | 27.00 | 17.0 | 1.60 | 43.6/9906   | 2.14              |
| C50-G2             | 15.875  | 10.16              | 9.40         | 5.08               | 42.5         | 15.09                        | 35.60 | 31.00 | 17.0 | 1.60 | 43.6/9906   | 2.14              |
| C10B-G2            | 15.875  | 10.16              | 9.65         | 5.08               | 39.7         | 14.70                        | 33.30 | 30.00 | 17.0 | 1.50 | 44.5/10114  | 2.95              |
| C12B-G1            | 19.050  | 12.07              | 11.68        | 5.72               | 25.7         | 16.00                        | 19.60 | 36.00 | 21.0 | 1.85 | 29.0/6591   | 2.15              |
| C12B-G2            | 19.050  | 12.07              | 11.68        | 5.72               | 45.3         | 16.00                        | 39.10 | 36.00 | 16.0 | 1.85 | 57.8/13136  | 3.48              |
| C16A-G1            | 25.400  | 15.88              | 15.75        | 7.92               | 37.2         | 24.00                        | 27.50 | 46.00 | 20.0 | 2.42 | 42.0/9545   | 4.34              |
| C16A-G2            | 25.400  | 15.88              | 15.75        | 7.92               | 68.0         | 24.00                        | 57.20 | 46.00 | 20.0 | 2.42 | 84.0/18883  | 8.20              |
| C20A-G1            | 31.750  | 19.05              | 18.90        | 9.53               | 46.8         | 30.00                        | 34.00 | 61.75 | 28.0 | 3.10 | 86.7/19490  | 9.10              |
| C20B-G1            | 31.750  | 19.05              | 19.56        | 10.19              | 48.0         | 26.40                        | 36.00 | 57.00 | 27.0 | 3.50 | 85.0/19318  | 6.65              |
| C20B-G2            | 31.750  | 19.05              | 29.56        | 10.19              | 85.0         | 26.40                        | 73.00 | 58.15 | 27.0 | 3.50 | 170.0/38217 | 10.40             |
| C24B-G1            | 38.100  | 25.40              | 25.40        | 14.63              | 61.6         | 33.20                        | 47.00 | 72.60 | 34.0 | 4.50 | 160.0/36363 | 11.63             |

## Rollenketten mit aufvulkanisierten Gummiprofi

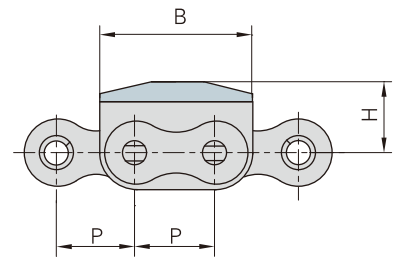
| Donghua Ketten Nr. | P      | A    | B    | H    | T   |
|--------------------|--------|------|------|------|-----|
|                    | mm     | mm   | mm   | mm   | mm  |
| 08B-G1F1           | 12.700 | 18.0 | 24.2 | 12.3 | 1.6 |
| 10B-G1F2           | 15.875 | 25.0 | 30.0 | 14.0 | 1.6 |
| 10B-G1F3           | 15.875 | 20.0 | 30.0 | 18.0 | 1.6 |
| 10B-G1F4           | 15.875 | 18.6 | 30.0 | 11.4 | 1.6 |



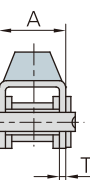
| Donghua Ketten Nr. | P    | A    | B    | H    | T   |
|--------------------|------|------|------|------|-----|
|                    | mm   | mm   | mm   | mm   | mm  |
| 08B-G1F4           | 12.7 | 18.0 | 24.2 | 12.3 | 1.6 |



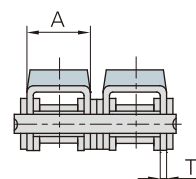
| Donghua Ketten Nr. | P     | A     | B    | H    | T    | L <sub>3</sub> |
|--------------------|-------|-------|------|------|------|----------------|
|                    | mm    | mm    | mm   | mm   | mm   | mm             |
| 08B-G2F1           | 12.70 | 28.40 | 24.2 | 12.0 | 1.50 | -              |
| 08B-G1F14-DD3      | 12.70 | 14.60 | 24.2 | 16.0 | 1.60 | 6.3            |
| 08B-G2F15          | 12.70 | 28.40 | 24.2 | 12.8 | 1.50 | -              |
| 08B-G2F22          | 12.70 | 28.40 | 24.2 | 12.0 | 1.50 | -              |
| 16A-G2F3           | 25.40 | 27.50 | 49.0 | 21.4 | 2.42 | -              |
| 16B-G1             | 25.40 | 29.05 | 49.0 | 21.4 | 1.60 | -              |
| 16B-G1F11-DD3      | 25.40 | 29.05 | 49.0 | 21.4 | 1.60 | 4.8            |
| C16B-G1            | 25.40 | 29.05 | 49.0 | 21.4 | 1.60 | -              |
| C16B-G2            | 25.40 | 60.93 | 49.0 | 21.4 | 1.60 | -              |
| 20B-G1F2           | 31.75 | 36.00 | 57.0 | 35.0 | 3.50 | -              |
| 24B-G1F1           | 38.10 | 47.00 | 72.6 | 34.0 | 4.50 | -              |
| 24B-G1F7           | 38.10 | 47.00 | 72.6 | 34.0 | 4.50 | -              |



C16B-G1  
16B-G1

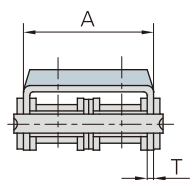


16A-G2F3

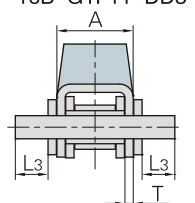


20B-G1F2  
24B-G1F1  
24B-G1F7

C16B-G2  
08B-G2F1  
08B-G2F15  
08B-G2F22

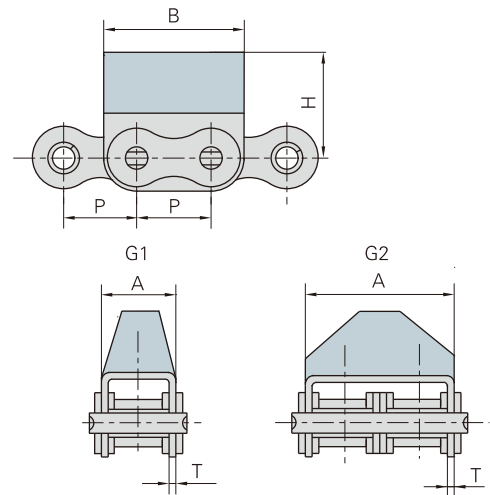


08B-G1F14-DD3  
16B-G1F11-DD3

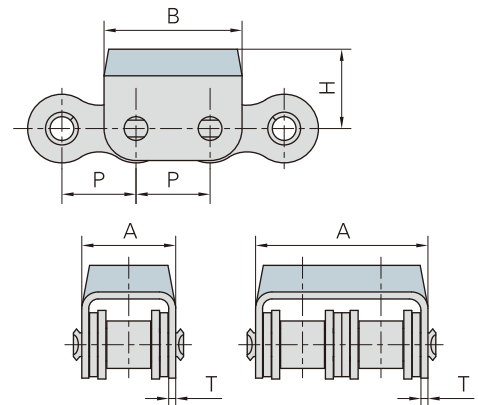


## Rollenketten mit aufvulkanisierten Gummiprofi

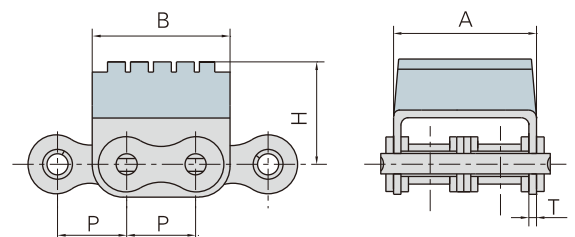
| Donghua Ketten Nr. | P      | A     | B    | H    | T    |
|--------------------|--------|-------|------|------|------|
|                    | mm     | mm    | mm   | mm   | mm   |
| 08B-G1F17          | 12.700 | 14.60 | 24.2 | 20.2 | 1.60 |
| 10B-G1F5           | 15.875 | 16.80 | 30.0 | 25.3 | 1.70 |
| 10A-G1F6           | 15.875 | 16.80 | 30.0 | 14.0 | 1.60 |
| 12B-G1F11          | 19.050 | 19.60 | 36.0 | 17.0 | 1.85 |
| 12A-G1F12          | 19.050 | 39.10 | 36.0 | 21.0 | 1.85 |
| 12B-G2F10          | 19.050 | 39.10 | 36.0 | 28.0 | 1.85 |
| 12A-G2F12          | 19.050 | 39.10 | 36.0 | 21.0 | 1.85 |
| 12B-G2F5           | 19.050 | 39.10 | 36.0 | 28.0 | 1.85 |
| 16A-G1F1           | 25.400 | 27.50 | 46.0 | 21.4 | 2.42 |
| 16B-G1F18          | 25.400 | 29.05 | 49.0 | 32.0 | 1.60 |
| 20B-G1F1           | 31.750 | 36.00 | 57.0 | 35.0 | 3.50 |



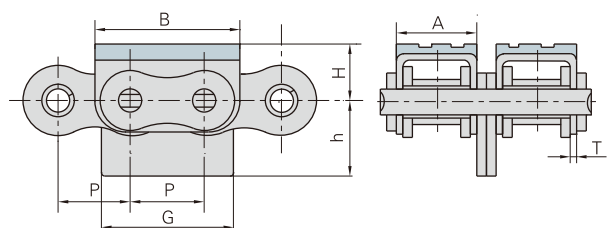
| Donghua Ketten Nr. | P      | A    | B    | H    | T   |
|--------------------|--------|------|------|------|-----|
|                    | mm     | mm   | mm   | mm   | mm  |
| 10B-G2F1           | 15.875 | 33.3 | 30.0 | 17.0 | 1.5 |
| 24A-G1F1           | 38.100 | 55.5 | 70.0 | 46.5 | 4.8 |



| Donghua Ketten Nr. | P     | A    | B    | H    | T    |
|--------------------|-------|------|------|------|------|
|                    | mm    | mm   | mm   | mm   | mm   |
| 12B-G2F6           | 19.05 | 39.1 | 37.3 | 28.2 | 1.85 |

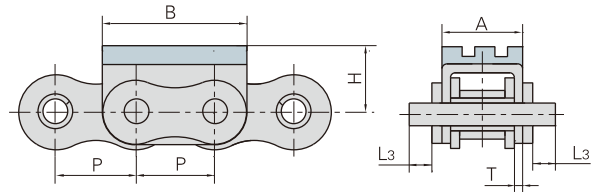


| Donghua Ketten Nr. | P    | A    | B    | G    | h    | H    | T    |
|--------------------|------|------|------|------|------|------|------|
|                    | mm   | mm   | mm   | mm   | mm   | mm   | mm   |
| 16A-G2F1           | 25.4 | 27.0 | 49.2 | 45.4 | 25.0 | 20.0 | 2.03 |

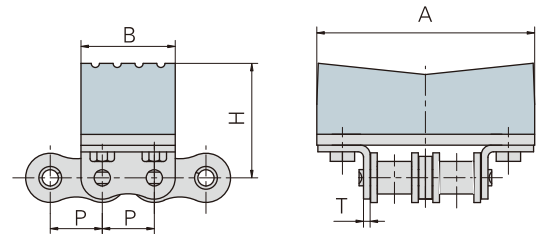


## Rollenketten mit aufvulkanisierten Gummiprofi

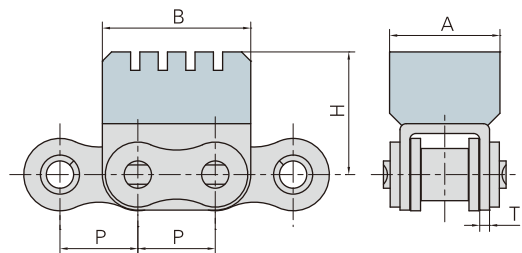
| Donghua Ketten Nr. | P    | A    | B    | H    | H <sub>1</sub> | T    |
|--------------------|------|------|------|------|----------------|------|
|                    | mm   | mm   | mm   | mm   | mm             | mm   |
| 16A-G1F3           | 25.4 | 27.5 | 49.0 | 8.25 | 21.4           | 2.42 |



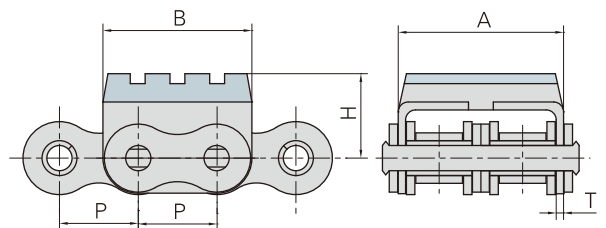
| Donghua Ketten Nr. | P     | A    | B    | H    | T    |
|--------------------|-------|------|------|------|------|
|                    | mm    | mm   | mm   | mm   | mm   |
| 12AWK2-G2F1        | 19.05 | 80.0 | 35.0 | 41.9 | 2.42 |



| Donghua Ketten Nr. | P     | A     | B     | H     | T    |
|--------------------|-------|-------|-------|-------|------|
|                    | mm    | mm    | mm    | mm    | mm   |
| 08B-G1F15          | 12.70 | 18.00 | 24.20 | 20.00 | 1.60 |



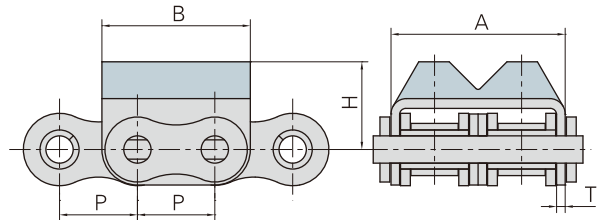
| Donghua Ketten Nr. | P      | A     | B     | H     | T    |
|--------------------|--------|-------|-------|-------|------|
|                    | mm     | mm    | mm    | mm    | mm   |
| 10B-G2F6           | 15.875 | 33.30 | 30.00 | 17.00 | 1.50 |



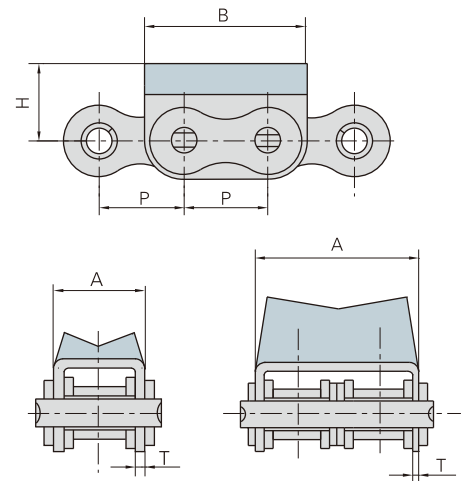


## Rollenketten mit aufvulkanisierten Gummiprofi

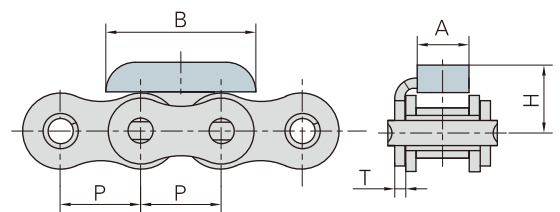
| Donghua Ketten Nr. | P     | A     | B     | H     | T    |
|--------------------|-------|-------|-------|-------|------|
|                    | mm    | mm    | mm    | mm    | mm   |
| 08B-G2F18          | 12.70 | 28.40 | 24.20 | 14.30 | 1.50 |



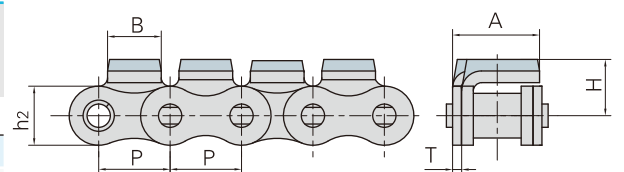
| Donghua Ketten Nr. | P     | A    | B    | H    | T    |
|--------------------|-------|------|------|------|------|
|                    | mm    | mm   | mm   | mm   | mm   |
| 08B-G2F11          | 12.70 | 28.4 | 24.2 | 18.3 | 1.50 |
| 12B-G1F1           | 19.05 | 19.6 | 36.0 | 18.0 | 1.85 |
| 12B-G2F4           | 19.05 | 39.1 | 36.0 | 27.5 | 1.85 |
| 12B-G1F13          | 19.05 | 19.6 | 36.0 | 21.0 | 1.85 |
| 12B-G2F13          | 19.05 | 39.1 | 36.0 | 27.5 | 1.85 |



| Donghua Ketten Nr. | P     | A    | B    | H    | T    |
|--------------------|-------|------|------|------|------|
|                    | mm    | mm   | mm   | mm   | mm   |
| 12A-G1F1           | 19.05 | 13.0 | 35.5 | 16.6 | 2.42 |

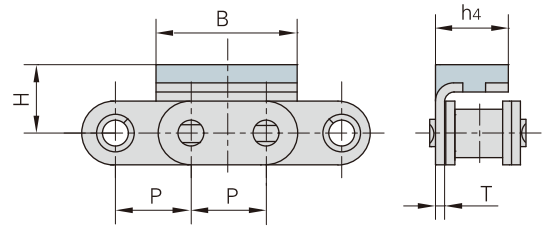


| Donghua Ketten Nr. | P     | A     | B     | H     | h2    | T    |
|--------------------|-------|-------|-------|-------|-------|------|
|                    | mm    | mm    | mm    | mm    | mm    | mm   |
| 16B-G1F7           | 25.40 | 31.00 | 19.10 | 20.00 | 21.00 | 3.10 |
| 08B-G1F16          | 12.70 | 12.85 | 23.30 | 11.40 | 11.80 | 1.30 |

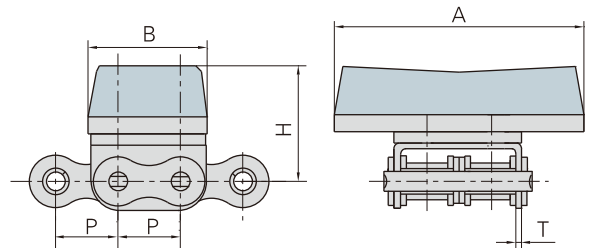


## Rollenketten mit aufvulkanisierten Gummiprofi

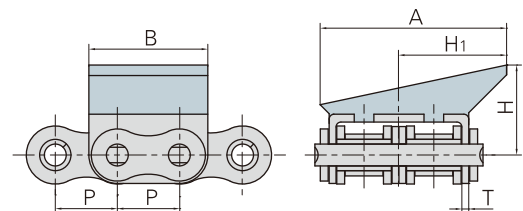
| Donghua Ketten Nr. | P     | B     | H   | h <sub>4</sub> | T   |
|--------------------|-------|-------|-----|----------------|-----|
|                    | mm    | mm    | mm  | mm             | mm  |
| 06BF9              | 9.525 | 17.73 | 9.0 | 9.05           | 1.3 |



| Donghua Ketten Nr. | P     | A     | B    | H    | T    |
|--------------------|-------|-------|------|------|------|
|                    | mm    | mm    | mm   | mm   | mm   |
| 12B-G2F3           | 19.05 | 77.0  | 37.0 | 36.0 | 1.85 |
| 12B-G2F8           | 19.05 | 101.0 | 37.0 | 36.0 | 1.85 |



| Donghua Ketten Nr. | P    | A    | B    | H    | H <sub>1</sub> | T   |
|--------------------|------|------|------|------|----------------|-----|
|                    | mm   | mm   | mm   | mm   | mm             | mm  |
| 08B-G2F14          | 12.7 | 37.9 | 24.2 | 18.3 | 22.0           | 1.5 |



| Donghua Ketten Nr. | P     | A     | B     | H     | H <sub>1</sub> | T    |
|--------------------|-------|-------|-------|-------|----------------|------|
|                    | mm    | mm    | mm    | mm    | mm             | mm   |
| 08B-G2F16          | 12.70 | 44.00 | 24.20 | 26.30 | 8.00           | 1.50 |
| 08B-G2F17          | 12.70 | 39.00 | 24.20 | 21.30 | 8.00           | 1.50 |

