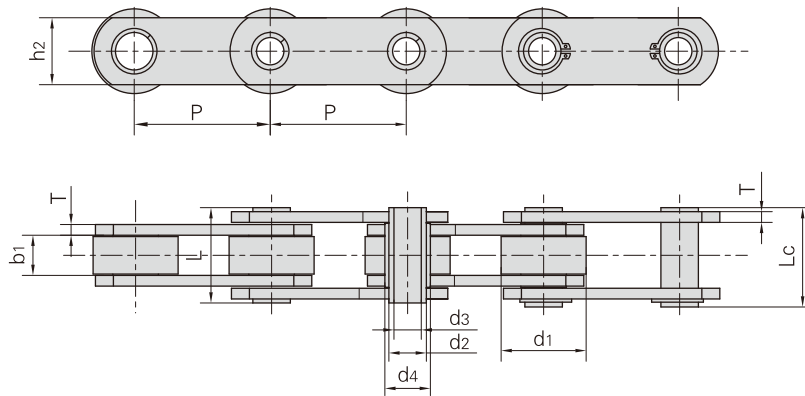


Förderketten mit Hohlbolzen (MC Serie)

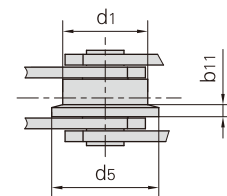
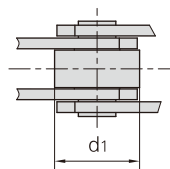
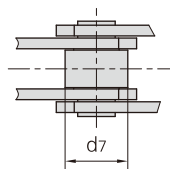
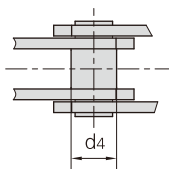


ohne Rollen

mit Schonrollentyp (S)

mit Laufrollentyp (P)

mit Bundrollentyp (F)

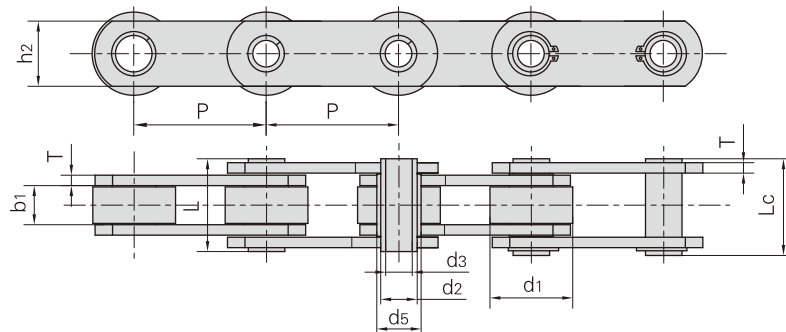


DIN Ketten Nr.	Teilung							Rollenabmessungen				Buchsen-	Laschenhöhe
	P							d1	d7	d5	b11	d4	h2
	mm							max	max	max	mm	max	max
MC28	63.0	80.0	100.0	125.0	160.0	-	36.0	25.0	45.0	4.5	17.5	25.0	
MC56	80.0	100.0	125.0	160.0	200.0	250.0	50.0	30.0	60.0	5.0	21.0	35.0	
MC112	100.0	125.0	160.0	200.0	250.0	315.0	70.0	42.0	85.0	7.0	29.0	50.0	
MC224	160.0	200.0	250.0	315.0	400.0	500.0	100.0	60.0	120.0	10.0	41.0	70.0	

DIN Ketten Nr.	Lichte	Bolzendurchmesser		Bolzenlänge		Laschendicke	Bruchkraft	
	Weite	d2	d3	L	Lc	T	Q	*Q
	b1	max	min	max	max	max	min	min
	min	mm	mm	mm	mm	mm	kN/lbf	kN/lbf
	mm	mm	mm	mm	mm	mm		
MC28	20.0	13.0	8.2	36.0	38.5	3.5	28.0/6364	40.0/9091
MC56	24.0	15.5	10.2	45.0	47.5	4.0	56.0/12727	90.0/20454
MC112	32.0	22.0	14.3	62.5	64.3	6.0	112.0/25454	180.0/40908
MC224	43.0	31.0	20.3	83.0	85.5	8.0	224.0/50909	350.0/79544

*Q bezeichnet die Dehnfestigkeit nach gehärtetem

Förderketten mit Hohlbolzen (FVC Serie)

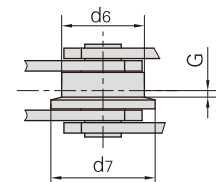
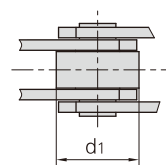
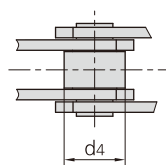
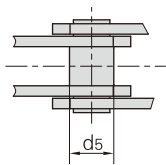


ohne Rollen

mit Schonrollentyp (S)

mit Laufrollentyp (P)

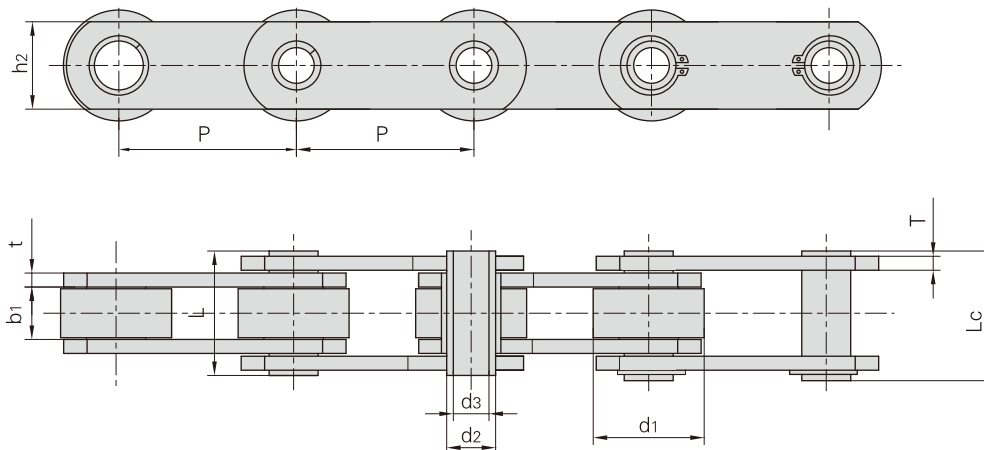
mit Bundrollentyp (F)



DIN Ketten Nr.	Teilung							Rollenabmessungen				
	P							d1 max	d4 max	d6 max	d7 max	G
	mm	mm	mm	mm	mm	mm	mm	mm	mm	mm	mm	mm
FVC63	63.0	80.0	100.0	125.0	160.0	-	-	40.0	26.0	50.0	63.0	5.0
FVC90	63.0	80.0	100.0	125.0	160.0	200.0	250.0	48.0	30.0	63.0	78.0	6.5
FVC112	100.0	125.0	160.0	200.0	250.0	-	-	55.0	32.0	72.0	90.0	7.5
FVC140	100.0	125.0	160.0	200.0	250.0	-	-	60.0	36.0	80.0	100.0	9.0
FVC180	125.0	160.0	200.0	250.0	315.0	-	-	70.0	42.0	100.0	125.0	13.0
FVC250	160.0	200.0	250.0	315.0	400.0	-	-	80.0	50.0	125.0	155.0	15.0
FVC315	160.0	200.0	250.0	315.0	400.0	-	-	90.0	60.0	140.0	175.0	18.0

DIN Ketten Nr.	Lichte Weite	Bolzendurchmesser		Buchsen- durchmesser	Bolzenlänge		Laschen- dicke	Laschen- höhe	Bruchkraft
	b1 min	d2 max	d3 min	d5 max	L max	Lc max	T max	h2 max	Q min
	mm	mm	mm	mm	mm	mm	mm	mm	kN/lbf
FVC63	22.0	12.0	8.0	18.0	45.0	50.5	4.0	30.0	46.0/10454
FVC90	25.0	14.0	10.0	20.0	53.0	56.5	5.0	35.0	73.0/16590
FVC112	30.0	16.0	11.0	22.0	62.0	63.0	6.0	40.0	90.0/20454
FVC140	35.0	18.0	12.0	26.0	67.0	68.5	6.0	45.0	110.0/25000
FVC180	45.0	20.0	14.0	30.0	86.0	88.0	8.0	50.0	145.0/32954
FVC250	55.0	26.0	18.0	36.0	97.0	103.5	8.0	60.0	215.0/48863
FVC315	65.0	30.0	20.0	42.0	117.0	121.5	10.0	70.0	295.0/67044

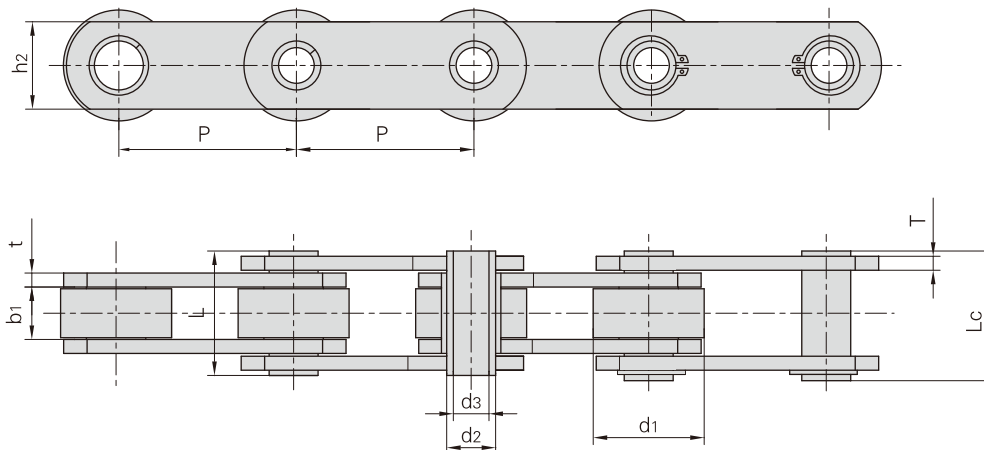
Durchschnittliche Bruchkraft



Donghua Ketten Nr.	Teilung	Rollen-durchmesser	Lichte Weite	Bolzen-durchmesser		Bolzenlänge		Innen-laschen-höhe	Laschen-dicke	Bruchkraft	Durchsch-nittliche Bruchkraft	Gewicht pro Meter
	P	d1 max	b1 min	d2 max	d3 min	L max	Lc max	h2 max	t/T max	Q min	Q0	q
	mm	mm	mm	mm	mm	mm	mm	mm	mm	kN/lbf	kN	kg/m
MC18F1-P-40	40.00	22.00	9.00	9.00	6.20	23.00	24.50	18.0	2.5	21.0/4721	23.1	1.57
MC21F1-P-76.2	76.20	25.40	12.70	9.00	6.60	26.00	27.50	19.0	2.5	21.0/4721	23.1	1.50
MC28F1-P-80	80.00	36.00	20.00	12.00	8.50	36.80	38.00	25.0	3.0	42.0/9442	46.0	3.24
*MC28F2-B-63	63.00	17.50	20.00	13.00	8.20	38.80	40.00	25.0	3.5	28.0/6275	31.0	2.35
MC35F1-P-35	35.00	20.00	25.00	9.00	6.00	29.00	31.00	20.0	2.5	27.0/6070	30.0	2.08
MC35F2-P-50	50.00	31.00	15.00	14.00	10.20	35.00	37.00	25.0	4.0	40.0/8992	44.0	3.46
MC37F1-P-35	35.00	20.00	16.00	14.00	10.40	30.00	31.70	26.0	2.5	37.0/8318	40.0	2.10
MC40-PF1-100	100.00	35.00	23.40	14.00	10.20	36.00	37.50	25.0	4.0	40.0/8992	44.0	2.79
MC40F9-P-50	50.00	35.00	17.00	14.00	10.20	37.00	38.50	30.0	4.0	49.0/11015	55.0	5.10
MC40F11-P-50.8	50.80	38.10	15.50	14.28	10.20	37.00	38.50	27.0	4.0	40.0/8992	44.0	5.00
MC40F21-P-50.8	50.80	38.10	15.50	14.28	9.70	37.00	-	27.0	4.0	50.0/11241	55.0	5.17
MC40F28-P-50.8	50.80	38.10	15.80	14.28	9.70	37.00	49.50	27.0	4.0	60.0/13489	66.0	5.10
MC40F29-P-50.8	50.80	38.10	14.50	13.00	10.05	37.70	39.00	28.0	4.8/4.0	40.0/8992	44.0	4.89
*MC40F24-B-60	60.00	18.00	22.00	14.00	10.00	43.40	44.50	27.0	4.0	50.0/11240	55.0	3.90
*MC40F12-B-75	75.00	20.00	22.00	14.00	10.20	41.00	42.10	30.0	3.0	40.0/8992	44.0	2.48
MC56F1-S-80	80.00	30.00	24.00	16.00	10.20	45.50	47.00	35.0	4.0	56.0/12600	62.0	4.64
MC56F1-P-80	80.00	50.00	24.00	16.00	10.20	45.50	47.00	35.0	4.0	56.0/12600	62.0	7.39
MC56F5-P-80	80.00	50.00	24.00	15.50	10.20	53.50	55.00	35.0	6.0	67.5/15174	75.0	8.50
MC56-P-85	85.00	50.00	24.00	15.50	10.20	45.50	47.00	35.0	4.0	56.0/12600	62.0	6.91
MC56F2-P-100	100.00	50.00	23.00	16.00	10.20	45.50	47.00	35.0	4.0	56.0/12600	62.0	6.27

*Buchsenketten: d1 bezeichnet in der Tabelle den Außendurchmesser der Buchse

Durchschnittliche Bruchkraft



Donghua Ketten Nr.	Teilung	Rollen-durchmesser	Lichte Weite	Bolzen-durchmesser		Bolzenlänge		Innen-laschen-höhe	Laschen-dicke	Bruchkraft	Durchschnittliche Bruchkraft	Gewicht pro Meter
	P	d1 max	b1 min	d2 max	d3 min	L max	Lc max	h2 max	t/T max	Q min	Q0	q
	mm	mm	mm	mm	mm	mm	mm	mm	mm	kN/lbf	kN	kg/m
MC56F6-P-100	100.00	50.00	24.00	15.50	10.20	50.00	51.30	35.0	5.0	56.0/12600	62.0	6.80
MC60F7-P-152.4	152.40	47.50	19.00	19.00	12.50	45.00	46.50	40.0	5.0/4.0	120.0/27000	132.0	4.97
MC60F7-P-203.2	203.20	47.50	19.00	19.00	12.50	45.00	46.50	40.0	5.0/4.0	120.0/27000	132.0	4.43
MC60F10-P-127	127.00	47.50	19.00	19.00	13.20	42.00	44.00	40.0	5.0/4.0	60.0/13489	66.0	5.34
MC60F12-P-88.9	88.90	47.50	19.00	19.00	13.90	45.00	46.50	40.0	5.0/4.0	60.0/13489	66.0	6.38
MC60F14-P-101.6	101.60	50.00	33.10	19.00	13.20	66.50	68.00	40.0	6.4	100.0/22480	110.0	9.74
*MC60F15-B-101.6	101.60	24.00	19.00	19.00	13.20	45.00	46.50	40.0	5.0/4.0	60.0/13489	66.0	4.19
MCI2F1-P-100	100.00	70.00	32.00	22.00	16.30	67.00	68.50	50.0	6.0	112.0/25195	123.2	14.91
*MC220-B-152.4	152.40	33.00	26.00	27.50	19.43	60.00	61.40	55.0	7.5/5.5	220.0/49484	242.0	7.80
MC150F2-P-110	110.00	66.70	25.40	26.90	20.20	58.00	60.50	51.0	7.1/5.1	106.7/24003	118.0	13.50
MC300F1-F-254	254.00	95.00	38.00	46.00	36.00	95.00	97.00	75.0	13.0/8.0	392.0/88126	431.2	22.50
MC300F2-F-203.2	203.20	88.90	38.00	32.00	19.60	83.00	85.00	60.0	10.0/8.0	300.0/67479	330.0	20.30
*FVC63F1-B-40	40.00	18.00	22.00	12.00	8.20	47.50	49.00	35.0	5.0	46.0/10348	51.0	5.34
*FVC63F2-B-50	50.00	17.00	22.00	12.00	8.20	41.00	42.00	25.0	3.0	30.0/6750	33.0	2.24
FVC63F3-P-63	63.00	40.00	22.00	11.70	8.10	44.00	46.00	30.0	4.0	46.0/10348	51.0	5.83
FVC63F15-P-63	63.00	40.00	21.50	12.00	8.30	42.00	44.00	30.0	4.0	46.0/10348	51.0	5.85
FVC90F1-P-63	63.00	42.00	25.00	14.00	10.20	52.00	53.50	35.0	5.0	73.0/16422	80.0	5.33
FVC90F6-F-125	125.00	63.00	25.00	18.50	14.30	52.00	53.50	35.0	5.0	73.0/16422	80.0	8.20
FVC112F2-P-100	100.00	95.00	30.00	17.00	11.20	60.20	61.50	40.0	6.0	130.0/29225	143.0	9.69
*FVC140F1-B-80	80.00	26.00	35.00	18.00	12.50	65.00	67.00	46.0	6.0	110.0/24745	120.0	7.80
FVC140F7-F-160	160.00	60.00	35.00	18.00	12.00	67.00	69.30	45.0	6.0	110.0/24745	120.0	6.40
FVC140F6-P-109	109.00	50.00	28.00	18.00	12.00	56.00	57.50	40.0	5.0	60.0/13489	66.0	8.00

*Buchsenketten: d1 bezeichnet in der Tabelle den Außendurchmesser der Buchse