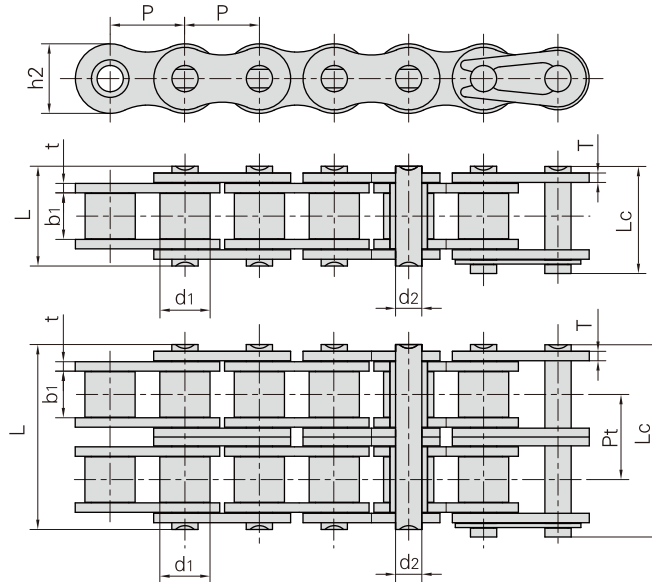


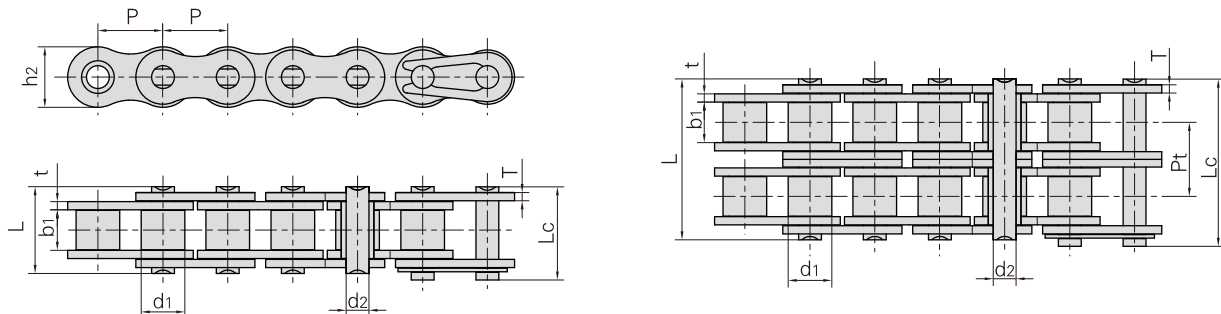
## Selbstschmierende Rollenketten



Donghua Ketten Nr.	Teilung	Rollen-durchmesser	Lichte Weite	Bolzen-durchmesser	Bolzenlänge		Innen-laschen-höhe	Laschen-dicke	Mitten-abstand	Bruchkraft	Gewicht pro Meter
	P	d1 max	b1 min	d2 max	L max	Lc max	h2 max	t/T max	Pt	Q min	q
	mm	mm	mm	mm	mm	mm	mm	mm	mm	kN/lbf	kg/m
40SLR	12.700	7.95	7.85	3.96	16.60	17.8	12.00	1.50	–	14.1/3205	0.62
40SLR-2	12.700	7.95	7.85	3.96	31.00	32.2	12.00	1.50	14.38	28.2/6409	1.12
40HSLR	12.700	7.95	7.85	3.96	18.80	19.9	12.00	2.03	–	13.8/3102	0.78
40HSLR-2	12.700	7.95	7.85	3.96	35.50	36.7	12.00	2.03	16.55	27.6/6204	1.55
40HSLRF1	12.700	7.92	7.85	3.96	17.70	18.9	11.70	2.03/1.5	–	15.7/3529	0.71
50SLR	15.875	10.16	9.40	5.08	20.70	22.2	15.09	2.03	–	22.0/5045	1.02
50SLR-2	15.875	10.16	9.40	5.08	38.90	40.4	15.09	2.03	18.11	44.4/10091	2.00
50HSLR-2	15.875	10.16	9.60	5.08	42.00	43.1	15.09	2.42	19.70	43.6/9801	2.50
#C50SLR	15.875	10.16	9.40	5.08	20.70	22.2	15.09	2.03	–	21.8/4901	1.21
60SLR	19.050	11.91	12.57	5.94	27.50	29.3	18.00	3.25/2.42	–	34.2/7772	1.65
60SLR-2	19.050	11.91	12.57	5.94	50.30	52.1	18.00	2.42	22.78	68.4/15544	3.21
12ASLR-3	19.050	11.91	12.57	5.94	71.50	73.3	18.00	2.42	22.78	93.4/20996	4.57
60HSLR	19.050	11.91	12.57	5.94	29.20	31.0	18.00	3.25	–	31.8/7227	1.95
60HSLR-2	19.050	11.91	12.57	5.94	55.30	57.1	18.00	3.25	26.11	63.6/14297	3.74
#C60SLR	19.050	11.91	12.57	5.94	25.90	27.7	18.20	2.42	–	31.8/7227	1.83
#C60SLR-2	19.050	11.91	12.57	5.94	48.80	50.5	18.20	2.42	22.78	66.3/14904	3.56
80SLR	25.400	15.88	15.75	7.92	32.70	35.0	24.00	3.25	–	56.7/12886	2.60
80SLR-2	25.400	15.88	15.75	7.92	62.70	64.3	24.00	3.25	29.29	113.4/25773	5.15
80HSLR	25.400	15.88	15.75	7.92	36.20	38.9	24.00	4.00	–	56.7/12886	3.03
#C80SLR	25.400	15.88	15.75	7.92	32.70	35.0	24.00	3.25	–	56.7/12886	3.10
100SLR	31.750	19.05	18.90	9.53	40.40	44.7	30.00	4.00	–	86.7/19699	3.94
100SLR-2	31.750	19.05	18.90	9.53	76.40	80.5	30.00	4.00	35.76	173.4/39399	7.89
#C20ASLR-2	31.750	19.05	18.90	9.53	76.40	80.5	30.00	4.00	35.76	173.5/39003	9.06
20ASLR-3	31.750	19.05	18.90	9.53	112.20	116.3	30.00	4.00	35.76	261.0/58673	11.87

#Gerade Laschen

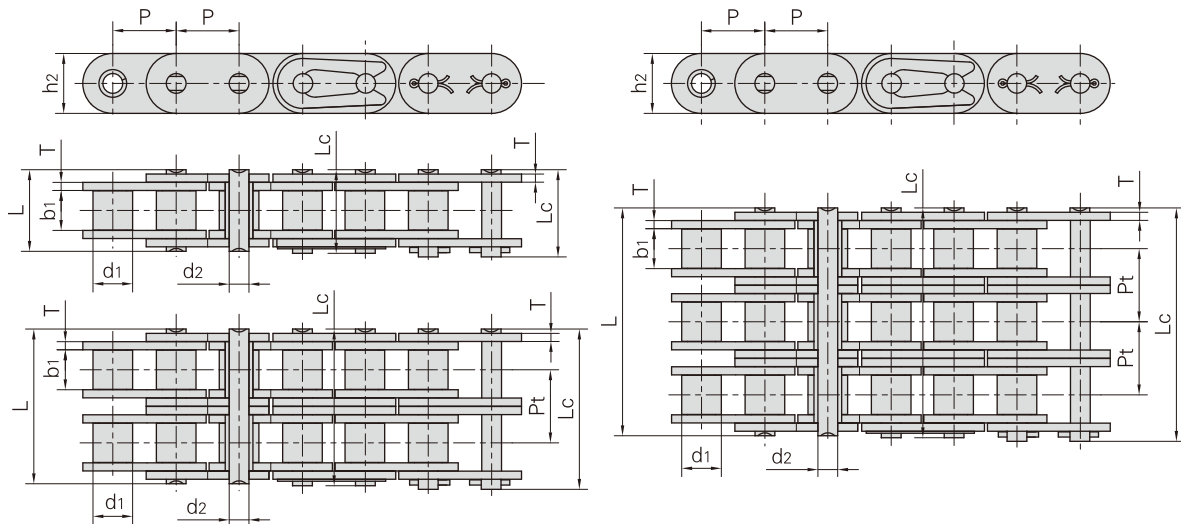
## Selbstschmierende Rollenketten



Donghua Ketten Nr.	Teilung	Rollen-durchmesser	Lichte Weite	Bolzen-durchmesser	Bolzenlänge		Innen-laschen-höhe	Laschen-dicke	Mitten-abstand	Bruchkraft	Gewicht pro Meter
	P mm	d1 max mm	b1 min mm	d2 max mm	L max mm	Lc max mm	h2 max mm	t/T max mm	Pt mm	Q min kN/lbf	q kg/m
#06BSLR	9.525	6.35	5.72	3.28	13.15	14.1	8.20	1.30	–	9.0/2045	0.41
08BSLR	12.700	8.51	7.75	4.45	16.70	18.2	11.80	1.60	–	18.0/4091	0.69
08BSLR-2	12.700	8.51	7.75	4.45	31.20	32.2	11.80	1.60	13.92	32.0/7273	1.34
08BSLR-3	12.700	8.51	7.75	4.45	45.10	46.1	11.80	1.60	13.92	44.5/10004	2.07
#C08BSLR	12.700	8.51	7.75	4.45	16.70	18.2	11.80	1.60	–	18.0/4046	0.78
#C08BSLR-2	12.700	8.51	7.75	4.45	31.00	32.2	11.80	1.60	13.92	32.0/7194	1.55
08BSLRF1	12.700	8.51	7.75	4.45	17.30	18.7	11.80	1.60	–	18.0/4091	0.72
10BSLR	15.875	10.16	9.65	5.08	19.50	20.9	14.70	1.70	–	22.4/5091	0.93
10BSLR-2	15.875	10.16	9.65	5.08	36.10	37.5	14.70	1.70	16.59	44.5/10114	1.84
10BSLR-3	15.875	10.16	9.65	5.08	52.70	54.1	14.70	1.70	16.59	66.7/14994	2.52
#C10BSLR	15.875	10.16	9.65	5.08	19.50	20.9	14.70	1.70	–	22.4/5089	1.06
#C10BSLR-2	15.875	10.16	9.65	5.08	36.10	37.5	14.70	1.70	16.59	36.5/8205	2.08
10BSLRF1	15.875	10.16	9.65	5.08	19.90	21.6	14.70	1.70	–	22.4/5091	0.97
12BSLR	19.050	12.07	11.68	5.72	22.50	24.2	16.00	1.85	–	29.0/6591	1.15
12BSLR-2	19.050	12.07	11.68	5.72	42.00	43.6	16.00	1.85	19.46	57.8/13136	2.31
12BSLR-3	19.050	12.07	11.68	5.72	61.50	63.1	16.00	1.85	19.46	86.7/19490	3.50
#C12BSLR	19.050	12.07	11.68	5.72	22.90	24.9	16.00	1.85	–	29.0/6589	1.32
#C12BSLR-2	19.050	12.07	11.68	5.72	42.00	43.6	16.00	1.85	19.46	57.8/13136	2.31
12BSLRF1	19.050	12.07	11.68	5.72	22.90	24.7	16.00	1.85	–	29.0/6591	1.19
16BSLR	25.400	15.88	17.02	8.28	36.10	37.4	21.00	4.15/3.1	–	60.0/13636	2.71
16BSLR-2	25.400	15.88	17.02	8.28	68.00	69.3	21.00	4.15/3.1	31.88	106.0/24091	5.42
#C16BSLR	25.400	15.88	17.02	8.28	36.10	39.1	21.00	4.15/3.1	–	60.0/13488	2.92
#C16BSLR-2	25.400	15.88	17.02	8.28	68.00	71.0	21.00	4.15/3.1	31.88	106.0/23829	5.87
#C16BSLR-3	25.400	15.88	17.02	8.28	99.80	102.9	21.00	4.15/3.1	31.88	160.0/35968	8.77
16BSLRF1	25.400	15.88	17.02	8.28	36.70	39.7	21.00	4.15/3.1	–	60.0/13636	2.73
16BSLRF4	25.400	15.88	17.02	8.28	36.10	39.1	21.00	4.15/3.1	–	60.0/13636	2.77
#C16BF1SLR	25.400	15.88	17.02	8.28	36.10	37.4	24.00	4.15/3.1	–	60.0/13633	3.38
#C16BSLRF1	25.400	15.88	17.02	8.28	36.70	39.7	21.00	4.15/3.1	–	60.0/13633	2.98
#C16BSLRF2	25.400	15.88	17.02	8.28	36.70	38.2	24.00	4.15/3.1	–	60.0/13633	3.39
24BSLR	38.100	25.40	25.40	14.63	53.40	57.8	33.20	6.0/4.8	–	160.0/35968	7.08
24BSLR-2	38.100	25.40	25.40	14.63	101.70	106.2	33.20	6.0/4.8	48.36	319.2/71756	12.43

#Gerade Laschen

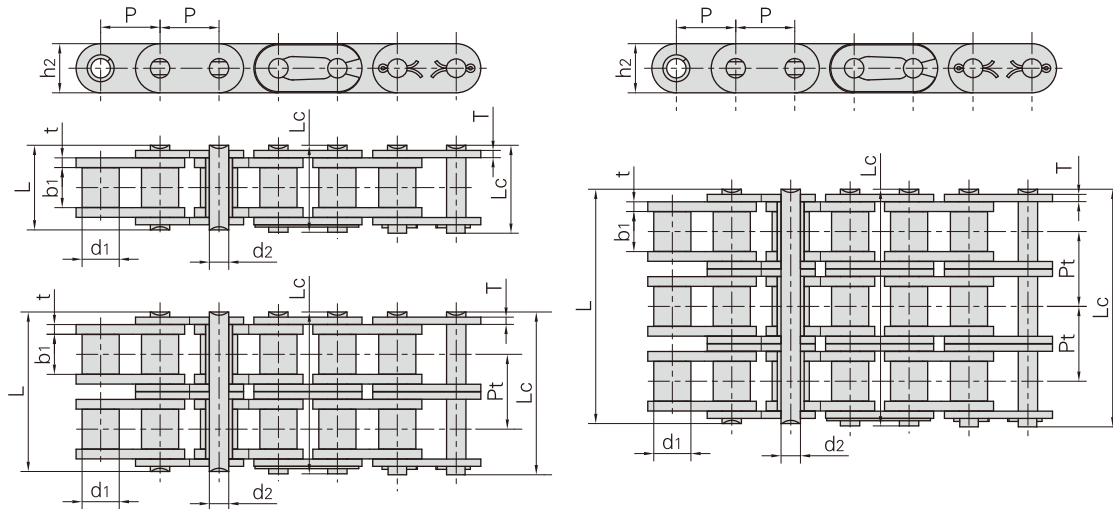
## Rollenketten mit graden Laschen ( A Serie)



Donghua Ketten Nr.	Teilung	Rollen- durch- messer	Lichte Weite	Bolzen- durch- messer	Bolzenlänge		Innen- laschen- höhe	Laschen- dicke	Mitten- abstand	Bruchkraft	Durch- schnittliche Bruchkraft	Gewicht pro Meter	
	P	d1 max	b1 min	d2 max	L max	Lc max	h2 max	T max	Pt	Q min	Q0	q	
	mm	mm	mm	mm	mm	mm	mm	mm	mm	kN/lbf	kN	kg/m	
*C35-1	9.525	5.08	4.77	3.58	13.3	14.3	9.00	1.30	—	7.9/1795	10.8	0.41	
C08A-1	C40-1	12.700	7.95	7.85	3.96	16.6	18.8	12.00	1.50	—	14.1/3273	17.5	0.73
C10A-1	C50-1	15.875	10.16	9.40	5.08	20.7	23.3	15.09	2.03	—	22.2/5045	29.4	1.23
C12A-1	C60-1	19.050	11.91	12.57	5.94	25.9	28.3	18.00/18.20	2.42	—	31.8/7227	41.5	1.81/1.83
C16A-1	C80-1	25.400	15.88	15.75	7.92	32.7	36.5	24.00	3.25	—	56.7/12886	69.4	3.09
C20A-1	C100-1	31.750	19.05	18.90	9.53	40.4	44.7	30.00	4.00	—	88.5/20114	109.2	4.56
C24A-1	C120-1	38.100	22.23	25.22	11.10	50.3	54.3	35.70	4.80	—	127.0/28864	156.3	6.86
C28A-1	C140-1	44.450	25.40	25.22	12.70	54.4	59.0	41.00	5.60	—	172.4/39182	212.0	8.49
C32A-1	C160-1	50.800	28.58	31.55	14.27	64.8	69.6	47.80	6.40	—	226.8/51545	278.9	11.50
C08A-2	C40-2	12.700	7.95	7.85	3.96	31.0	33.2	12.00	1.50	14.38	28.2/6409	35.9	1.43
C10A-2	C50-2	15.875	10.16	9.40	5.08	38.9	41.4	15.09	2.03	18.11	44.4/10091	58.1	2.42
C12A-2	C60-2	19.050	11.91	12.57	5.94	48.8	51.1	18.00/18.20	2.42	22.78	63.6/14455	82.1	3.58/3.62
C16A-2	C80-2	25.400	15.88	15.75	7.92	62.7	65.8	24.00	3.25	29.29	113.4/25773	141.8	6.12
C20A-2	C100-2	31.750	19.05	18.90	9.53	76.4	80.5	30.00	4.00	35.76	177.0/40227	219.4	9.08
C24A-2	C120-2	38.100	22.23	25.22	11.10	95.8	99.7	35.70	4.80	45.44	254.0/57727	314.9	13.60
C28A-2	C140-2	44.450	25.40	25.22	12.70	103.3	107.9	41.00	5.60	48.87	344.8/78364	427.5	16.86
C32A-2	C160-2	50.800	28.58	31.55	14.27	123.3	128.1	47.80	6.40	58.55	453.6/103091	562.4	22.90
C08A-3	C40-3	12.700	7.95	7.85	3.96	45.4	47.6	12.00	1.50	14.38	42.3/9614	50.0	2.14
C10A-3	C50-3	15.875	10.16	9.40	5.08	57.0	59.5	15.09	2.03	18.11	66.6/15136	77.8	3.62
C12A-3	C60-3	19.050	11.91	12.57	5.94	71.5	73.9	18.00/18.20	2.42	22.78	95.4/21682	111.1	5.36/5.41
C16A-3	C80-3	25.400	15.88	15.75	7.92	91.7	95.1	24.00	3.25	29.29	170.1/38659	198.4	9.10
C20A-3	C100-3	31.750	19.05	18.90	9.53	112.2	116.3	30.00	4.00	35.76	265.5/60341	309.6	13.60
C24A-3	C120-3	38.100	22.23	25.22	11.10	141.4	145.2	35.70	4.80	45.44	381.0/86591	437.2	20.43
C28A-3	C140-3	44.450	25.40	25.22	12.70	152.2	156.8	41.00	5.60	48.87	517.2/117545	593.3	25.23
C32A-3	C160-3	50.800	28.58	31.55	14.27	181.8	186.6	47.80	6.40	58.55	680.4/154636	780.6	34.19

\*Buchsenketten: d1 bezeichnet in der Tabelle den Außendurchmesser der Buchse

## Rollenketten mit graden Laschen ( B Serie)



Donghua Ketten Nr.	Teilung	Rollen-durchmesser	Lichte Weite	Bolzen-durchmesser	Bolzenlänge		Innen-laschen-höhe	Laschen-dicke	Mitten-abstand	Bruchkraft	Durch-schnittliche Bruchkraft	Gewicht pro Meter
	P	d1 max	b1 min	d2 max	L max	Lc max	h2 max	t/T max	Pt	Q min	Q0	q
	mm	mm	mm	mm	mm	mm	mm	mm	mm	kN/lbf	kN	kg/m
C08B-1	12.700	8.51	7.75	4.45	16.7	18.2	11.8	1.60	-	18.0/4091	19.5	0.80
C10B-1	15.875	10.16	9.65	5.08	19.5	20.9	14.7	1.70	-	22.4/5091	27.9	1.06
C12B-1	19.050	12.07	11.68	5.72	22.5	25.2	16.0	1.85	-	29.0/6591	32.2	1.32
C16B-1	25.400	15.88	17.02	8.28	36.1	39.1	21.0/24.0	4.15/3.10	-	60.0/13636	72.8	3.08/3.49
C20B-1	31.750	19.05	19.56	10.19	41.3	45.0	26.4	4.50/3.50	-	95.0/21591	106.7	4.16
C24B-1	38.100	25.40	25.40	14.63	53.4	57.8	33.2	6.00/4.80	-	160.0/36364	178.0	7.47
C28B-1	44.450	27.94	30.99	15.90	65.1	69.5	36.7	7.50/6.00	-	200.0/45455	222.0	9.90
C32B-1	50.800	29.21	30.99	17.81	66.0	71.0	42.0	7.00/6.00	-	250.0/56818	277.5	10.45
C08B-2	12.700	8.51	7.75	4.45	31.2	32.2	11.8	1.60	13.92	32.0/7273	38.7	1.45
C10B-2	15.875	10.16	9.65	5.08	36.1	37.5	14.7	1.70	16.59	44.5/10114	57.8	2.00
C12B-2	19.050	12.07	11.68	5.72	42.0	44.7	16.0	1.85	19.46	57.8/13136	66.1	2.62
C16B-2	25.400	15.88	17.02	8.28	68.0	71.0	21.0/24.0	4.15/3.10	31.88	106.0/24091	133.0	6.10/6.92
C20B-2	31.750	19.05	19.56	10.19	77.8	81.5	26.4	4.50/3.50	36.45	170.0/38636	211.2	8.23
C24B-2	38.100	25.40	25.40	14.63	101.7	106.2	33.2	6.00/4.80	48.36	280.0/63636	319.2	14.77
C28B-2	44.450	27.94	30.99	15.90	124.6	129.1	36.7	7.50/6.00	59.56	360.0/81818	406.8	19.82
C32B-2	50.800	29.21	30.99	17.81	124.6	129.6	42.0	7.00/6.00	58.55	450.0/102273	508.5	20.94
C08B-3	12.700	8.51	7.75	4.45	45.1	46.1	11.8	1.60	13.92	47.5/10795	57.8	2.10
C10B-3	15.875	10.16	9.65	5.08	52.7	54.1	14.7	1.70	16.59	66.7/15159	84.5	2.87
C12B-3	19.050	12.07	11.68	5.72	61.5	64.2	16.0	1.85	19.46	86.7/19705	101.8	3.89
C16B-3	25.400	15.88	17.02	8.28	99.8	102.9	21.0/24.0	4.15/3.10	31.88	160.0/36364	203.7	9.12/10.34
C20B-3	31.750	19.05	19.56	10.19	114.2	117.9	26.4	4.50/3.50	36.45	250.0/56818	290.0	11.34
C24B-3	38.100	25.40	25.40	14.63	150.1	154.6	33.2	6.00/4.80	48.36	425.0/96591	493.0	22.10
C28B-3	44.450	27.94	30.99	15.90	184.2	188.7	36.7	7.50/6.00	59.56	530.0/120454	609.5	29.64
C32B-3	50.800	29.21	30.99	17.81	183.2	188.2	42.0	7.00/6.00	58.55	670.0/152273	770.5	31.27