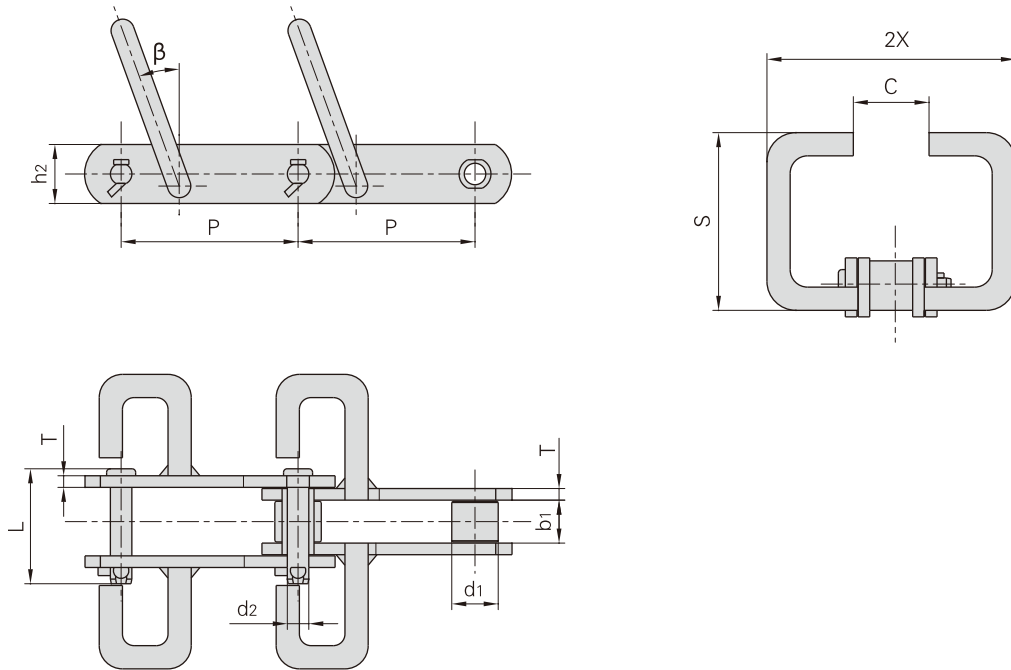


Kratzer-Förderketten

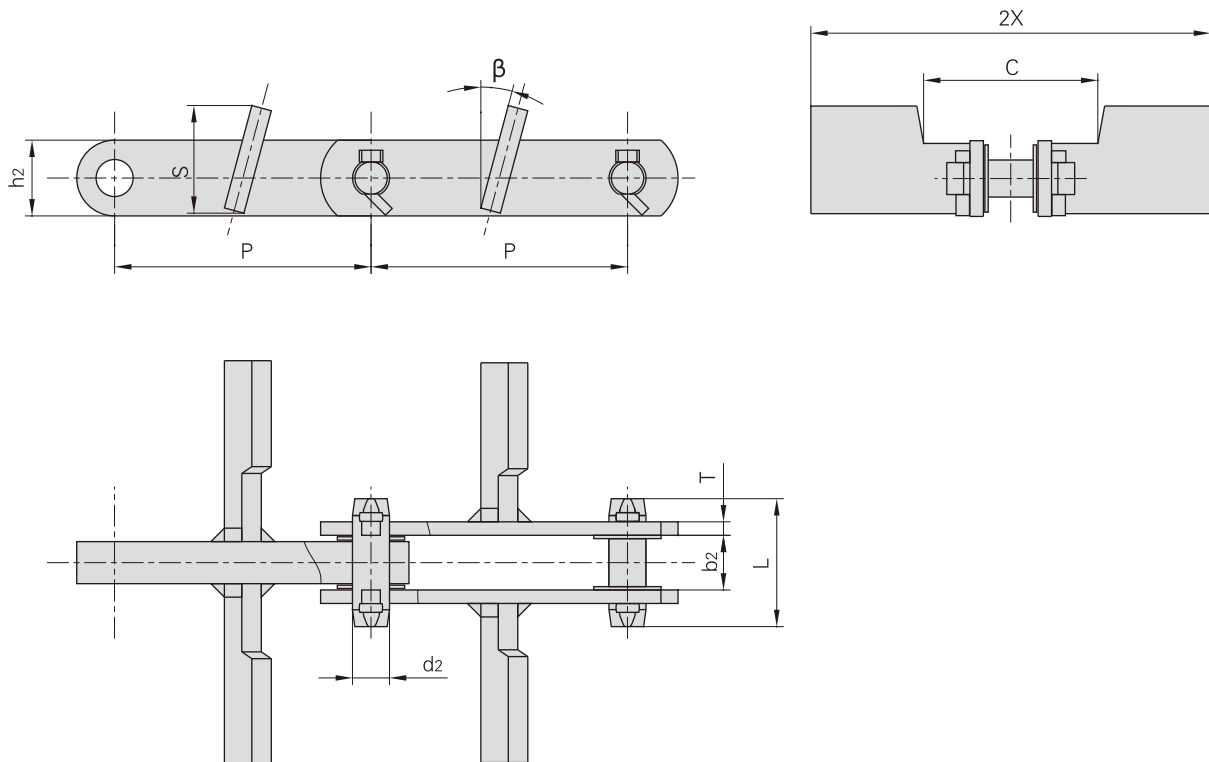
Ketten- Laufrichtung →



Donghua Ketten Nr.	Teilung	Rollen- durch- messer	Lichte Weite	Bolzen- durch- messer	Bolzen- länge	Laschen- höhe	Laschen- dicke	Winkelabmessungen				Bruchkraft	Gewicht pro Meter
	P	d1 max	b1	d2	L	h2	T	S	2X	C	β	Q	q
	mm	mm	mm	mm	mm	mm	mm	mm	mm	mm		kN/lbf	kg/m
P152F51	152.4	40.0	36.0	18.5	95.5	50.8	10.0	175.0	310.0	110.0	20°	170.0/38242	24.9
P152F221	152.4	63.0	36.5	15.5	86.0	20.0	8.0	91.0	240.0	–	0°	200.0/44960	13.5
P152F222	152.4	36.0	36.5	15.5	86.0	50.0	8.0	71.0	175.0	–	0°	200.0/44960	12.4
P152F232	152.4	36.0	36.5	15.5	86.0	50.0	8.0	100.0	256.0	–	0°	240.0/53952	14.2

Kratzer-Förderketten

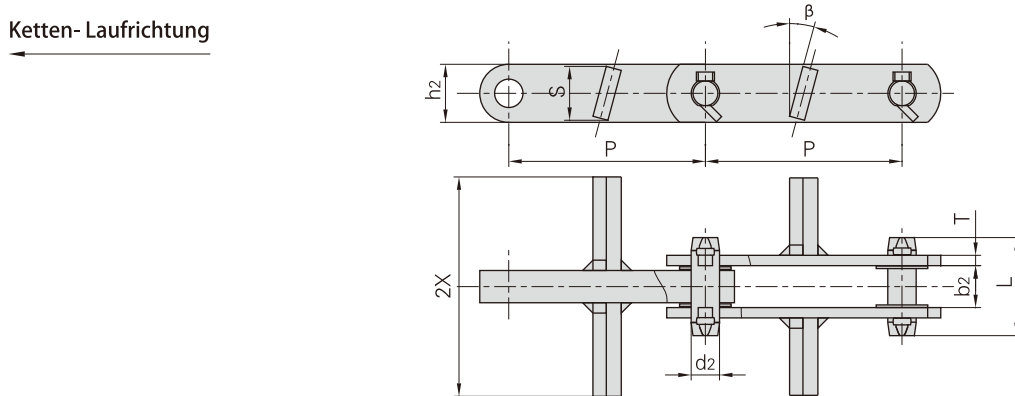
Ketten- Laufrichtung



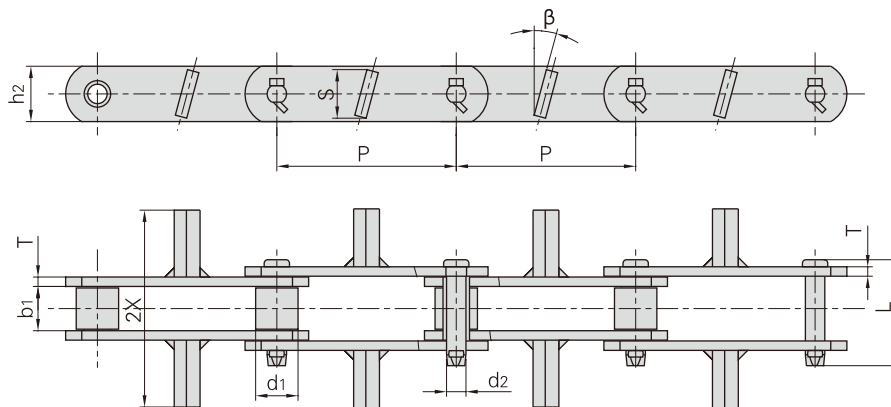
Donghua Ketten Nr.	Teilung	Breite zwischen Außenlaschen	Bolzen-durchmesser	Bolzen-länge	Laschen-höhe	Laschen-dicke	Winkelabmessungen				Bruchkraft	Gewicht pro Meter
	P	b ₂	d ₂	L	h ₂	T	S	2X	C	β	Q	
	mm	mm	mm	mm	mm	mm	mm	mm	mm		kN/lbf	kg/m
P150F17A	150.0	25.0	18.5	67.3	38.1	10.0	115.0	180	112	15°	150.0/33743	14.50
P152F45	152.4	32.5	22.0	76.0	45.0	8.0	64.0	326	104	15°	260.0/58489	20.40
P152F45A	152.4	32.5	22.0	76.0	45.0	8.0	83.0	286	106	15°	260.0/58489	20.80
P152F45B	152.4	32.5	22.0	76.0	45.0	8.0	64.0	276	106	15°	260.0/58489	18.00
P152F45C	152.4	32.5	22.0	76.0	45.0	8.0	64.0	220	106	15°	260.0/58489	16.50
P152F47	152.4	34.0	22.0	85.0	45.0	12.0	81.0	400	106	15°	400.0/89983	30.90
P152F194	152.4	32.5	22.0	80.0	45.0	10.0	65.5	270	105	15°	240.0/50355	15.91
PR152F2	152.4	36.5	15.9	87.0	45.0	8.0	60.0	180	120	15°	253.6/57009	13.20
P152F226	152.4	32.5	22.0	80.0	42.0	10.0	76.8	270	79	15°	260.0/58448	20.10
P200F29	200.0	40.5	35.0	104.0	80.0	13.0	168.0	420	112	15°	530.0/119227	50.60
P200F29A	200.0	40.5	35.0	104.0	80.0	13.0	148.0	430	112	15°	530.0/119227	53.90
P200F35	200.0	33.0	26.5	77.0	50.0	10.0	145.5	430	210	15°	400.0/89983	28.93

Kratzer-Förderketten

Ketten- Laufrichtung

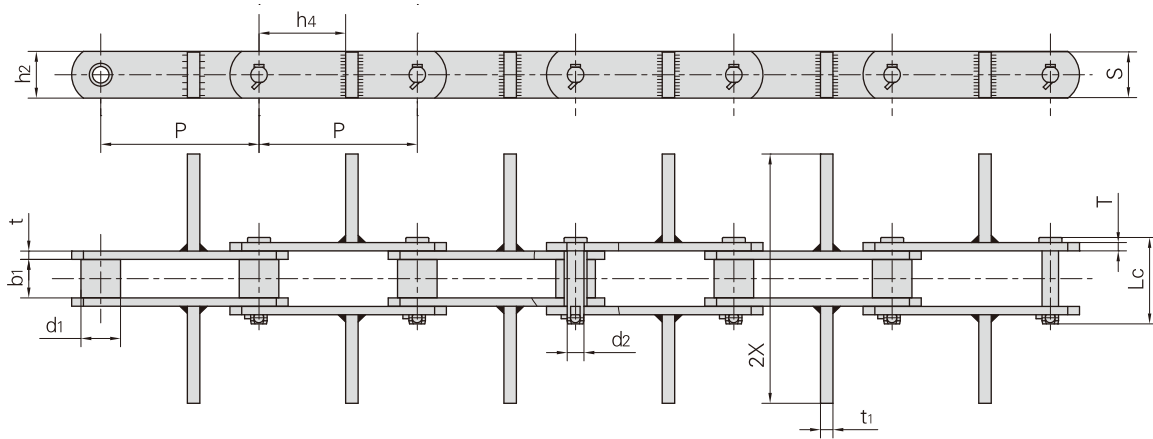


Donghua Ketten Nr.	Teilung	Breite zwischen Außenlaschen	Bolzen-durchmesser	Bolzen-länge	Laschen-höhe	Laschen-dicke	Winkel-abmessungen			Bruchkraft	Gewicht pro Meter
	P	b2	d2	L	h2	T	S	2X	β	Q	q
	mm	mm	mm	mm	mm	mm	mm	mm		kN/lbf	kg/m
P101.6F20	101.6	16.5	17.46	53.7	38.0	6.0	34.0	210.0	45°	100/22496	7.26
P150F17C	150.0	25.0	18.50	67.3	38.1	10.0	36.0	168.0	15°	150/33743	10.60
P152F2	152.4	33.3	22.00	76.0	45.0	8.0	38.0	180.0	20°	260/58489	12.10
P152F45D	152.4	32.5	22.00	76.0	45.0	8.0	42.0	170.0	15°	260/58489	13.50
P152F45E	152.4	32.5	22.00	76.0	45.0	8.0	42.0	280.0	15°	260/58489	16.20
P152F45F	152.4	32.5	22.00	76.0	45.0	8.0	42.0	227.0	15°	260/58489	14.90
P152F46	152.4	40.8	25.00	86.0	50.0	9.0	49.0	290.0	15°	300/67487	20.80

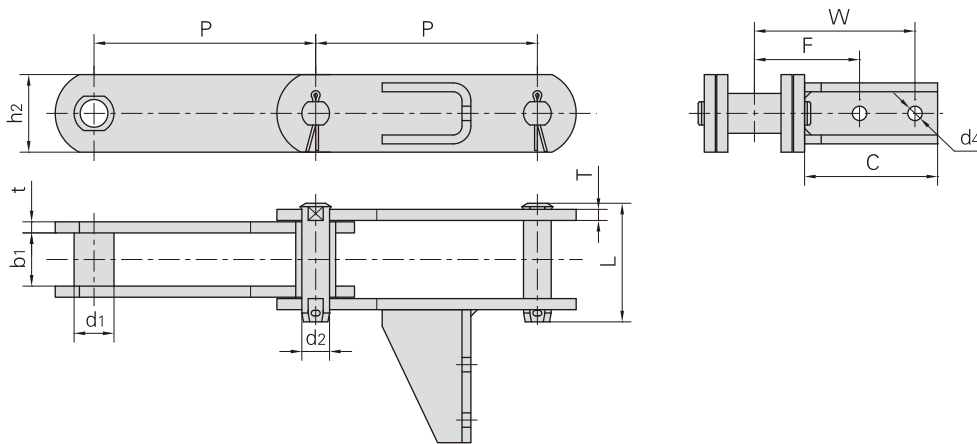


Donghua Ketten Nr.	Teilung	Lichte Weite	Roller-durchmesser	Bolzen-durchmesser	Bolzen-länge	Laschen-höhe	Laschen-dicke	Winkel-abmessungen			Bruchkraft	Gewicht pro Meter
	P	b1	d1	d2	L	h2	T	S	2X	β	Q	q
	mm	mm	mm	mm	mm	mm	mm	mm	mm		kN/lbf	kg/m
P152F48	152.4	37.6	36.0	16.5	90.0	47.0	8.0	42.0	170.0	15°	180/40492	12.1
RF6205MF3	152.4	37.1	38.1	15.9	88.0	45.0	8.0	42.0	170.0	15°	170/38242	12.4

Kratzer-Förderketten

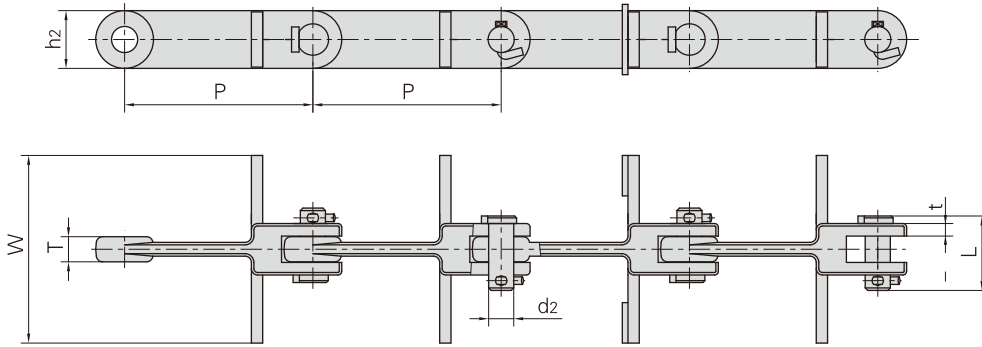


Donghua Ketten Nr.	Teilung	Lichte Weite	Rollen-durchmesser	Bolzen-durchmesser	Bolzen-länge	Laschen-höhe	Laschen-dicke	Winkel-abmessungen				Bruchkraft	Gewicht pro Meter
	P	b1 min	d1	d2 max	Lc max	h2 max	t/T	h4	S	2X	t1	Q	q
	mm	mm	mm	mm	mm	mm	mm	mm	mm	mm	mm	kN/lbf	kg/m
RF6205MF13	152.4	37.1	38.1	15.9	83.5	45.0	8.0	57.0	44.0	240.0	12.0	237.0/53278	14.54

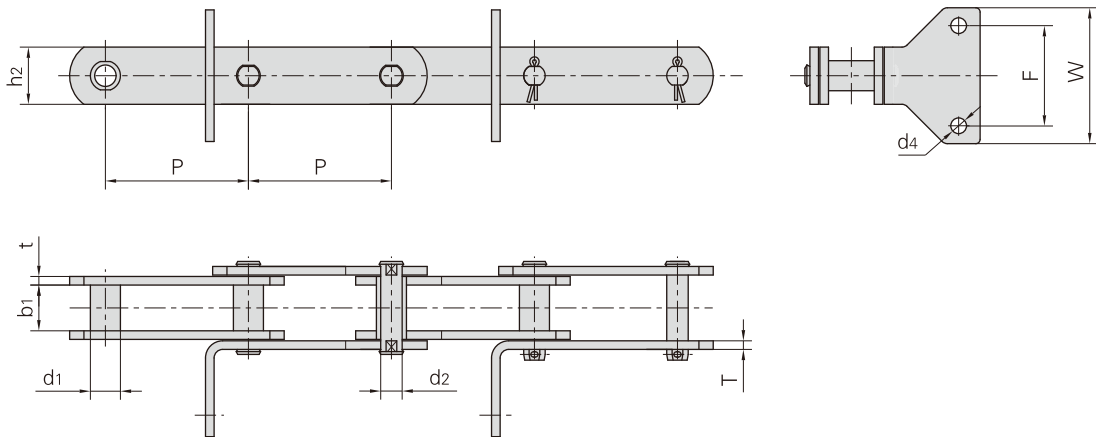


Donghua Ketten Nr.	Teilung	Lichte Weite	Buchsen-durchmesser	Bolzen-durchmesser	Bolzen-länge	Laschen-höhe	Laschen-dicke	Winkel-abmessungen				Bruchkraft	Gewicht pro Meter
	P	b1 min	d1 max	d2 max	L max	h2	t/T	C	F	W	d4	Q	q
	mm	mm	mm	mm	mm	mm	mm	mm	mm	mm	mm	kN/lbf	kg/m
M315F51-B-200	200.0	48.0	36.0	25.0	107.0	70.0	10.0	120.0	95.0	145.0	13.0	450.0/102273	21.94

Kratzer-Förderketten

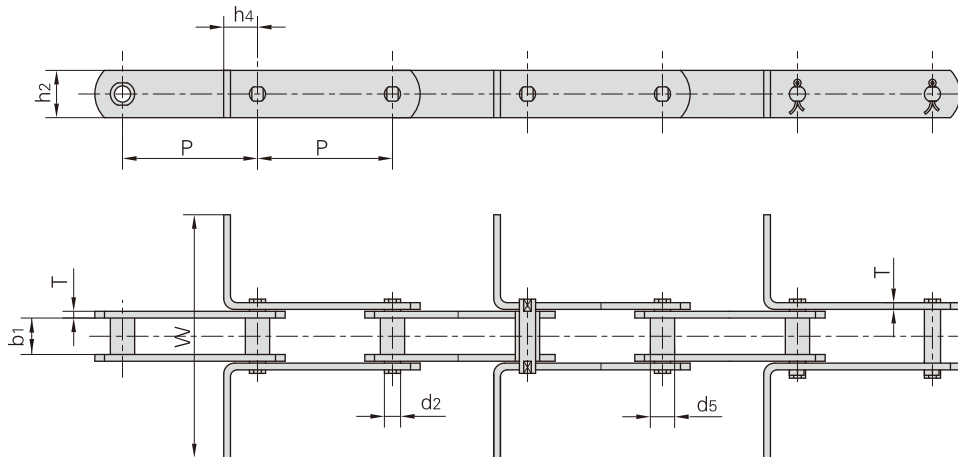


Donghua Ketten Nr.	Teilung	Bolzen-durchmesser	Laschen-höhe	Bolzenlänge	Laschen-dicke	Winkel-abmessungen	Bruchkraft	Gewicht pro Meter
	P	d2 max	h2	L	T/t	W	Q	q
	mm	mm	mm	mm	mm	mm	kN/lbf	kg/m
MCL267-150-T	150.0	20.0	46.0	59.3	20 / 10	220.0	267.0/60000	11.4



Donghua Ketten Nr.	Teilung	Lichte Weite	Buchsen-durchmesser	Bolzen-durchmesser	Laschen-höhe	Laschen-dicke	Winkel-abmessungen			Bruchkraft	Gewicht pro Meter
	P	b1	d1	d2	h2	T	F	W	d4	Q	q
	mm	mm	mm	mm	mm	mm	mm	mm	mm	kN/lbf	kg/m
MR112F21-B-100	100.0	32.0	21.0	15.0	40.0	6.0	70.0	90.0	11.0	95.2/21413	7.45

Kratzer-Förderketten

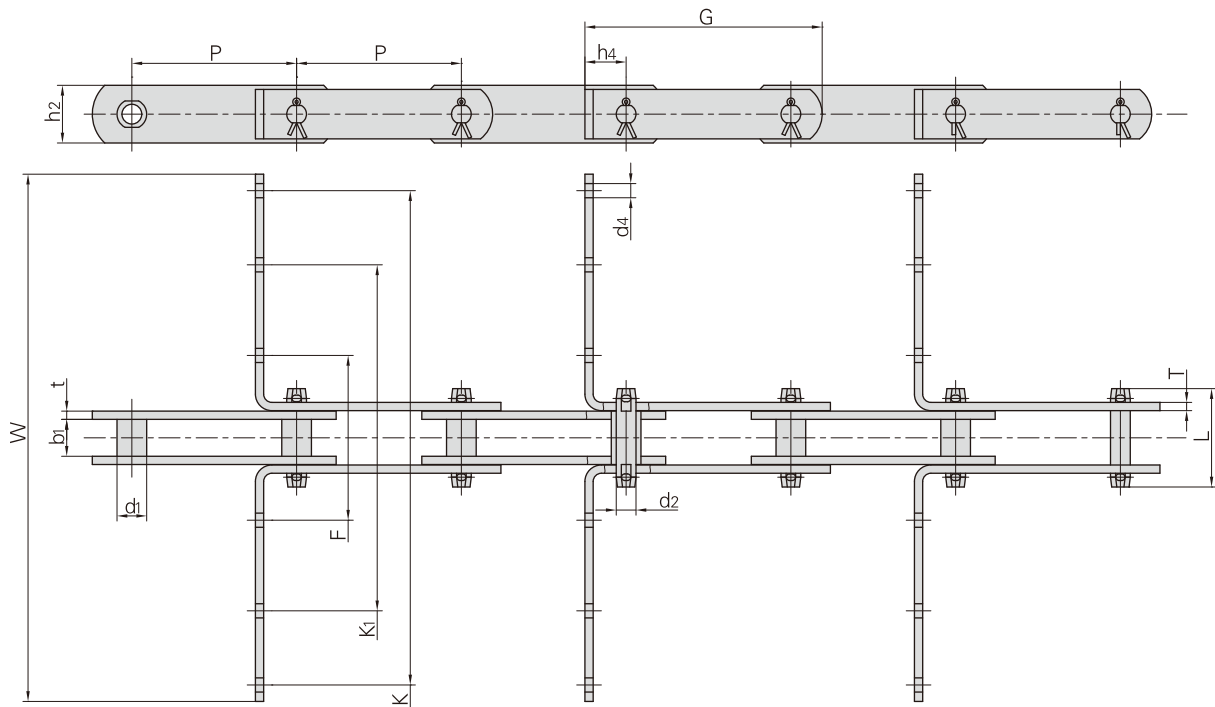


Donghua Ketten Nr.	P			b1 min	d2 max	d5 max	h4	h2 max	T max	W	Q min
	mm										
MR56	100	125	–	24.0	10.0	15.0	20.0	30.0	4.0	•	56.0/12727
MR80	100	125	160	28.0	12.0	18.0	25.0	35.0	5.0	•	80.0/18182
MR112	100	125	160	32.0	15.0	21.0	35.0	40.0	6.0	•	112.0/25454
MR160	100	125	160	37.0	18.0	25.0	40.0	50.0	7.0	•	160.0/36364
MR224	125	160	200	43.0	21.0	30.0	44.0	60.0	8.0	•	224.0/50909
MR315	160	200	250	48.0	25.0	36.0	50.0	70.0	10.0	•	315.0/71591

Donghua Ketten Nr.	P			b1 min	d2 max	d5 max	h4	h2 max	T max	W	Q min
	mm										
FVR40	80	100	125	18.0	10.0	15.0	20.0	25.0	3.0	•	42.0/9545
FVR63	100	125	160	22.0	12.0	18.0	25.0	30.0	4.0	•	64.0/14545
FVR90	100	125	160	25.0	14.0	20.0	30.0	35.0	5.0	•	100.0/22727
FVR112	100	125	160	30.0	16.0	22.0	35.0	40.0	6.0	•	120.0/27272
FVR140	125	160	200	35.0	18.0	26.0	38.0	45.0	6.0	•	145.0/32954
FVR180	125	160	200	45.0	20.0	30.0	44.0	50.0	8.0	•	190.0/43181
FVR250	160	200	250	55.0	26.0	36.0	50.0	60.0	8.0	•	275.0/62499

• Abmessungen gemäß Kundenvorgabe

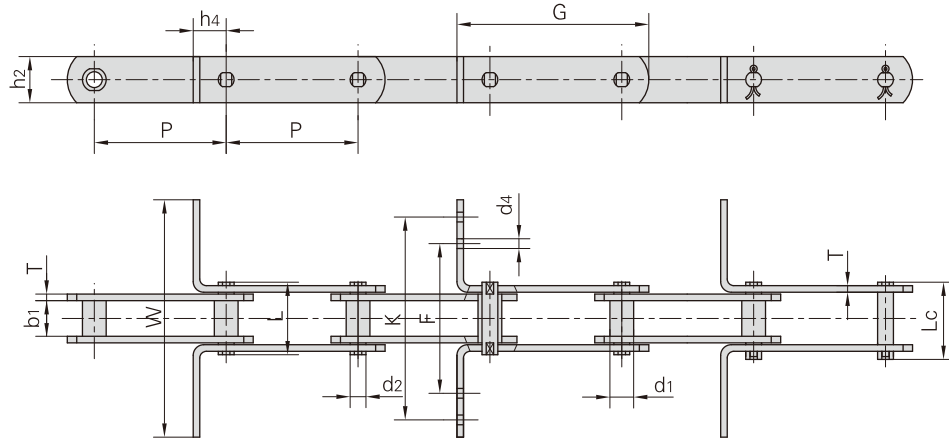
Kratzer-Förderketten



Donghua Ketten Nr.	Teilung	Buchsen-durchmesser	Lichte Weite	Bolzen-durchmesser	Bolzenlänge	Bruchkraft	Durchschnittliche Bruchkraft	Gewicht pro Meter
	P	d ₁ max	b ₁ min	d ₂ max	L max	Q _{min}	Q ₀	q
	mm	mm	mm	mm	mm	kN/lbf	kN	kg/m
PR100F8	100.00	18.00	22.00	12.00	64.00	98.0/22030	107.80	6.10
PR100F5	100.00	18.00	22.00	12.00	62.00	98.0/22030	107.80	5.70
PR100F3	100.00	18.00	22.00	12.00	60.00	98.0/22030	107.80	5.20
PR100F9	100.00	18.00	22.00	12.00	64.00	98.0/22030	107.80	6.70
PR100F6	100.00	18.00	22.00	12.00	62.00	98.0/22030	107.80	6.30
PR100F4	100.00	18.00	22.00	12.00	60.00	98.0/22030	107.80	5.70

Donghua Ketten Nr.	G	F	W	K ₁	K	h ₄	h ₂	d ₄	t/T
	mm	mm	mm	mm	mm	mm	mm	mm	mm
PR100F8	144.00	100.00	230.00	–	210.00	25.00	35.00	10.30	6.00
PR100F5	144.00	100.00	230.00	–	210.00	25.00	35.00	10.30	5.00/6.00
PR100F3	144.00	100.00	230.00	–	210.00	25.00	35.00	10.30	5.00
PR100F9	144.00	100.00	320.00	210.00	300.00	25.00	35.00	10.30	6.00
PR100F6	144.00	100.00	320.00	210.00	300.00	25.00	35.00	10.30	5.00/6.00
PR100F4	144.00	100.00	320.00	210.00	300.00	25.00	35.00	10.30	5.00

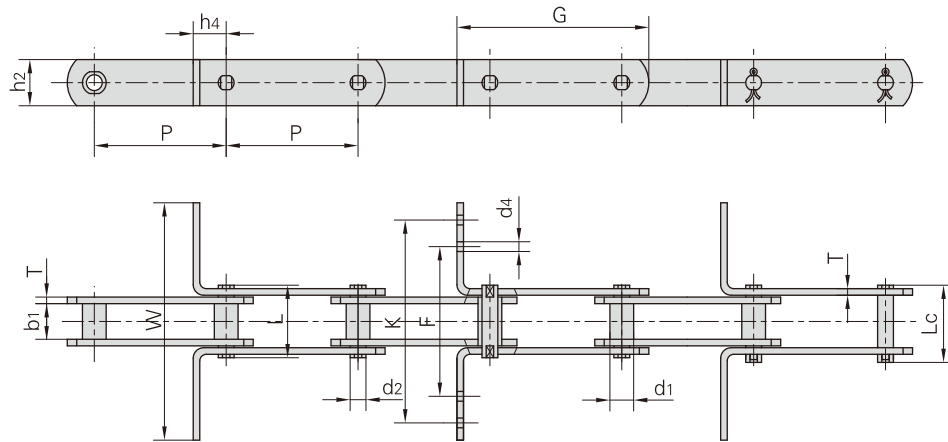
Kratzer-Förderketten



Donghua Ketten Nr.	Teilung	Buchsen-durchmesser	Lichte Weite	Bolzen-durchmesser	Bolzenlänge		Bruchkraft	Durchschnittliche Bruchkraft	Gewicht pro Meter
	P	d1 max	b1 min	d2 max	L max	Lc max	Q min	Q0	q
	mm	mm	mm	mm	mm	mm	kN/lbf	kN	kg/m
P66.5F1	66.5	22.0	27.00	12.00	63.3	–	120.0/26976	132.0	6.10
FVR40F5–P–80	80.0	32.0*	18.00	10.00	36.0	40.0	40.0/8992	44.0	3.20
MR22F1–B–100	100.0	12.0	12.50	8.00	30.6	34.0	22.0/4946	24.2	1.77
MR112F7–S–100	100.0	30.0*	32.00	15.00	64.5	69.0	112.0/25179	123.2	8.95
MR112F8–S–100	100.0	30.0*	32.00	15.00	64.5	69.0	112.0/25179	123.2	9.53
MR160F7–S–100	100.0	36.0*	37.00	18.00	75.7	84.7	160.0/36000	176.0	15.87
MR160F8–S–100	100.0	36.0*	37.00	18.00	75.7	84.7	160.0/36000	176.0	13.80
MR160F11–S–100	100.0	36.0*	37.00	19.60	75.7	84.7	160.0/36000	176.0	13.85
MR160F10–B–100	100.0	25.0	37.00	19.70	75.7	84.7	160.0/36000	176.0	13.16
M80–P100F1	100.0	18.0	28.00	12.00	55.0	58.5	80.0/18162	88.0	5.19
M180–P–100	100.0	26.0	28.85	18.00	62.5	–	180.0/40909	198.0	10.25
FVR40F4–B–100	100.0	15.0	18.00	10.00	40.0	43.5	40.0/8992	44.0	2.88
FVR40F6–B–100	100.0	15.0	18.00	10.00	36.0	40.0	40.0/8992	44.0	2.10
FVR63F2–B–100	100.0	18.0	22.00	12.00	46.0	50.0	64.0/14387	70.4	3.70
FVR63F3–B–100	100.0	18.0	22.00	12.00	46.0	50.0	64.0/11240	70.4	3.90
FVR90F8–B–100	100.0	20.0	25.00	14.00	–	56.4	65.0/14612	71.5	7.80
MR112F19–B–100	100.0	21.0	32.00	15.00	64.5	69.0	112.0/27272	123.2	8.30
MR160F16–S–100	100.0	36.0*	37.00	18.00	75.7	84.7	160.0/36000	176.0	13.70
MR160F20–S–100	100.0	25.0	37.00	18.00	75.7	84.7	160.0/36000	176.0	13.74
P100F16	100.0	23.0	28.00	16.00	66.0	–	115.0/26136	127.0	6.60
P101.6	101.6	44.5	50.80	23.84	136.5	–	600.0/136362	660.0	34.96
PR101.6F1	101.6	24.6	50.80	15.88	98.0	103.0	180.0/40909	198.0	12.10
MR224F1–S–125	125.0	42.0*	43.00	21.00	85.0	91.0	224.0/50357	246.4	17.92
M310–P–125	125.0	40.0*	52.00	20.00	103.4	109.4	303.8/69045	334.0	19.88
M310F1–P–125	125.0	40.0*	52.00	20.00	103.4	109.4	303.8/69045	334.0	24.88

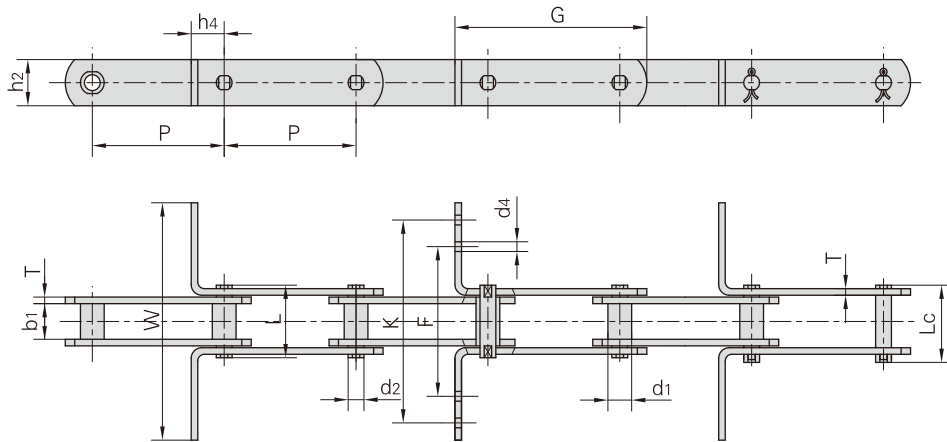
*Bezeichnet den Aussendurchmesser der Rolle

Kratzer-Förderketten



Donghua Ketten Nr.	G	F	W	K	h4	h2	d4	T
	mm	mm	mm	mm	mm	mm	mm	mm
P66.5F1	112.0	100.0	160.0	-	28.75	29.0	13 × 25	6.0
FVR40F5-P-80	104.0	-	80.0	-	20.0	25.0	-	3.0
MR22F1-B-100	132.7	-	150.0	-	16.4	22.0	-	3.0
MR112F7-S-100	160.0	120.0	235.0	205.0	35.0	40.0	12.0	6.0
MR112F8-S-100	160.0	-	285.0	-	35.0	40.0	-	6.0
MR160F7-S-100	170.0	125.0	386.0	356.0	40.0	50.0	12.0	7.0
MR160F8-S-100	170.0	115.0	235.0	205.0	40.0	50.0	18.0	7.0
MR160F11-S-100	170.0	115.0	235.0	205.0	40.0	50.0	19.7	7.0
MR160F10-B-100	170.0	140.0	290.0	260.0	40.0	50.0	19.7	7.0
M80-P100F1	145.5	-	180.0	-	25.0	35.0	-	5.0
M180-P-100	163.0	-	185.0	-	35.0	50.0	-	6.0
FVR40F4-B-100	134.5	-	200.0	-	20.0	25.0	-	4.0
FVR40F6-B-100	140.0	-	130.0	-	25.0	25.0	-	3.0
FVR63F2-B-100	142.5	-	190.0	-	25.0	30.0	-	4.0
FVR63F3-B-100	142.5	-	230.0	-	25.0	30.0	-	4.0
FVR90F8-B-100	145.0	-	250.0	-	25.0	35.0	-	5.0
MR160F20-B-100	165.0	-	280.0	-	40.0	50.0	-	7.0
PR101.6F1	165.8	134.0	223.0	196.0	40.0	38.1	11.1	9.7
MR80F5-B-125	170.0	-	280.0	-	25.0	35.0	-	5.0
P100F16	143.0	91.8	180.0	159.8	25.0	36.0	6.5	6.0
P101.6	198.6	-	206.5	-	62.0	60.0	-	14.5
MR80F7-B-125	170.0	91.5	180.0	156.5	25.0	35.0	6.6	5.0
MR224F1-S-125	203.0	-	235.0	-	44.0	60.0	-	8.0
M310-P-125	195.0	-	270.0	-	35.0	55.0	-	10.0
M310F1-P-125	195.0	-	560.0	-	35.0	55.0	-	10.0

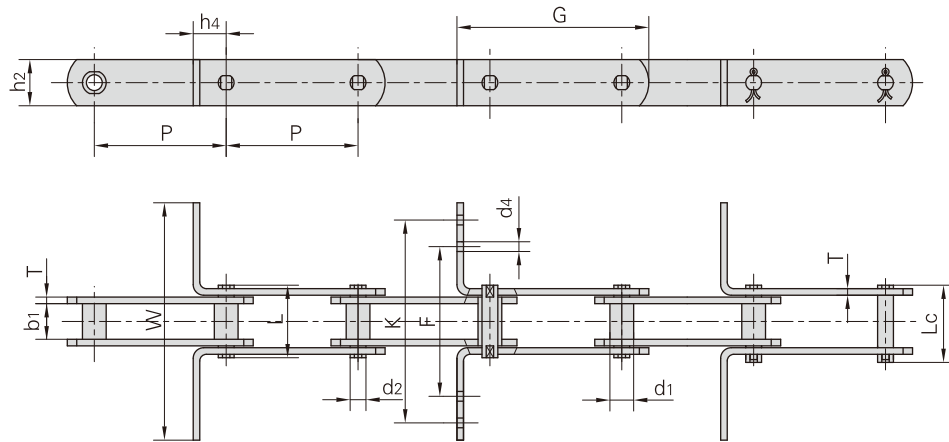
Kratzer-Förderketten



Donghua Ketten Nr.	Teilung	Buchsen- durchmesser	Lichte Weite	Bolzen- durchmesser	Bolzenlänge		Bruchkraft	Durch- schnittliche Bruchkraft	Gewicht pro Meter
	P	d ₁ max	b ₁ min	d ₂ max	L max	L _c max	Q min	Q ₀	q
	mm	mm	mm	mm	mm	mm	kN/lbf	kN	kg/m
FVR90F1-B-125	125.0	20.0	25.00	14.00	52.0	56.4	150.0/33743	165.0	6.16
P125F3	125.0	25.0	36.00	18.00	82.0	-	220.0/49999	242.0	11.17
P125F4	125.0	25.0	36.00	18.00	82.0	-	220.0/49999	242.0	9.83
MR80F5-B-125	125.0	18.0	28.00	12.00	55.0	58.5	80.0/18162	88.0	5.24
MR80F7-B-125	125.0	18.0	28.00	12.00	55.4	60.0	80.0/17984	88.0	5.00
MR80F8-B-125	125.0	18.0	28.00	12.00	59.4	64.0	112.0/27272	123.2	6.30
MR112F11-B-125	125.0	25.0	20.00	19.05	49.0	56.0	112.0/27272	123.2	5.71
MR112F18-B-125	125.0	21.0	32.00	15.00	64.5	69.0	112.0/27272	123.2	7.60
MR160F13-B-125	125.0	25.0	37.00	18.00	75.7	84.7	160.0/36000	176.0	7.90
MR160F18-B-125	125.0	25.0	37.00	18.00	75.7	84.7	160.0/36000	176.0	11.90
MR112F20-B-125	125.0	21.0	32.00	15.00	-	72.5	112.0/27272	123.2	8.52
M310F1-P-150	150.0	40.0*	52.00	20.00	103.4	109.4	303.8/69045	334.0	19.13
PR150F3	150.0	30.0	38.00	21.00	-	83.00	200.0/44960	220.0	12.40
FVR112F4-P-150	150.0	46.0*	20.00	16.00	52.0	56.0	112.0/25454	123.2	6.60
MR112F15-B-150	150.0	21.0	32.00	15.00	64.5	69.0	112.0/27272	123.2	6.95
MR112F16-B-150	150.0	21.0	32.00	15.00	64.5	69.0	112.0/27272	123.2	6.69
FVR112F3-B-155	155.0	22.0	65.00	16.00	109.0	-	120.0/26977	132.0	7.13
MR160F4-S-160	160.0	36.0*	37.00	18.00	85.0	-	160.0/36000	176.0	11.39
FVR180F2-B-160	160.0	30.0	49.00	20.00	91.0	97.0	250.0/56203	275.0	15.53
P160F12	160.0	50.0*	34.00	20.00	77.8	-	160.0/35993	176.0	10.30
MR80F3-B-160	160.0	18.0	28.00	12.00	55.0	58.5	80.0/18162	88.0	4.90
MR450F1-S-200	200.0	60.0*	56.00	30.00	119.0	132.0	450.0/101165	495.0	35.23

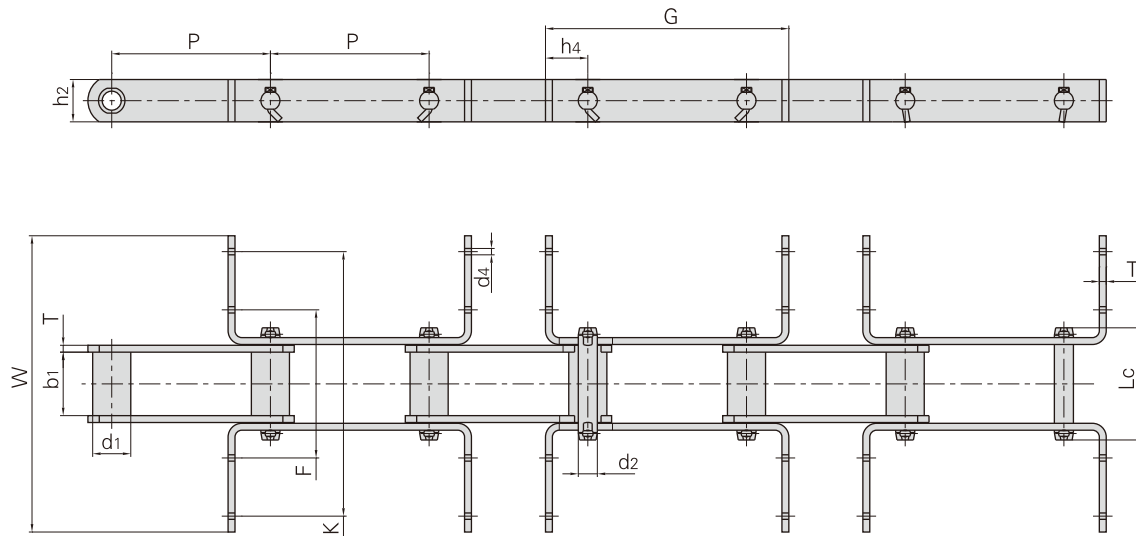
*Bezeichnet den Aussendurchmesser der Rolle

Kratzer-Förderketten



Donghua Ketten Nr.	G	F	W	K	h ₄	h ₂	d ₄	T
	mm	mm	mm	mm	mm	mm	mm	mm
FVR90F1-B-125	175.0	90.0	290.0	270.0	30.0	40.0	9.0	5.0
P125F3	190.0	139.5	290.0	259.5	35.0	51.0	8.5	6.0
P125F4	190.0	119.5	220.0	191.5	35.0	51.0	8.5	6.0
MR160F16-S-100	170.0	118.0	235.0	208.0	40.0	50.0	12.0	7.0
MR80F8-B-125	175.0	92.0	280.0	252.0	30.0	35.0	6.5	6.0
MR112F11-B-125	184.0	90.0	190.0	160.0	35.0	40.0	7.0	5.0
MR112R18-B-125	185.0	-	235.0	-	35.0	40.0	-	6.0
MR112F19-B-100	185.0	-	235.0	-	35.0	40.0	-	6.0
MR112F20-B-125	185.0	-	240.0	-	35.0	40.0	-	6.0
MR160F13-B-125	195.0	-	230.0	-	40.0	50.0	-	7.0
MR160F18-B-125	195.5	-	320.0	-	40.0	50.0	-	7.0
M310F1-P-150	220.0	-	350.0	-	40.0	50.0	-	10.0
PR150F3	234.0	98.0	210.0	250.0	50.0	56.0	11.0	8.0
FVR112F4-P-150	203.0	83.0	109.0	-	28.0	40.0	10.0	6.0
MR80F3-B-160	205.0	-	320.0	-	25.0	35.0	-	5.0
MR112F15-B-150	210.0	120.0	280.0	240.0	35.0	40.0	9.0	6.0
FVR112F3-B-155	207.5	-	250.0	-	30.0	40.0	-	6.0
MR160F4-S-160	248.5	140.0	300.0	250.0	63.5	50.0	18.0	7.0
FVR180F2-B-160	230.0	248.0	368.0	308.0	35.0	60.0	8.0	8.0
P160F12	230.0	-	214.5	-	40.0	50.0	-	6.0
MR112F16-B-150	210.0	100.0	240.0	200.0	35.0	40.0	9.0	6.0
MR450F1-S-200	307.0	-	488.0	-	60.0	80.0	-	12.0

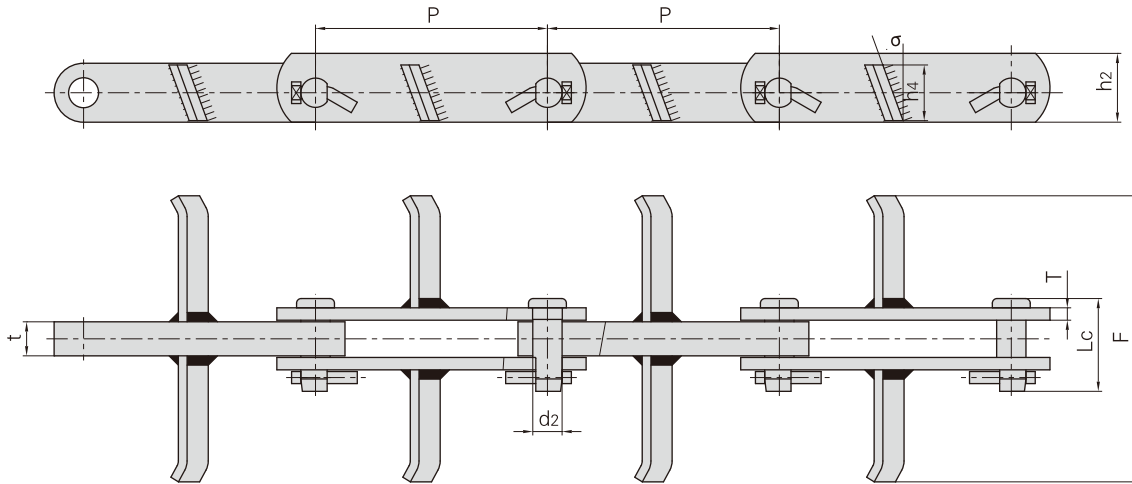
Kratzer-Förderketten



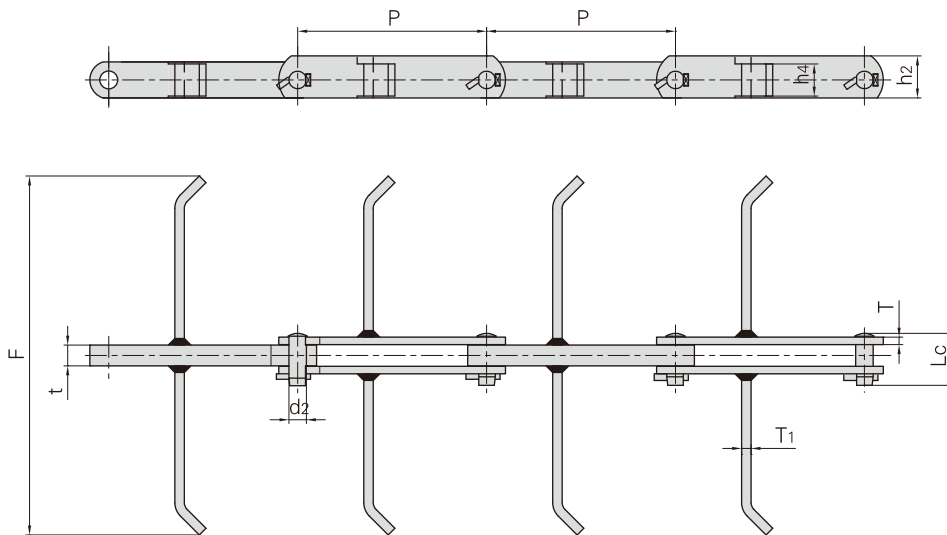
Donghua Ketten Nr.	Teilung	Buchsen-durchmesser	Lichte Weite	Bolzen-durchmesser	Bolzenlänge	Bruchkraft	Durchschnittliche Bruchkraft	Gewicht pro Meter
	P mm	d1 max mm	b1 min mm	d2 max mm	Lc max mm	Q min kN/lbf	Q0 kN	q kg/m
PR150F4	150.0	36.0	60.00	18.00	106.00	160.0/35968	176.00	11.50
P150F147	150.0	36.0	55.00	25.40	116.00	330.0/74184	363.00	27.80

Donghua Ketten Nr.	G	F	W	K	h4	h2	d4	T
	mm	mm	mm	mm	mm	mm	mm	mm
PR150F4	230.0	140.0	280.0	250.0	40.0	40.0	6.0	6.5
P150F147	236.0	-	380.0	-	43.0	60.0	-	8.0

Kratzer-Förderketten

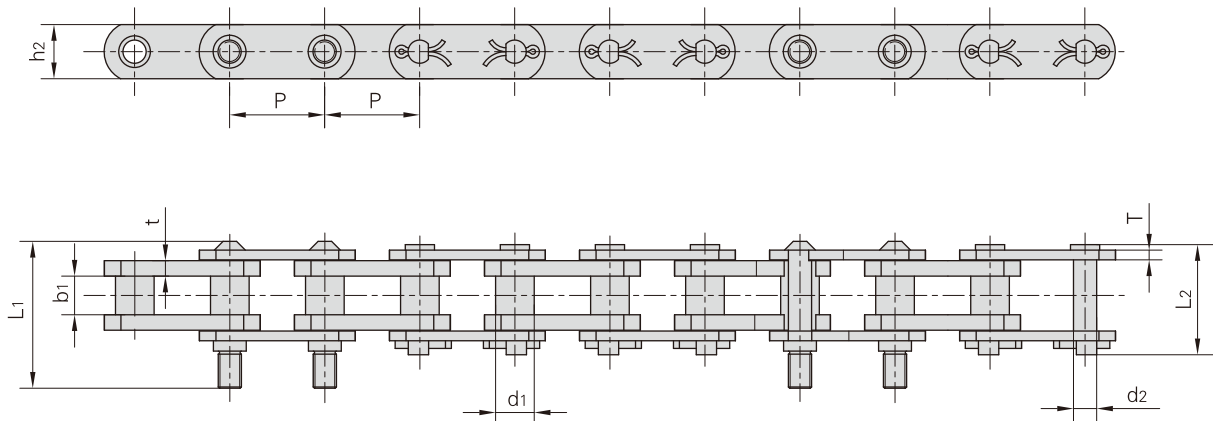


Donghua Ketten Nr.	Teilung	Bolzen-durchmesser	Bolzen-länge	Laschen-höhe	Laschen-dicke	Winkelabmessungen			Bruchkraft	Durchschnittliche Bruchkraft	Gewicht pro Meter
	P mm	d2 max mm	Lc max mm	h2 max mm	t/T max mm	F mm	h4 mm	σ mm	Q min kN/lbf	Qo min mm	q kg/m
BC150F1	150.0	18.95	60.0	44.5	22.0/7.9	185.0	36.0	20°	280.6/63081	308.7	8.90



Donghua Ketten Nr.	Teilung	Bolzen-durchmesser	Bolzen-länge	Laschen-höhe	Laschen-dicke	Winkelabmessungen			Bruchkraft	Durchschnittliche Bruchkraft	Gewicht pro Meter
	P mm	d2 max mm	Lc max mm	h2 max mm	t/T max mm	F mm	T1 mm	h4 mm	Q min kN/lbf	Qo min mm	q kg/m
BC200F5	200.0	18.50	56.0	44.5	22.0/7.9	380.0	10.0	34.0	280.6/63081	308.7	11.90

Förderketten für Kohlewäscher



Donghua Ketten Nr.	Teilung	Buchsen-durchmesser	Lichte Weite	Bolzen-durchmesser	Bolzenlänge		Laschen-höhe	Laschen-dicke	Bruchkraft	Durch-schnittliche Bruchkraft	Gewicht pro Meter
	P	d1 max	b1 min	d2 max	L1 max	L2 max	h2 max	t/T max	Q min	Q0 min	q
	mm	mm	mm	mm	mm	mm	mm	mm	kN/lbf	kN	kg/m
*P78	78.1	31.75	34.50	19.05	128.5	90.5	44.5	9.6	140.0/31818	166.88	14.09
P78F1	78.1	31.75	31.75	19.05	122.0	90.5	44.5	12.7/8.0	140.0/31818	166.88	14.22
*P78F2	78.1	31.75	31.75	19.05	129.0	90.5	44.5	12.7/8.0	140.0/31818	166.88	14.59
*P78F3	78.1	31.75	31.25	19.05	124.0	90.5	44.5	12.7/8.0	140.0/31818	166.88	14.60
#P78F5	78.1	31.75	34.50	19.05	124.0	91.0	44.5	9.7	140.0/31818	166.88	14.75
#P78F6	78.1	31.75	32.00	20.70	127.0	93.0	46.0	10.0	140.0/31818	166.88	15.40

*Verb. Glied mit langem Splint

#Verb. Glied mit T-Bolzen