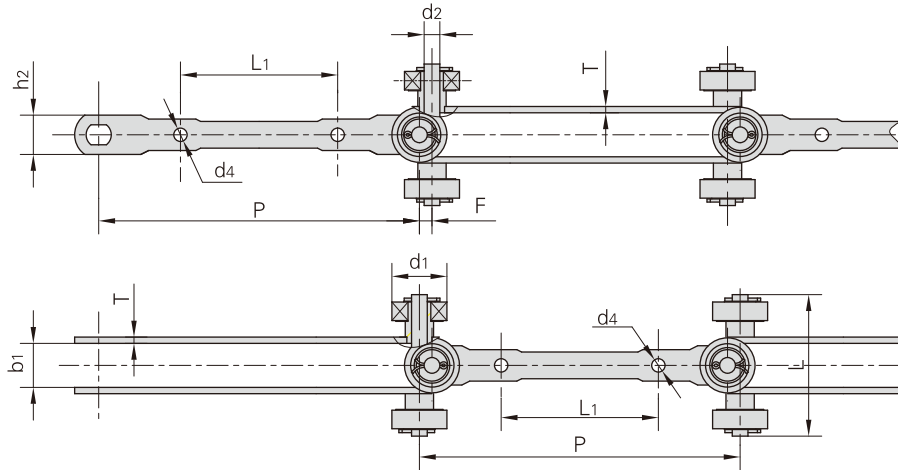
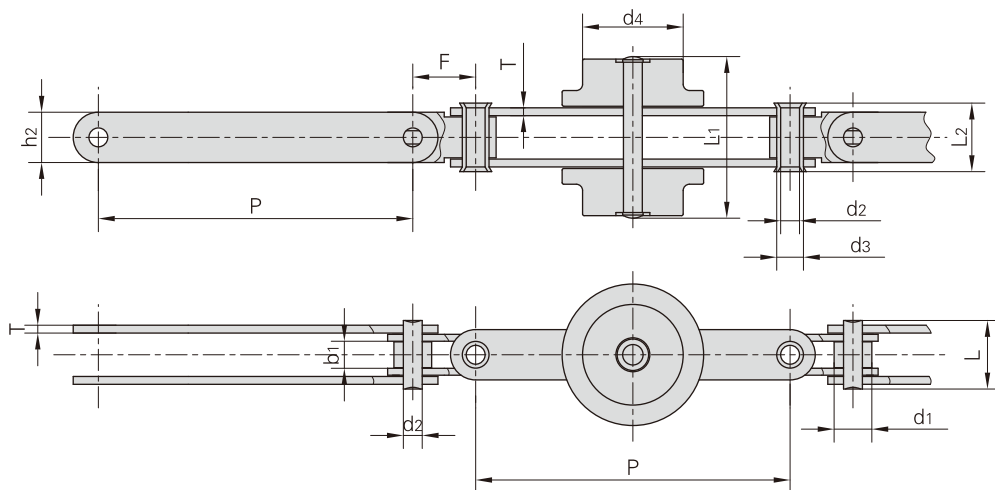


## Kardanketten für Kreisförderer

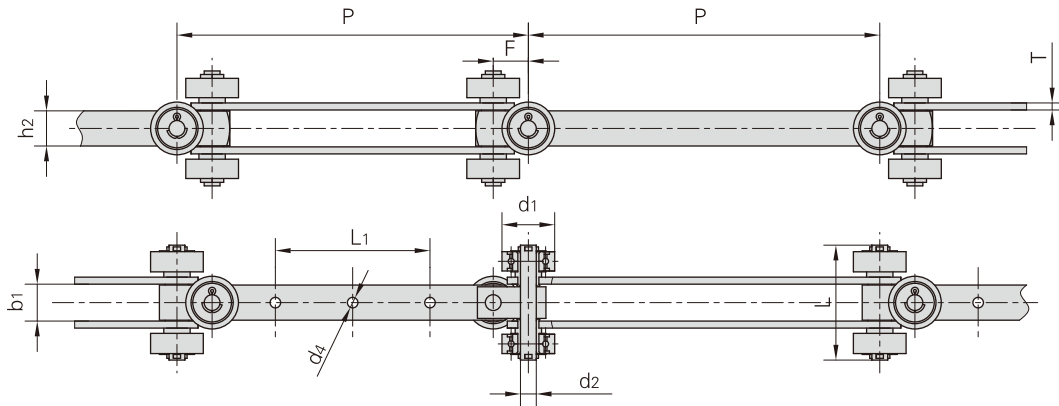


| Donghua Ketten Nr. | Teilung | Rollen-durchmesser | Breite zwischen Außenlaschen | Bolzen-durchmesser | Bolzen-länge | Laschen-dimensionen |       | Winkelabmessungen |     |      | Bruchkraft |
|--------------------|---------|--------------------|------------------------------|--------------------|--------------|---------------------|-------|-------------------|-----|------|------------|
|                    | P       | d1 max             | b1 min                       | d2 max             | L max        | h2 max              | T max | L1                | d4  | F    | Q min      |
|                    | mm      | mm                 | mm                           | mm                 | mm           | mm                  | mm    | mm                | mm  | mm   | kN/lbf     |
| P210               | 204.0   | 35.0               | 27.5                         | 10.0               | 90.0         | 25.0                | 4.0   | 100.0             | 8.5 | 8.0  | 50.0/11364 |
| SJ406S-50          | 203.2   | 35.0               | 27.5                         | 10.0               | 90.0         | 25.0                | 4.0   | 100.0             | 8.5 | 11.0 | 50.0/11364 |

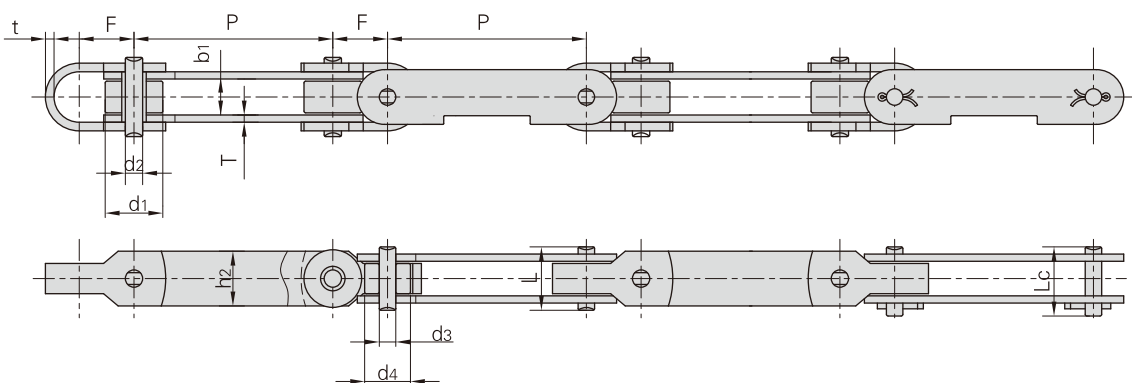


| Donghua Ketten Nr. | Teilung | Rollen-durchmesser |        | Lichte Weite | Bolzen-durchmesser |     | Bolzen-länge |        |        | Laschen-dimensionen |       | Winkel-abmessungen | Bruchkraft |
|--------------------|---------|--------------------|--------|--------------|--------------------|-----|--------------|--------|--------|---------------------|-------|--------------------|------------|
|                    | P       | d1 max             | d4 max | b1 min       | d2                 | d3  | L max        | L1 max | L2 max | h2 max              | T max | F                  | Q min      |
|                    | mm      | mm                 | mm     | mm           | mm                 | mm  | mm           | mm     | mm     | mm                  | mm    | mm                 | kN/lbf     |
| P100F11            | 100.0   | 12.0               | 32.0   | 8.6          | 6.0                | 8.5 | 22.0         | 53.0   | 22.0   | 16.0                | 2.5   | 20.0               | 20.0/4545  |

## Kardanketten für Kreisförderer

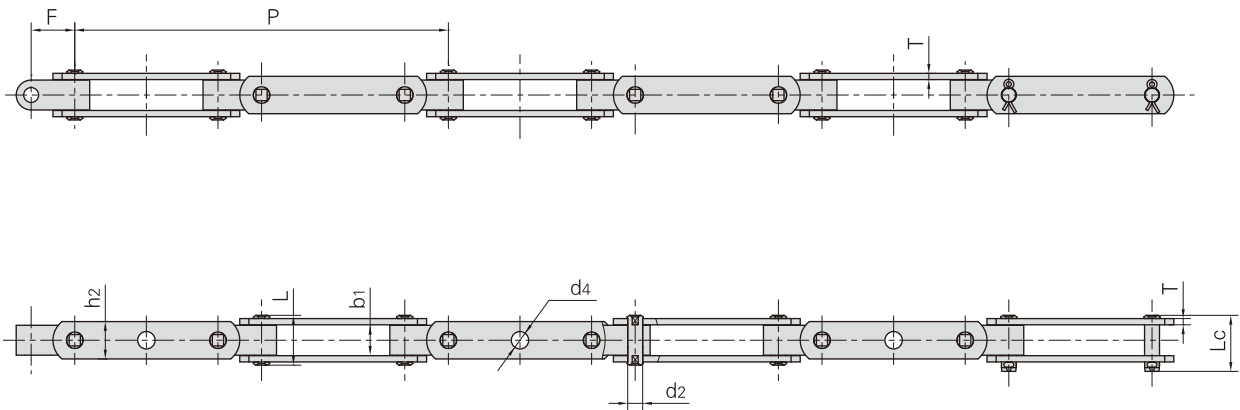


| Donghua Ketten Nr. | Teilung | Rollen-durchmesser | Breite zwischen Außen-laschen | Bolzen-durchmesser | Bolzen-länge | Laschen-dimensionen |       | Winkel-abmessungen |       |      | Bruchkraft  |
|--------------------|---------|--------------------|-------------------------------|--------------------|--------------|---------------------|-------|--------------------|-------|------|-------------|
|                    | P       | d1 max             | b1 min                        | d2 max             | L max        | h2 max              | T max | L1                 | d4    | F    | Q min       |
|                    | mm      | mm                 | mm                            | mm                 | mm           | mm                  | mm    | mm                 | mm    | mm   | kN/lbf      |
| SJ400-40           | 200.0   | 30.0               | 20.0                          | 9.0                | 65.0         | 20.0                | 3.0   | 88.0               | 6.44  | 20.0 | 15.0/3374   |
| SJ400-60           | 200.0   | 35.0               | 21.0                          | 10.0               | 64.5         | 20.0                | 4.0   | 88.0               | 6.50  | 20.0 | 60.0/13497  |
| SJ400-100          | 200.0   | 40.0               | 26.0                          | 14.0               | 75.0         | 30.0                | 4.0   | 88.0               | 10.00 | 25.0 | 100.0/22495 |
| SJ400F1-120        | 200.0   | 45.0               | 32.0                          | 14.0               | 102.0        | 30.0                | 6.0   | 85.0               | 10.50 | 20.0 | 100.0/22495 |
| SJ400F3-120        | 200.0   | 45.0               | 31.0                          | 14.0               | 102.0        | 30.0                | 6.0   | 85.0               | 10.50 | 20.0 | 100.0/22495 |
| SJ405S-60          | 203.2   | 47.0               | 30.0                          | 14.0               | 95.0         | 30.0                | 4.0   | 76.2               | 8.40  | 16.5 | 50.0/11247  |
| SJ405SF1-60        | 203.2   | 47.0               | 36.0                          | 14.0               | 95.0         | 30.0                | 4.0   | 76.2               | 8.40  | 16.5 | 60.0/13497  |



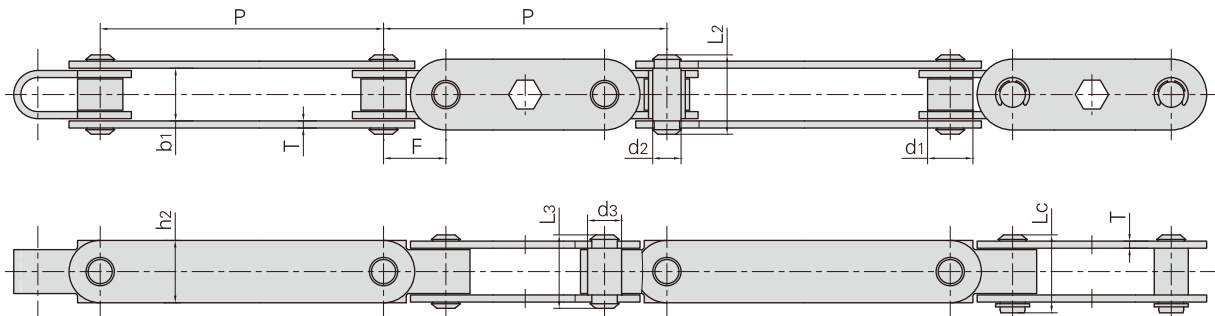
| Donghua Ketten Nr. | Teilung | Rollen-durchmesser |        | Lichte Weite | Bolzen-durchmesser |      | Bolzen-länge |        | Laschen-dimensionen |       | Winkel-abmessungen |     | Bruchkraft |
|--------------------|---------|--------------------|--------|--------------|--------------------|------|--------------|--------|---------------------|-------|--------------------|-----|------------|
|                    | P       | d1 max             | d4 max | b1 min       | d2                 | d3   | L max        | Lc max | h2 max              | T max | F                  | t   | Q min      |
|                    | mm      | mm                 | mm     | mm           | mm                 | mm   | mm           | mm     | mm                  | mm    | mm                 | mm  | kN/lbf     |
| P69F2              | 69.0    | 20.0               | 15.9   | 8.6          | 6.0                | 5.72 | 22.0         | 24.0   | 19.0                | 2.5   | 19.0               | 3.0 | 20.0/4545  |

## Kardanketten für Kreisförderer

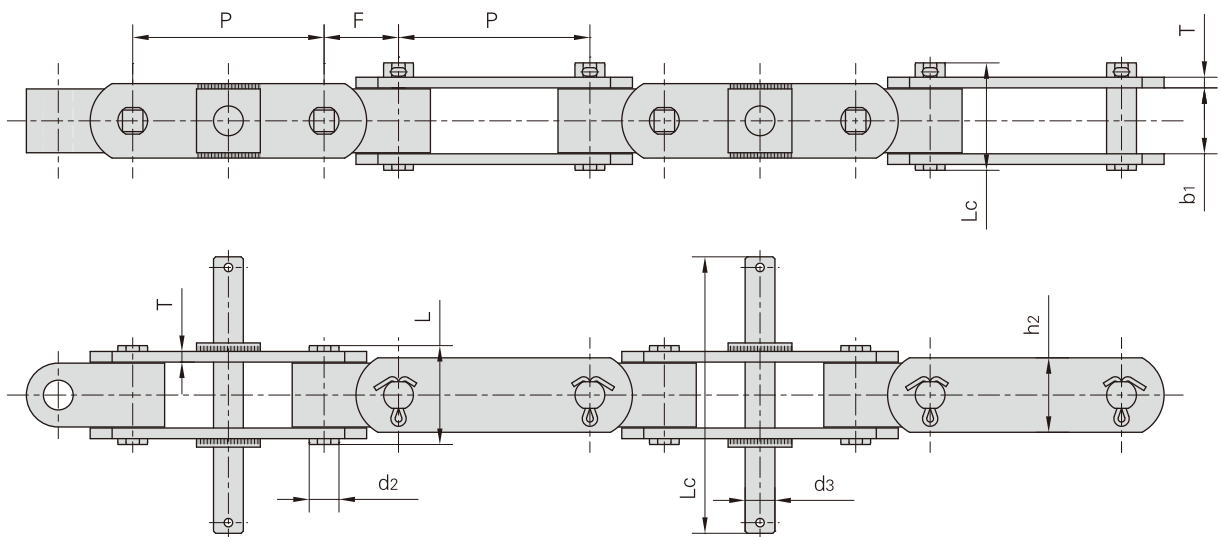


| Donghua Ketten Nr. | Teilung | Breite zwischen Außenlaschen | Bolzen-durchmesser | Bolzen-länge |        | Laschen-höhe | Laschen-dicke | Winkel-abmessungen |      | Bruchkraft  | Durchschnittliche Bruchkraft | Gewicht pro Meter |
|--------------------|---------|------------------------------|--------------------|--------------|--------|--------------|---------------|--------------------|------|-------------|------------------------------|-------------------|
|                    | P       | b1 min                       | d2 max             | L max        | Lc max | h2 max       | T max         | F                  | d4   | Q min       | Q0                           | q                 |
|                    | mm      | mm                           | mm                 | mm           | mm     | mm           | mm            | mm                 | mm   | kN/lbf      | kN                           | kg/m              |
| SJ250F3            | 250.0   | 24.6                         | 12.0               | 40.0         | 45.0   | 30.0         | 5.0           | 35.0               | 14.0 | 90.0/20230  | 94.0                         | 4.41              |
| SJ250F4            | 250.0   | 31.0                         | 16.0               | 48.0         | 53.0   | 35.0         | 6.0           | 35.0               | 18.0 | 150.0/33720 | 160.0                        | 6.90              |
| SJ266.66           | 266.66  | 25.0                         | 12.0               | 40.0         | 45.0   | 30.0         | 5.0           | 35.0               | 14.0 | 100.0/22480 | 105.0                        | 4.28              |
| SJ280              | 280.0   | 31.0                         | 16.0               | –            | 60.7   | 40.0         | 6.0           | 40.0               | 16.0 | 112.0/25177 | 117.6                        | 7.00              |
| SJ300F3            | 300.0   | 24.6                         | 12.0               | 40.0         | 45.0   | 30.0         | 5.0           | 35.0               | 14.0 | 90.0/20230  | 94.0                         | 4.02              |
| SJ300F4            | 300.0   | 31.0                         | 16.0               | 48.0         | 53.0   | 35.0         | 6.0           | 35.0               | 18.0 | 150.0/33720 | 160.0                        | 6.22              |

## Kardanketten für Kreisförderer

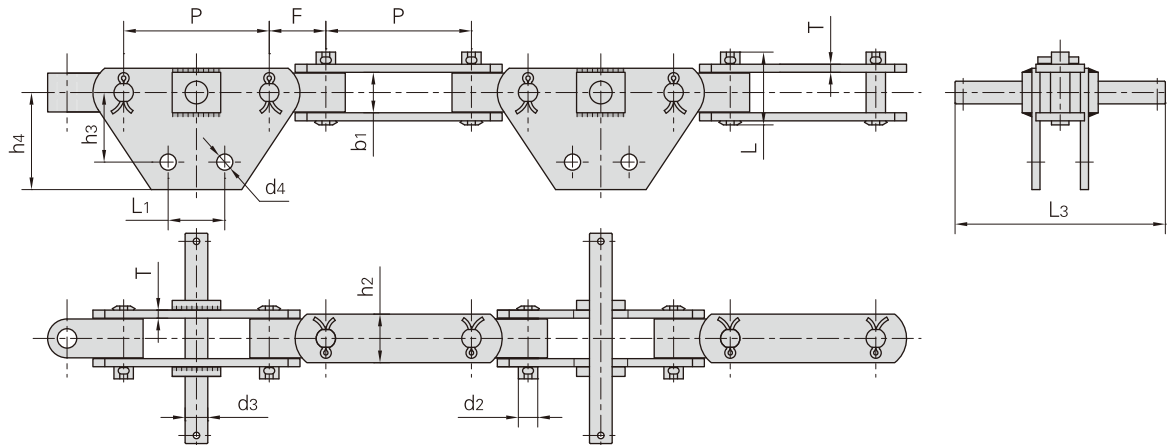


| Donghua Ketten Nr. | Teilung | Rollen-<br>durchmesser | Breite<br>zwischen<br>Außenlaschen | Bolzen-<br>durchmesser |           | Bolzenlänge |           |           | Laschen-<br>dimensionen |           | Winkel-<br>ab-<br>messungen | Bruchkraft |
|--------------------|---------|------------------------|------------------------------------|------------------------|-----------|-------------|-----------|-----------|-------------------------|-----------|-----------------------------|------------|
|                    | P       |                        |                                    | d1<br>max              | b1<br>min | d2<br>max   | d3<br>max | L2<br>max | L3<br>max               | Lc<br>max | h2<br>max                   | T<br>max   |
|                    | mm      | mm                     | mm                                 | mm                     | mm        | mm          | mm        | mm        | mm                      | mm        | mm                          | mm         |
| SJ240F1            | 120.0   | 16.0                   | 18.6                               | 10.0                   | 12.0      | 28.0        | 25.9      | 27.5      | 22.0                    | 2.5       | 22.0                        | 30.0/6744  |

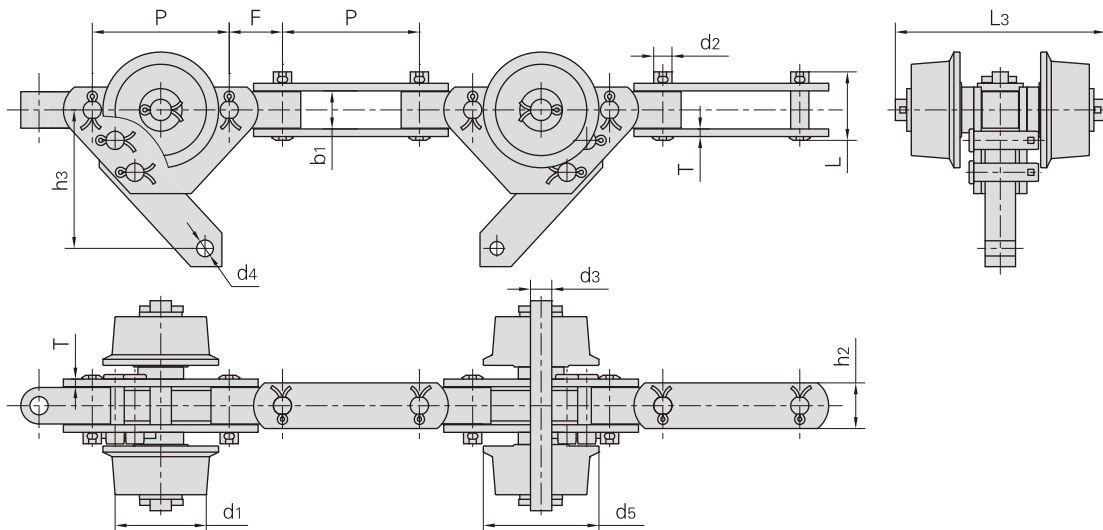


| Donghua Ketten Nr. | Teilung | Breite<br>zwischen<br>Außenlaschen | Bolzen-<br>durchmesser |           | Bolzenlänge |          |           | Laschen-<br>dimensionen |           | Winkel-<br>ab-<br>messungen | Bruchkraft  |
|--------------------|---------|------------------------------------|------------------------|-----------|-------------|----------|-----------|-------------------------|-----------|-----------------------------|-------------|
|                    | P       |                                    | b1<br>min              | d2<br>max | d3<br>max   | L<br>max | Lc<br>max | L1<br>max               | h2<br>max | T<br>max                    | F           |
|                    | mm      | mm                                 | mm                     | mm        | mm          | mm       | mm        | mm                      | mm        | mm                          | mm          |
| SJ250F6            | 90.0    | 31.0                               | 14.0                   | 14.0      | 46.5        | 50.5     | 130.0     | 35.0                    | 5.0       | 35.0                        | 100.0/22480 |
| SJ300F9            | 115.0   | 31.0                               | 16.0                   | 18.0      | 48.0        | 53.0     | 130.0     | 35.0                    | 6.0       | 35.0                        | 125.0/28100 |

## Kardanketten für Kreisförderer

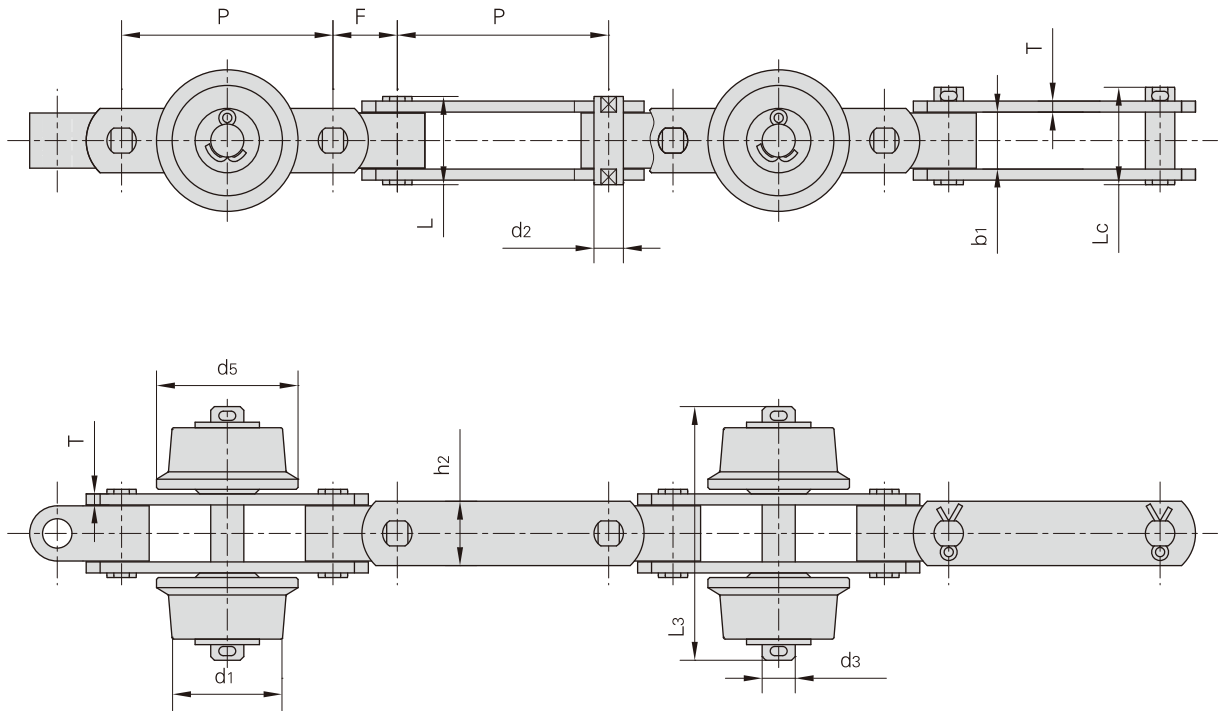


| Donghua Ketten Nr. | Teilung | Breite zwischen Außenlaschen |        | Bolzen-durchmesser |       | Bolzenlänge |        | Laschen-dimensionen |      | Winkelabmessungen |      |      | Bruchkraft |             |
|--------------------|---------|------------------------------|--------|--------------------|-------|-------------|--------|---------------------|------|-------------------|------|------|------------|-------------|
|                    | P       | b1 min                       | d2 max | d3 max             | L max | L3 max      | h2 max | T max               | h3   | h4                | L1   | d4   | F          | Q min       |
|                    | mm      | mm                           | mm     | mm                 | mm    | mm          | mm     | mm                  | mm   | mm                | mm   | mm   | mm         | kN/lbf      |
| SJ250F9            | 90.0    | 25.0                         | 12.0   | 14.0               | 45.0  | 130.0       | 30.0   | 5.0                 | 55.0 | 72.0              | 35.0 | 10.0 | 35.0       | 90.0/20232  |
| SJ300F2            | 110.0   | 30.4                         | 16.0   | 16.0               | 58.0  | 132.0       | 40.0   | 6.0                 | 55.0 | 70.0              | 32.0 | 12.0 | 40.0       | 230.0/51704 |
| SJ300F13           | 115.0   | 31.0                         | 16.0   | 18.0               | 53.0  | 155.0       | 35.0   | 6.0                 | 33.0 | 52.5              | 30.0 | 13.0 | 35.0       | 150.0/33720 |



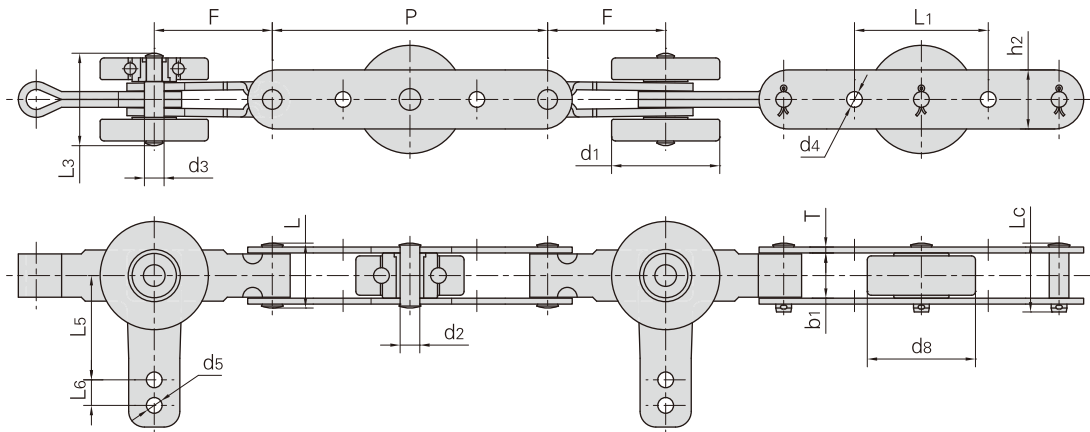
| Donghua Ketten Nr. | Teilung | Rollen-durchmesser |        | Breite zwischen Außenlaschen | Bolzen-durchmesser |        | Bolzenlänge |        | Laschen-dimensionen |       | Winkel-abmessungen |      |      | Bruchkraft |
|--------------------|---------|--------------------|--------|------------------------------|--------------------|--------|-------------|--------|---------------------|-------|--------------------|------|------|------------|
|                    | P       | d1 max             | d5 max | b1 min                       | d2 max             | d3 max | L max       | L3 max | h2 max              | T max | h3                 | d4   | F    | Q min      |
|                    | mm      | mm                 | mm     | mm                           | mm                 | mm     | mm          | mm     | mm                  | mm    | mm                 | mm   | mm   | kN/lbf     |
| SJ250F11           | 90.0    | 60.0               | 76.0   | 25.0                         | 12.0               | 14.0   | 45.0        | 138.0  | 30.0                | 5.0   | 35.0               | 10.0 | 35.0 | 90.0/20232 |

## Kardanketten für Kreisförderer

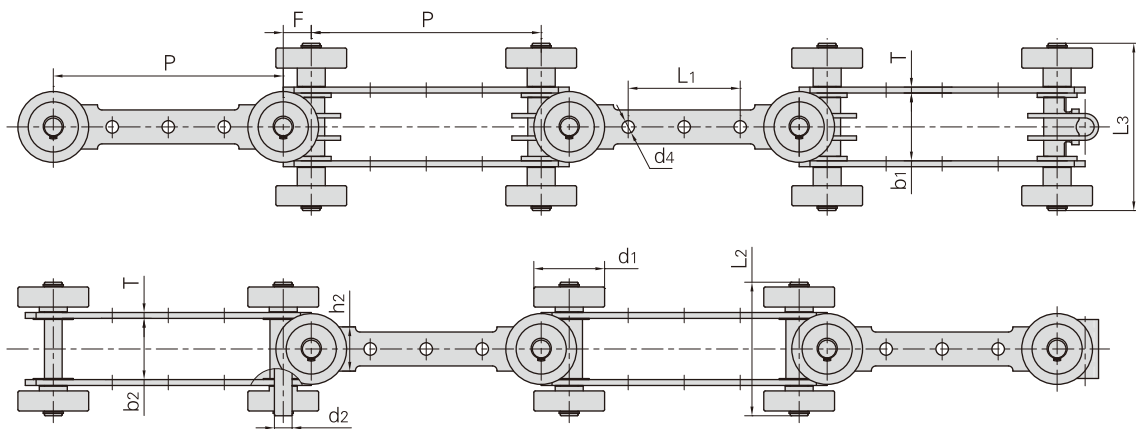


| Donghua Ketten Nr. | Teilung | Rollen-durchmesser |        | Breite zwischen Außenlaschen | Bolzen-durchmesser |        |       | Bolzenlänge |        |        | Laschen-dimensionen |      | Winkel-abmessungen | Bruchkraft |
|--------------------|---------|--------------------|--------|------------------------------|--------------------|--------|-------|-------------|--------|--------|---------------------|------|--------------------|------------|
|                    | P       | d1 max             | d5 max | b1 min                       | d2 max             | d3 max | L max | Lc max      | L3 max | h2 max | T max               | F    | Q min              |            |
|                    | mm      | mm                 | mm     | mm                           | mm                 | mm     | mm    | mm          | mm     | mm     | mm                  | mm   | kN/lbf             |            |
| SJ250F7            | 90.0    | 60.0               | 77.0   | 25.0                         | 12.0               | 14.0   | -     | 45.0        | 135.0  | 30.0   | 5.0                 | 35.0 | 50.0/11240         |            |
| SJ300F8            | 115.0   | 60.0               | 77.0   | 31.0                         | 16.0               | 18.0   | 48.0  | 53.0        | 138.0  | 35.0   | 6.0                 | 35.0 | 150.0/33720        |            |

## Kardanketten für Kreisförderer

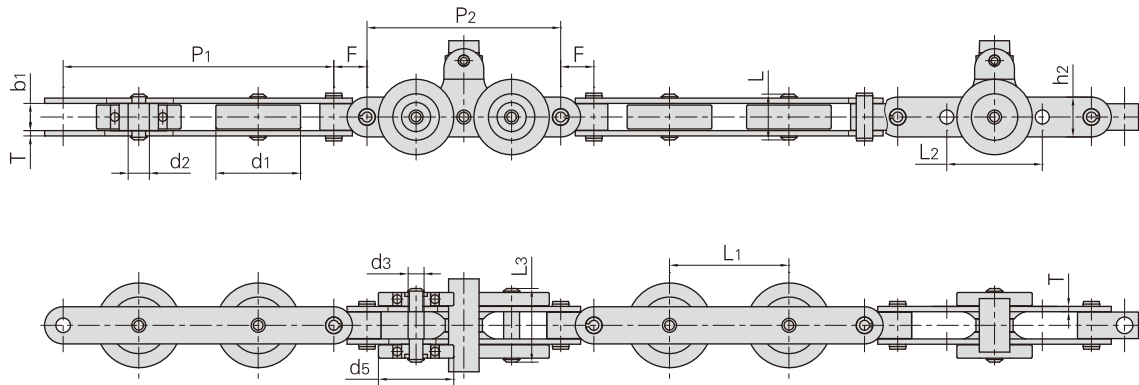


| Donghua Ketten Nr. | Teilung | Rollen-durchmesser |        | Breite zwischen Außen-laschen |        | Bolzen-durchmesser |       |        | Bolzenlänge |        |       | Laschen-dimensionen |      |      | Winkelabmessungen |     |       | Bruchkraft |
|--------------------|---------|--------------------|--------|-------------------------------|--------|--------------------|-------|--------|-------------|--------|-------|---------------------|------|------|-------------------|-----|-------|------------|
|                    | P       | d1 max             | d8 max | b1 min                        | d2 max | d3 max             | L max | Lc max | L3 max      | h2 max | T max | L1                  | L5   | L6   | d4                | d5  | F     | Q min      |
|                    | mm      | mm                 | mm     | mm                            | mm     | mm                 | mm    | mm     | mm          | mm     | mm    | mm                  | mm   | mm   | mm                | mm  | mm    | kN/lbf     |
| SJ184F1            | 111.3   | 55.0               | 46.0   | 23.0                          | 10.0   | 10.0               | 38.0  | -      | 45.5        | 25.6   | 4.0   | 68.8                | 53.7 | 12.2 | 7.9               | 7.7 | 36.35 | 20.0/4496  |
| SJ200F5            | 130.0   | 55.0               | 48.0   | 23.0                          | 10.0   | 10.0               | 36.0  | 37.0   | 45.0        | 25.0   | 4.0   | 70.0                | 53.0 | 13.0 | 8.0               | 8.0 | 35.00 | 35.0/7868  |
| SJ300F14           | 180.0   | 55.0               | 55.0   | 23.0                          | 10.0   | 10.0               | 33.0  | 35.0   | 43.0        | 30.0   | 3.0   | 68.0                | 53.0 | 13.0 | 8.0               | 8.0 | 60.00 | 20.0/4496  |

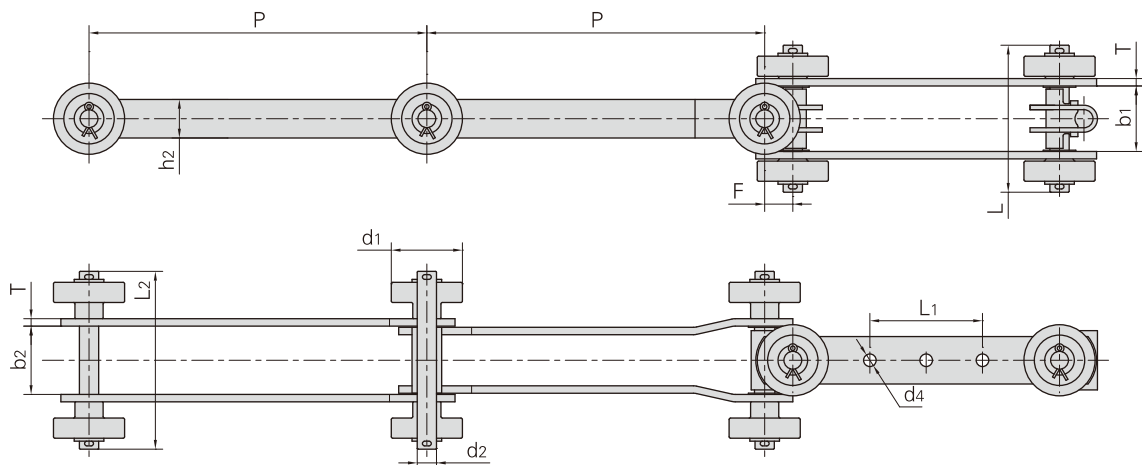


| Donghua Ketten Nr. | Teilung | Rollen-durchmesser | Breite zwischen Außen-laschen |        | Bolzen-durchmesser | Bolzenlänge |        | Laschen-dimensionen |       | Winkelabmessungen |     |      | Bruchkraft |
|--------------------|---------|--------------------|-------------------------------|--------|--------------------|-------------|--------|---------------------|-------|-------------------|-----|------|------------|
|                    | P       | d1 max             | b1 min                        | b2 min | d2 max             | L2 max      | L3 max | h2 max              | T max | L1                | d4  | F    | Q min      |
|                    | mm      | mm                 | mm                            | mm     | mm                 | mm          | mm     | mm                  | mm    | mm                | mm  | mm   | kN/lbf     |
| SJ350              | 156.0   | 48.0               | 46.0                          | 43.0   | 12.0               | 91.0        | 112.5  | 30.0                | 4.0   | 76.0              | 8.5 | 19.0 | 40.0/8992  |

## Kardanketten für Kreisförderer



| Donghua Ketten Nr. | Teilung        |                | Rollen-durchmesser |                    | Breite zwischen Außenlaschen |                    | Bolzen-durchmesser |       | Bolzenlänge        |                    | Laschen-dimensionen |                | Winkel-abmessungen |      |            | Bruchkraft |
|--------------------|----------------|----------------|--------------------|--------------------|------------------------------|--------------------|--------------------|-------|--------------------|--------------------|---------------------|----------------|--------------------|------|------------|------------|
|                    | P <sub>1</sub> | P <sub>2</sub> | d <sub>1</sub> max | d <sub>5</sub> max | b <sub>1</sub> min           | d <sub>2</sub> max | d <sub>3</sub> max | L max | L <sub>3</sub> max | h <sub>2</sub> max | T max               | L <sub>1</sub> | L <sub>2</sub>     | F    | Q min      |            |
|                    | mm             | mm             | mm                 | mm                 | mm                           | mm                 | mm                 | mm    | mm                 | mm                 | mm                  | mm             | mm                 | mm   | kN/lbf     |            |
| SJ500F4            | 204.0          | 146.0          | 63.8               | 56.8               | 20.5                         | 16.0               | 12.0               | 34.5  | 50.5               | 30.0               | 4.0                 | 90.0           | 72.0               | 25.0 | 50.0/11240 |            |
| SJ500F2            | 304.0          | 146.0          | 63.8               | 56.8               | 20.5                         | 16.0               | 12.0               | 34.5  | 50.5               | 30.0               | 4.0                 | 210.0          | 72.0               | 25.0 | 50.0/11240 |            |



| Donghua Ketten Nr. | Teilung | Rollen-durchmesser |                    | Breite zwischen Außenlaschen |                    | Bolzen-durchmesser |                    | Bolzenlänge        |       | Laschen-dimensionen |                | Winkel-abmessungen |           |  | Bruchkraft |
|--------------------|---------|--------------------|--------------------|------------------------------|--------------------|--------------------|--------------------|--------------------|-------|---------------------|----------------|--------------------|-----------|--|------------|
|                    | P       | d <sub>1</sub> max | b <sub>1</sub> min | b <sub>2</sub> min           | d <sub>2</sub> max | L <sub>2</sub> max | L <sub>3</sub> max | h <sub>2</sub> max | T max | L <sub>1</sub>      | d <sub>4</sub> | F                  | Q min     |  |            |
|                    | mm      | mm                 | mm                 | mm                           | mm                 | mm                 | mm                 | mm                 | mm    | mm                  | mm             | mm                 | kN/lbf    |  |            |
| SJ685.8F1          | 228.6   | 48.0               | 43.0               | 46.0                         | 12.7               | 96.0               | 120.0              | 26.0               | 5.0   | 76.0                | 8.5            | 16.5               | 40.0/8992 |  |            |