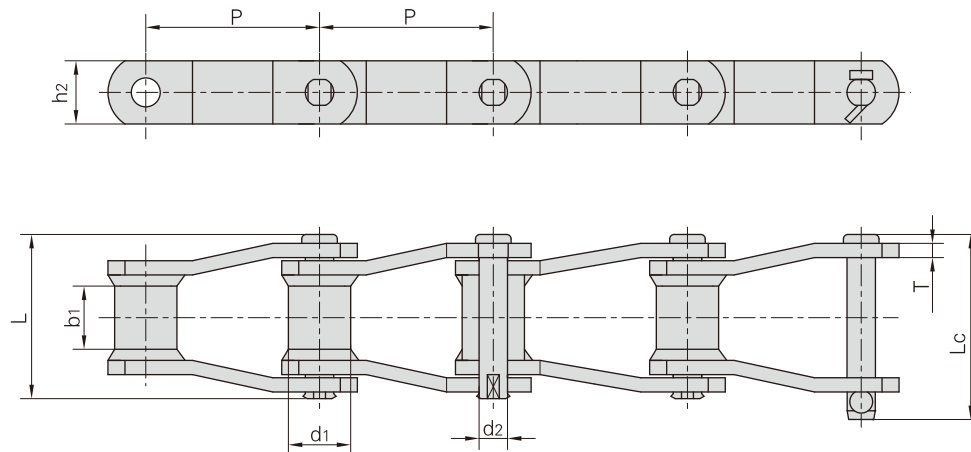


Geschweißte Rotaryketten



Donghua Ketten Nr.	Teilung	Buchsen- durchmesser	Lichte Weite	Bolzen- durchmesser	Bolzenlänge		Laschen- höhe	Laschen- dicke	Bruchkraft	Durch- schnittliche Bruchkraft	Gewicht pro Meter
	P mm	d1 max mm	b1 min mm	d2 max mm	L max mm	Lc max mm	h2 max mm	T mm	Q min kN/lbf	Q0 kN	q kg/m
WR78	66.27	22.90	28.40	12.78	73.00	79.3	28.4	6.4	93.4/21227	102.70	6.20
WH78									106.8/24273	117.50	
WR82	78.10	31.50	31.80	14.35	80.00	86.0	31.8	6.4	100.1/22750	110.10	7.98
WH82									131.2/29818	144.30	
WR106	152.40	37.10	41.20	19.13	103.00	111.0	38.1	9.7	169.0/38409	185.90	10.56
WH106									224.6/51045	247.00	
WR110	152.40	32.00	46.70	19.13	107.70	115.5	38.1	9.7	169.0/38409	185.90	10.40
WH110									224.6/51045	247.00	
WR111	120.90	37.10	57.20	19.13	116.80	124.5	38.1	9.7	169.0/38409	185.90	12.72
WH111									224.6/51045	247.00	
WR124	101.60	37.10	41.20	19.13	103.00	110.0	38.1	9.7	169.0/38409	185.90	12.38
WH124									224.6/51045	247.00	
WR124H	103.20	41.70	41.20	22.30	131.60	133.0	50.8	12.7	275.8/62682	303.30	19.68
WH124H									355.9/80886	391.40	
WR132	153.67	44.70	76.20	25.48	151.00	162.2	50.8	12.7	275.8/62682	303.30	20.00
WH132									378.1/85932	415.90	
WR150	153.67	44.45	73.00	25.40	151.00	162.2	63.5	12.7	530.0/119144	583.00	20.50
WH150											
WR155	153.67	44.45	73.00	28.57	164.00	176.0	63.5	12.7	820.0/186361	902.00	20.70
WH155											
WR157	153.67	44.45	76.20	28.57	164.00	176.0	63.5	15.9	820.0/186361	902.00	20.80
WH157											
WR78F5	66.27	21.30	20.00	12.70	62.99	66.1	25.4	6.4	66.7/14994	73.37	5.00
WH78F4	66.27	22.90	22.23	12.78	66.40	72.3	28.4	6.4	106.8/24009	117.48	5.94
WH124F1	101.60	31.75	38.10	19.05	101.50	109.5	38.1	9.5	253.0/56876	278.00	11.40
WH111F1	120.90	36.50	57.20	19.05	120.60	120.6	38.1	9.5	272.0/61148	299.20	12.63

Hinweis: WR-geschweißt Stahlkette-nur Bolzen & Buchsen wärmebehandelt
 WH-geschweißt Stahlkette-Alle Teile wärmebehandelt