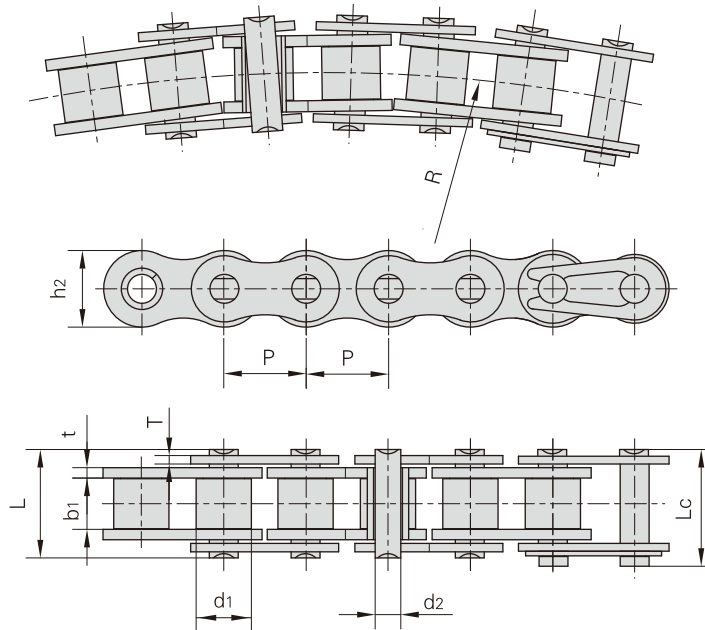


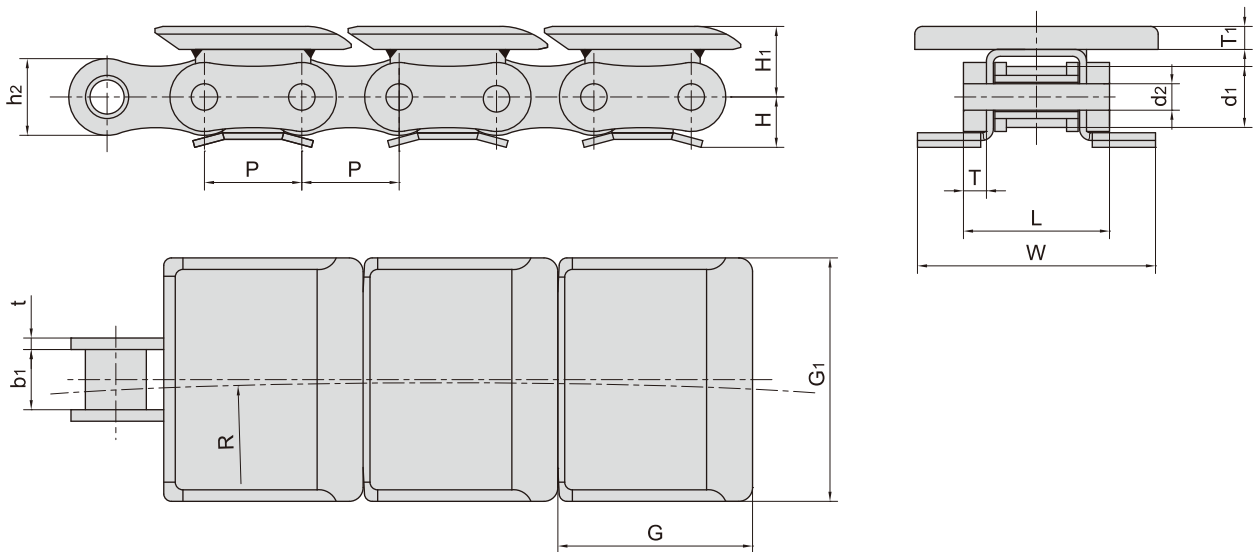
## Seitenbogenketten



Donghua Ketten Nr.	Teilung	Rollen-durchmesser	Lichte Weite	Bolzen-durchmesser	Bolzenlänge		Innen-laschen-höhe	Laschen-dicke	Seiten-bogen-radius	Bruchkraft	Durch-schnittliche Bruchkraft	Gewicht pro Meter
	P	d1 max	b1 min	d2 max	L max	Lc max	h2 max	t/T max	R	Q min	Q0	q
	mm	mm	mm	mm	mm	mm	mm	mm	mm	kN/lbf	kN	kg/m
40SB	12.700	7.95	7.85	3.96	16.9	18.1	11.7	1.50	350	13.8/3136	15.20	0.80
43SB	12.700	7.95	7.85	3.45	18.3	19.5	11.7	1.50	305	12.0/2727	13.20	0.64
50SB	15.875	10.16	9.40	4.37	20.7	22.7	14.9	2.03	400	20.6/4681	22.70	1.09
60SB	19.050	11.91	12.57	5.34	26.6	28.4	18.0	2.42	500	15.7/3568	17.30	1.54
63SB	19.050	11.91	12.68	5.08	28.8	30.6	17.2	2.42/2.03	350	12.5/2840	20.00	1.40
80SB	25.400	15.88	15.75	7.19	34.0	37.3	24.0	3.25	711	40.9/9201	42.00	2.60
#06BSBF1	9.525	6.35	5.72	3.05	13.5	15.0	8.2	1.30	300	8.0/1818	8.80	0.60
08BSB	12.700	8.51	7.75	3.97	17.4	18.7	11.8	1.60	400	14.0/3182	15.40	0.70
08BSBF1	12.700	8.51	7.75	3.97	16.3	17.6	11.8	1.6/1.2	400	12.8/2909	14.10	0.65
10BSB	15.875	10.16	9.65	4.50	20.1	21.5	14.7	1.70	400	15.6/3545	17.20	0.93
12BSB	19.050	12.07	11.68	5.12	23.1	24.8	16.0	1.85	500	20.5/4658	22.60	1.16
16BSB	25.400	15.88	17.22	7.90	36.5	39.7	21.0	3.7/3.0	500	55.6/12635	64.00	2.53
16BSBF3	25.400	15.88	17.02	7.85	36.2	38.9	21.0	3.8/3.0	1260	55.6/12635	64.00	2.73
#C24BSB	38.100	25.40	25.50	14.00	54.3	58.5	33.2	6.0/4.8	2000	160.0/35968	176.00	7.46
#C2050SB	31.750	10.16	9.40	5.08	21.3	22.6	15.0	2.03	800	21.8/4954	24.00	0.84
#C2060SBF1	38.100	11.91	12.57	5.08	26.8	28.8	18.0	2.42	800	21.8/4954	24.00	1.17
#C2062F6SB	38.100	22.23	12.57	5.34	26.6	29.0	23.0	2.42	1100	15.7/3568	17.30	2.27

#Gerade Laschen

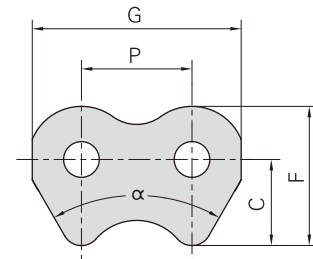
## Seitenbogenketten mit Anbauteile



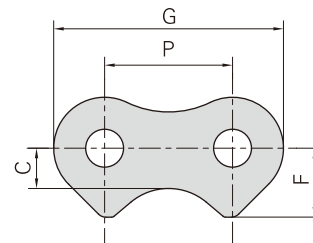
Donghua Ketten Nr.	Teilung	Rollen-durchmesser	Lichte Weite	Bolzen-durchmesser	Bolzen-länge	Innen-laschen-höhe	Winkelabmessungen						Seiten-bogen-radius	
	P	d1	b1	d2	L	h2	H	H1	t/T	T1	G	G1	W	R
	mm	mm	mm	mm	mm	mm	mm	mm	mm	mm	mm	mm	mm	mm
43SBF11	12.7	7.95	7.85	3.45	19.6	9.8	6.9	9.2	1.5/2.8	3	25.7	31.75	31.6	254
43SBF12	12.7	7.95	7.85	3.45	19.6	9.8	6.9	9.2	1.5/2.8	3	25.7	36.00	31.6	254
43SBF13	12.7	7.95	7.85	3.45	19.6	9.8	6.9	9.2	1.5/2.8	3	25.7	64.00	31.6	254

## Anbauteile für Seitenbogenketten

Donghua Ketten Nr.	P mm	G mm	C mm	F mm	$\alpha$
08BSBF5	12.7	24.0	9.9	16.0	60°

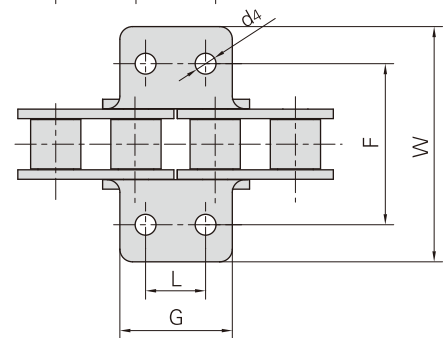
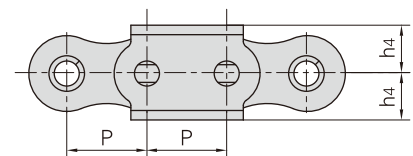


Donghua Ketten Nr.	P mm	G mm	C mm	F mm
43SBF14	12.700	23.10	9.50	11.40
40SBF4	12.700	24.40	3.30	8.26
50SBF2	15.875	28.00	5.00	8.56
10BSBF3-2STC	15.875	29.58	4.75	12.00

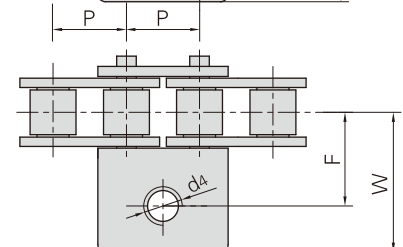
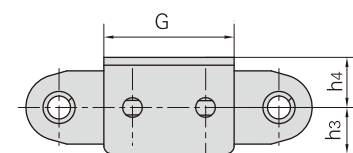


Donghua Ketten Nr.	P mm	G mm	L mm	F mm	W mm	h <sub>4</sub> mm	d <sub>4</sub> mm
40SBF1	12.7	17.8	9.5	30.2	45.5	7.5	3.3
*08BSBF7KK2	12.7	22.4	12.7	27.4	42.0	8.9	4.5

\*プレート (小判形)

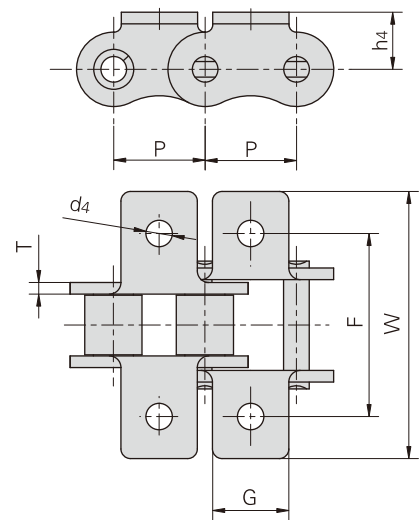


Donghua Ketten Nr.	P mm	G mm	F mm	W mm	h <sub>3</sub> mm	h <sub>4</sub> mm	d <sub>4</sub> mm
63SBF2	19.05	33.9	24.4	36.4	12.0	13.0	M8

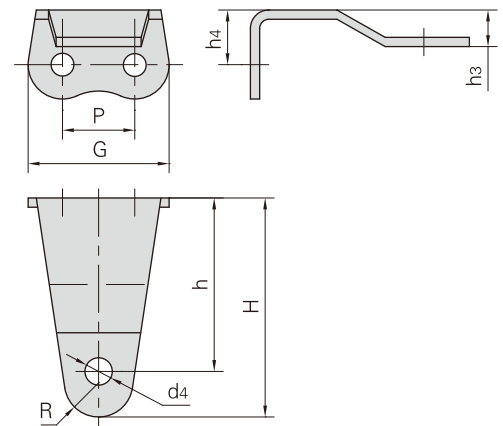


## Anbauteile für Seitenbogenketten

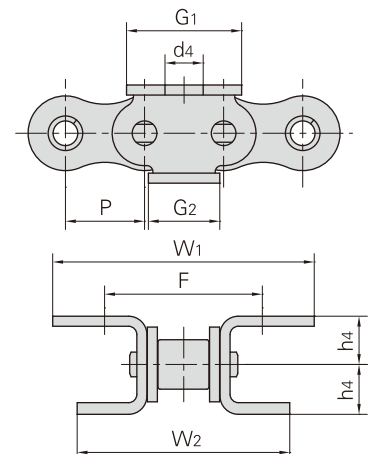
Donghua Ketten Nr.	P	G	F	W	T	h <sub>4</sub>	d <sub>4</sub>
	mm	mm	mm	mm	mm	mm	mm
08BSBA1F1	12.700	11.50	27.00	38.0	1.60	8.65	5.3
08BSBK1	12.700	18.10	25.40	39.6	1.60	8.00	6.0
40SBA1F3	12.700	9.50	38.00	50.0	1.50	8.00	4.2
40SBA1F4	12.700	18.10	27.40	39.4	1.50	8.00	4.2
40SBF6	12.700	18.00	26.40	42.4	1.50	9.00	4.2
40SBK1	12.700	9.50	25.40	35.2	1.50	7.90	3.4
43SBA1F1	12.700	9.50	25.40	35.2	1.50	7.90	3.4
10BA1F3SB	15.875	13.00	32.40	51.2	1.70	10.50	6.0
10BA1F5SB	15.875	14.29	31.80	46.2	1.70	10.30	6.0
50SBA1	15.875	12.70	31.75	46.2	2.03	10.30	5.5
60SBK1	19.050	15.90	38.10	56.3	2.42	11.90	5.5
C2050SBK0F1	31.750	12.70	–	43.6	2.03	7.40	–
C2050SBK0F2	31.750	15.00	–	35.0	2.03	7.40	–
C2050SBK1	31.750	23.80	31.80	44.6	2.03	11.10	5.5



Donghua Ketten Nr.	P	G	h	H	h <sub>3</sub>	h <sub>4</sub>	d <sub>4</sub>	R
	mm	mm	mm	mm	mm	mm	mm	mm
06BSBF1	9.525	17.73	25.4	30.20	5.2	7.7	3.0	4.80
50SBF1	15.875	30.97	38.1	48.10	8.0	12.0	6.7	7.50
50SBF4	15.875	30.88	45.2	53.67	7.0	12.5	6.5	8.47
50SBF9	15.875	29.00	39.1	48.10	9.5	12.5	5.2	9.00

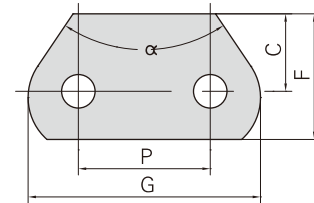


Donghua Ketten Nr.	P	G <sub>1</sub>	G <sub>2</sub>	F	W <sub>1</sub>	W <sub>2</sub>	h <sub>4</sub>	d <sub>4</sub>
	mm	mm	mm	mm	mm	mm	mm	mm
60SBF3	19.05	27.7	17.2	38	63	51.8	11.62	9.2

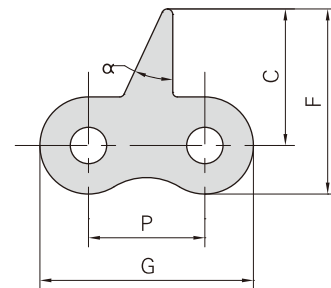


## Anbauteile für Seitenbogenketten

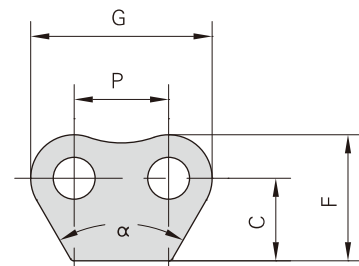
Donghua Ketten Nr.	P mm	G mm	C mm	F mm	$\alpha$
P63SBF1	63.0	111	37	60	68°



Donghua Ketten Nr.	P mm	G mm	C mm	F mm	$\alpha$
08BSB-1STCF1-2	12.7	23.3	14.9	20.2	25°



Donghua Ketten Nr.	P mm	G mm	C mm	F mm	$\alpha$
40SBA1F5	12.7	24.4	11.1	16.95	60°



Donghua Ketten Nr.	P mm	G mm	C mm	F mm	d4
43SBSA1	12.700	9.5	12.7	19.05	3.4
10BSBF1	15.875	24.0	16.0	24.20	5.8
63SBF7SA1	19.050	15.9	18.3	27.00	5.5

