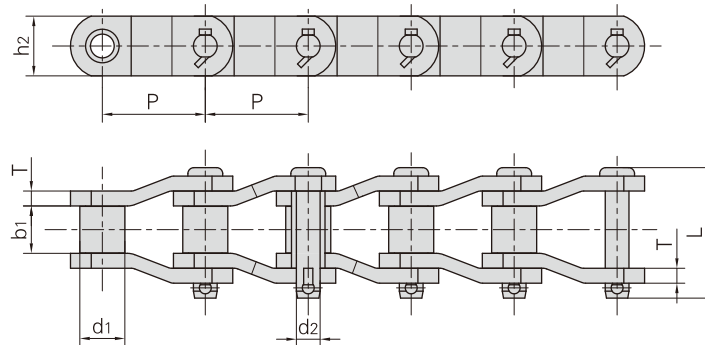


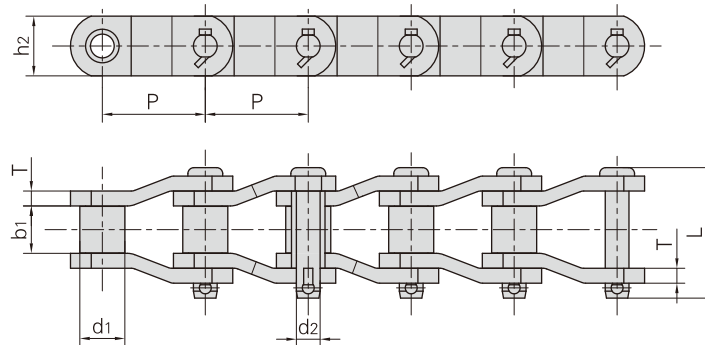
Rotaryketten, schwere Ausführung



Donghua Ketten Nr.	Teilung	Rollen-durchmesser	Lichte Weite	Bolzen-durchmesser	Bolzen-länge	Laschen-höhe	Laschen-dicke	Bruchkraft	Durchschnittliche Bruchkraft	Gewicht pro Meter
	P	d1 max	b1 min	d2 max	L max	h2	T	Q min	Q0	q
	mm	mm	mm	mm	mm	mm	mm	kN/lbf	kN	kg/m
MXS432	42.01	22.23	25.40	11.10	57.9	28.50	4.8	80.80/18363	88.0	5.65
1409F1	44.45	25.40	25.40	13.97	65.9	43.20	6.3	217.00/48782	238.7	9.65
R3112	50.80	28.70	31.00	14.20	73.9	41.40	6.4	168.90/38385	185.0	10.70
R3112F1	50.80	28.70	31.00	15.06	79.5	41.40	7.9	195.60/18363	225.0	12.23
SS2065	50.80	28.58	32.50	15.05	79.5	38.00	7.9	220.00/49998	242.0	12.14
2010	63.50	31.75	38.10	15.90	89.0	47.80	7.9	250.00/56818	275.0	13.53
2010H	63.50	31.75	31.75	15.88	97.0	41.50	9.5	250.00/56818	275.0	11.91
2010SH	63.50	31.75	38.10	15.88	97.0	41.50	9.5	300.00/68181	330.0	12.00
*SS588F4	66.27	22.23	30.40	11.11	60.0	32.00	4.8	90.00/20454	103.0	5.05
MXS882	66.27	22.23	28.58	11.10	68.5	28.50	6.4	115.60/26272	124.8	5.30
SS588	66.27	22.23	28.60	11.11	63.7	28.60	6.4	130.00/29545	144.0	5.46
SS588F1	66.27	22.23	27.00	11.11	62.0	28.60	6.4	88.90/20205	97.8	5.39
SS588F2	66.27	22.23	27.00	9.53	59.0	25.40	5.6	84.46/19195	91.2	4.26
*MXS882F2	66.27	22.23	28.58	11.10	66.6	28.50	6.4	115.60/25987	124.8	5.39
MXS882F1	66.27	22.10	28.58	11.10	68.5	28.50	6.4	110.00/24728	121.0	5.39
SS588F7	66.27	22.35	26.90	11.20	60.0	28.70	4.8	80.00/17984	88.0	4.52
*MX603	76.20	22.50	38.00	14.00	88.0	40.00	8.0	147.00/33408	161.0	9.20
*MXS3011F1	77.90	31.75	39.60	19.05	100.0	57.00	9.7	407.50/18363	468.0	17.68
2512(MXS3011)	77.90	41.28	39.60	19.05	100.0	57.00	9.7	340.00/77272	489.3	18.40
2512F2	77.90	41.28	38.50	19.05	103.4	60.00	10.0	400.00/90909	420.0	20.28
2512F3	77.90	41.28	40.00	18.60	104.2	46.70	11.0	340.00/77271	391.0	18.15
2512F4	77.90	41.28	39.60	19.05	110.0	60.00	12.0	407.50/92612	468.0	23.60
SS568H	77.90	41.30	39.70	19.05	97.6	57.00	9.5	460.00/103408	515.0	19.80
SS568HF2	77.90	31.75	39.70	19.05	98.5	57.00	9.5	447.00/101588	491.0	16.90
SS568HF3	77.90	41.30	39.70	19.05	104.1	57.00	11.0	489.30/111203	562.0	20.85
SS568HF4	77.90	41.30	39.70	19.05	100.0	57.00	10.0	490.00/110152	539.0	19.80
2510	78.10	31.75	36.90	16.00	94.8	40.00	8.0	271.00/61590	292.6	10.72
2510F1	78.10	31.75	36.60	16.00	88.9	38.10	8.0	124.50/28295	137.0	9.93
2510F2	78.10	31.75	36.60	15.75	88.0	38.10	8.0	225.00/51135	248.0	11.70
2510H	78.10	31.75	36.90	16.50	95.3	45.00	9.5	280.40/63727	302.8	12.70

*Buchsenketten: d1 bezeichnet in der Tabelle den Außendurchmesser der Buchse

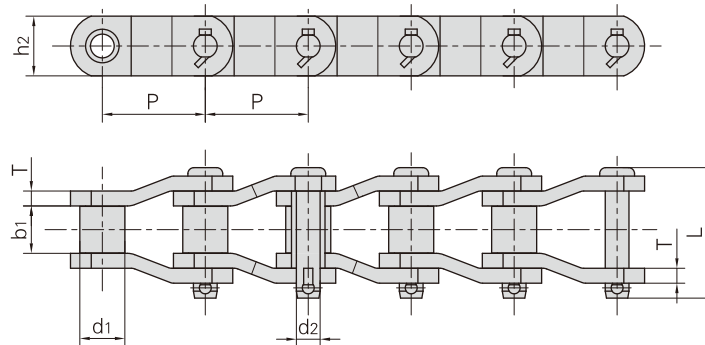
Rotaryketten, schwere Ausführung



Donghua Ketten Nr.	Teilung	Rollen-durchmesser	Lichte Weite	Bolzen-durchmesser	Bolzen-länge	Laschen-höhe	Laschen-dicke	Bruchkraft	Durchschnittliche Bruchkraft	Gewicht pro Meter
	P	d1 max	b1 min	d2 max	L max	h2	T	Q min	Q0	q
	mm	mm	mm	mm	mm	mm	mm	kN/lbf	kN	kg/m
MXS3075	78.100	31.75	38.10	16.46	93.50	44.50	9.70	334.0/75907	365.8	13.45
MXS3075F1	78.100	33.00	38.10	16.46	94.50	44.50	9.70	334.0/75907	365.8	14.00
MXS3075F1SH	78.100	33.00	38.10	16.46	94.50	44.50	9.70	360.0/81817	414.0	13.96
MXS3075F2	78.100	31.75	38.10	17.81	90.00	45.00	8.00	333.2/75726	365.8	12.20
MXS3075F3	78.100	33.30	38.10	16.46	94.50	44.50	9.70	334.0/75908	384.0	14.00
MXS3075F4	78.100	33.30	38.10	17.15	94.50	44.50	9.70	360.0/81817	414.0	14.00
2510F3	78.100	31.75	38.10	16.00	87.10	38.10	7.90	194.0/43611	213.5	10.42
2510F5	78.100	31.75	38.10	15.88	86.00	38.10	7.90	194.0/43611	213.5	10.37
SS40HF2	78.100	31.75	38.10	16.00	87.50	38.10	8.00	236.0/53053	259.6	10.00
SS40H(P)	78.110	31.75	38.10	15.88	97.00	41.50	9.50	250.0/56818	280.0	12.60
DHAPI3PF1	78.110	31.75	38.10	16.51	94.50	39.70	9.52	250.0/56200	275.0	12.53
MXS3075F6	78.110	31.75	38.10	16.46	92.50	44.50	9.70	250.0/56200	275.0	13.60
P78.18F1	78.180	33.00	40.00	17.81	102.00	45.00	10.00	333.2/74903	365.8	14.87
3125	79.370	41.27	39.70	20.32	101.60	57.20	9.50	347.1/78885	400.0	20.10
3125F2	79.370	41.27	41.30	20.32	105.00	57.20	9.50	481.2/109362	529.0	20.44
3125HF1	79.370	43.00	41.00	22.23	108.00	57.20	11.00	400.0/90908	500.0	23.25
2814	88.900	44.45	36.60	22.23	117.60	58.00	12.70	471.0/105955	622.7	25.70
2814F1	88.900	44.45	36.90	22.23	117.60	60.00	13.50	556.0/126358	611.0	24.20
2814F2	88.900	44.45	38.60	22.23	119.60	58.00	12.70	559.0/127040	614.9	25.40
2814F3	88.900	44.45	38.60	24.00	120.00	58.00	14.00	559.0/125663	614.9	26.00
2814F4	88.900	44.45	36.50	22.35	108.30	57.15	12.70	471.0/105881	507.6	23.30
DHE238R	88.900	44.45	38.10	22.12	112.80	57.15	12.70	445.0/100036	490.0	24.67
RO1644F2	95.250	44.45	38.10	23.88	119.00	60.30	14.30	722.0/162306	794.0	28.14
RO1644F1	96.000	44.80	39.00	23.80	119.00	60.00	14.00	530.0/120453	609.0	27.45
*MX604	101.600	25.00	57.00	16.00	117.00	50.00	10.00	227.0/51590	261.0	13.63
*MX704	101.600	30.00	57.00	18.00	125.50	55.00	12.00	280.0/62944	308.0	18.99
DHAPI4P	103.040	44.53	50.80	22.20	125.50	57.15	12.70	500.0/112400	550.0	24.27
DHAPI4PH	103.040	44.53	50.80	25.40	139.70	60.30	16.00	787.4/177000	870.0	30.00
SB1254	103.124	45.21	30.48	23.81	107.95	57.15	12.70	400.0/90908	460.0	22.67
SB1254F1	103.124	45.21	30.48	23.81	108.00	63.50	12.70	400.0/89920	460.0	24.50
3214	103.200	44.45	48.00	22.00	123.50	55.00	13.00	476.0/108180	514.0	23.60
3214F1	103.200	44.45	49.20	23.90	129.00	60.00	14.00	666.4/151450	700.0	26.70
3214F2	103.200	44.45	39.70	19.05	97.60	57.20	9.50	456.0/103635	500.0	17.67

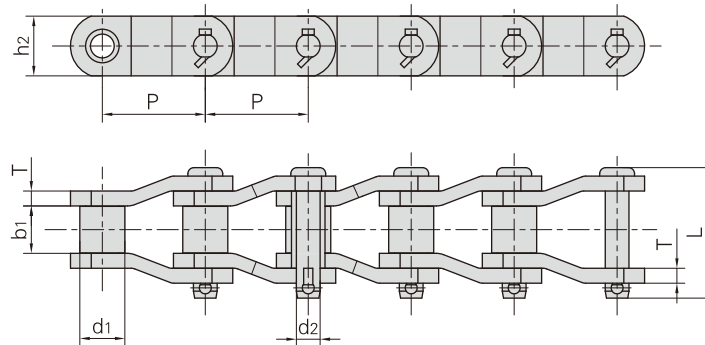
*Buchsenketten: d1 bezeichnet in der Tabelle den Außendurchmesser der Buchse

Rotaryketten, schwere Ausführung



Donghua Ketten Nr.	Teilung	Rollen-durchmesser	Lichte Weite	Bolzen-durchmesser	Bolzen-länge	Laschen-höhe	Laschen-dicke	Bruchkraft	Durchschnittliche Bruchkraft	Gewicht pro Meter
	P	d1 max	b1 min	d2 max	L max	h2	T	Q min	Q0	q
	mm	mm	mm	mm	mm	mm	mm	kN/lbf	kN	kg/m
3214F3	103.200	46.00	49.20	23.90	123.50	60.00	13.0	539.0/122498	619.0	26.16
MXS1242	103.200	44.45	49.20	22.23	124.50	57.00	12.8	566.4/127327	623.0	24.63
MXS1242F1	103.200	44.45	55.00	22.23	128.80	57.00	12.8	623.0/141589	716.0	24.16
SS124	103.200	44.45	49.20	22.23	127.20	57.00	12.7	560.0/127272	590.0	22.57
3214F5	103.200	44.45	49.00	23.23	137.0	58.70	16.0	686.0/154213	720.3	30.00
3214F6	103.200	44.45	49.20	26.80	130.0	76.20	14.5	750.0/168600	787.5	32.90
DHAPI4PF1	103.200	44.45	50.80	22.23	125.2	57.15	12.7	560.0/125888	616.0	24.37
3315	103.450	45.24	49.30	23.85	130.00	63.50	14.2	550.0/125000	756.2	27.71
3315F1	103.450	45.24	47.60	23.85	134.00	60.00	15.0	650.0/147725	747.0	27.34
3315F2	103.450	50.00	49.30	25.00	142.50	63.50	16.0	620.0/140907	713.0	32.50
SH1245	103.450	45.30	49.60	23.80	130.00	60.00	14.5	722.0/164084	794.0	31.00
SS1245	103.450	45.20	49.60	23.80	129.40	60.00	14.5	550.0/125000	605.0	31.19
SS1245F1	103.450	45.20	49.60	25.60	132.30	60.00	14.5	530.0/120453	609.0	28.53
SS1245F2	103.450	46.20	52.00	23.80	139.20	60.00	16.0	530.0/120453	609.0	31.15
3315F3	103.450	45.24	49.20	23.85	131.0	60.30	14.3	550.0/123640	594.0	27.70
SS1245F3	103.450	45.20	49.60	23.80	130.0	60.00	14.5	722.0/162306	794.0	31.19
SS1245F4	103.450	45.20	49.30	23.80	130.3	60.00	14.5	550.0/123640	594.0	28.40
3217F1	103.880	47.60	49.20	28.05	130.0	84.00	14.0	880.0/197824	950.4	35.60
3618	114.300	57.15	52.30	27.97	138.00	79.20	14.2	760.0/172727	978.6	41.20
3618F1	114.300	57.15	50.80	27.71	134.6	75.00	14.0	850.0/191080	918.0	28.50
SS635H	114.300	57.20	52.40	27.94	137.00	76.20	14.5	760.0/172727	836.0	37.80
SS635HF2	114.300	57.20	52.40	27.94	137.00	76.20	14.5	964.0/219085	1060.4	37.90
SS635HF3	114.300	57.20	52.40	27.94	149.0	76.20	17.5	964.0/216707	1060.0	43.60
SS635HF5	114.300	57.20	52.40	29.00	143.0	76.20	16.0	800.0/179840	864.0	39.80
SS635HF6	114.300	57.15	52.40	27.94	133.4	76.20	14.5	850.0/191080	918.0	38.30
4020	127.000	63.50	69.90	31.78	165.7	88.90	15.7	987.0/224300	1379.0	48.60
4020F1	127.000	63.50	68.30	31.78	168.1	90.00	17.0	1100.0/249997	1265.0	50.60
4020F2	127.000	69.85	68.30	35.05	173.0	95.25	19.0	1100.0/249997	1265.0	59.08
4020F3	127.000	63.50	69.90	34.93	176.0	91.00	19.0	1410.0/320450	1551.0	58.40
4020HF1	127.000	63.50	69.90	34.93	176.0	88.90	19.0	1300.0/295451	1495.0	54.50

Rotaryketten, schwere Ausführung



Donghua Ketten Nr.	Teilung	Rollen-durchmesser	Lichte Weite	Bolzen-durchmesser	Bolzen-länge	Laschen-höhe	Laschen-dicke	Bruchkraft	Durchschnittliche Bruchkraft	Gewicht pro Meter
	P	d1 max	b1 min	d2 max	L max	h2	T	Q min	Q0	q
	mm	mm	mm	mm	mm	mm	mm	kN/lbf	kN	kg/m
4020HF2	127.000	63.50	65.02	34.93	171.0	88.90	19.0	1300.0/295451	1430.0	38.58
4020SHF1	127.000	63.50	69.90	31.78	165.7	88.90	15.7	1333.0/302905	1532.0	48.60
RO1205	127.000	63.50	65.00	31.75	147.6	82.50	14.2	872.0/198177	955.0	42.93
4020F5	127.000	63.50	65.60	34.93	168.6	91.00	19.00	1300.0/292240	1430.0	57.00
4020F6	127.000	63.50	69.90	31.78	158.8	88.90	15.70	1220.0/274256	1342.0	50.90
4020HF4	127.000	63.50	62.00	35.00	166.6	88.90	19.00	1250.0/281000	1375.0	57.45
4020SHF2	127.000	63.50	69.90	32.00	164.3	90.00	16.00	1330.0/298984	1463.0	52.10
DH1605F1	127.000	63.50	65.10	35.00	169.5	88.90	19.05	860.0/193328	946.0	55.80
4424F1	139.700	76.20	76.30	38.05	188.0	101.60	19.00	1680.0/377664	1764.0	70.26
DH5500A	139.700	76.35	76.30	38.05	188.0	101.60	19.00	1400.0/314720	1540.0	68.12
P140F3	140.000	65.00	80.00	36.00	191.0	90.00	20.00	1176.0/264365	1293.6	64.24
2184	152.400	76.20	35.00	22.20	96.0	51.00	9.5	330.0/75000	378.0	18.17
4824	152.400	76.20	74.60	38.10	186.0	100.00	20.0	1600.0/363632	1868.3	69.80
6060	152.400	88.90	101.00	47.63	228.7	114.30	22.0	1700.0/386359	1955.0	97.59
DH6042F1	152.400	76.35	76.30	38.05	188.0	101.60	19.0	1400.0/318178	1610.0	58.36
RO6042F1	152.400	76.20	76.30	44.00	184.0	120.00	19.0	1500.0/340900	1600.0	63.60
4824F1	152.400	76.20	76.20	38.10	187.6	100.00	20.00	1600.0/359680	1700.0	69.90
6060F3	152.400	88.90	77.00	47.63	204.7	114.30	22.00	1350.0/303480	1485.0	89.77
DH6042F2	152.400	76.20	76.20	38.05	188.0	101.60	19.05	1880.0/422624	2068.0	57.80
DH6042F3	152.400	76.20	76.30	38.10	182.3	101.60	19.00	1646.0/370021	1728.3	68.12
DH6042F4	152.400	76.20	76.20	38.10	179.4	120.00	19.05	1500.0/337200	1600.0	78.10
DH6042F5	152.400	76.20	76.20	41.00	195.2	106.00	23.00	1500.0/337200	1600.0	77.08
DH6042F6	152.400	76.35	76.20	38.05	186.0	101.60	19.00	1333.0/300000	1466.3	59.40
P153	153.619	34.93	53.98	17.48	107.0	44.50	9.5	150.0/34090	165.0	10.90
#P153F1	153.619	34.93	53.98	17.48	100.0	44.50	8.0	150.0/34090	165.0	9.74
#P153F2	153.619	34.93	53.98	17.48	100.0	44.50	8.0	150.0/34090	165.0	9.80
5628	177.800	88.90	82.60	44.45	210.0	133.00	22.0	1890.0/429540	2173.0	99.50
5628F1	177.800	88.90	82.60	44.45	210.0	127.00	22.0	2224.0/505448	2557.0	96.80
5628F4	177.800	89.00	81.00	47.00	225.0	129.50	24.75	2444.8/550000	2640.0	104.00

#Gekennzeichnet mit einem Loch im Laschenzentrum