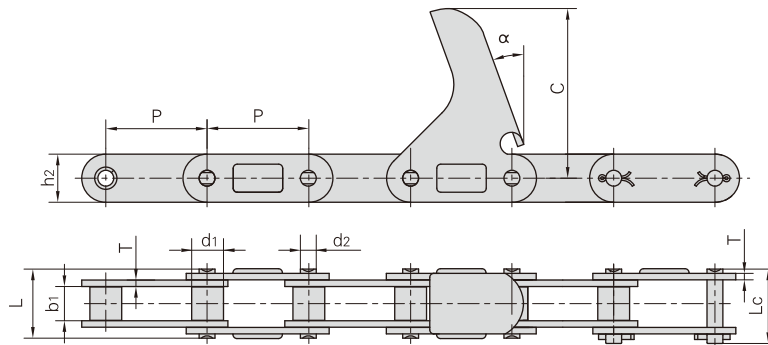
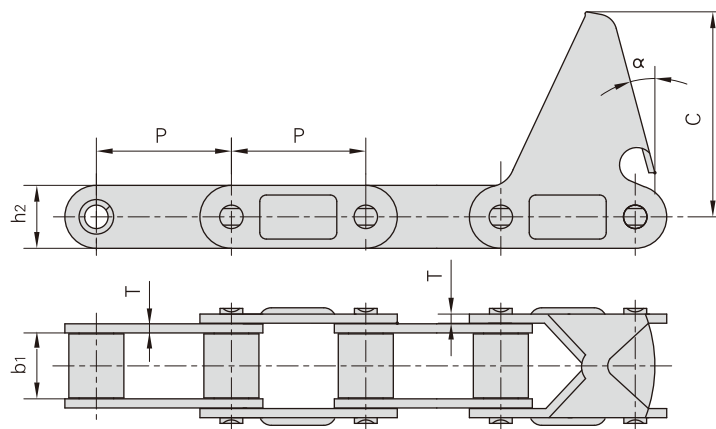


Anbauteile für Landmaschinenketten Form C/CA

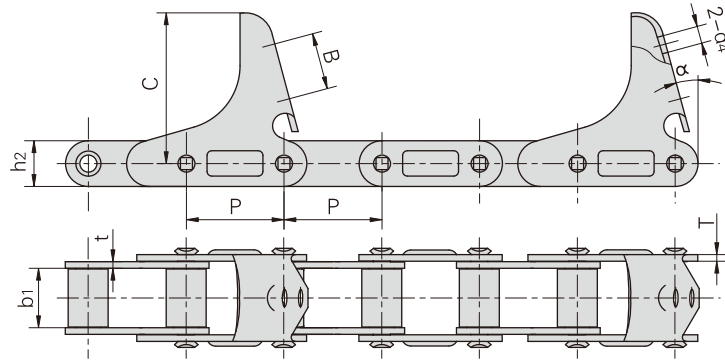


Donghua Ketten Nr.	Teilung	Rollen-durchmesser	Lichte Weite	Bolzen-durchmesser	Bolzenlänge		Laschendimensionen				Bruchkraft	Gewicht pro Meter
	P	d1 max	b1 min	d2 max	L max	Lc max	h2 max	T	C	α	Q min	q
	mm	mm	mm	mm	mm	mm	mm	mm	mm		kN/lbf	kg/m
CA2060-C6E	38.1	11.91	12.57	5.94	25.9	28.3	18.0	2.42	63.5	20.0°	31.1/6996	1.40
CA2060H-C6E	38.1	11.91	12.57	5.94	31.0	31.6	18.0	3.25	63.5	22.5°	31.1/6996	1.78
38.4VBF2-C6EF1	38.4	15.88	19.05	8.28	36.1	-	20.5	3.00	54.8	22.0°	50.0/11241	2.37
CA550V-C6EF1	41.4	16.80	19.05	8.28	36.1	39.1	22.0	3.00	50.5	15.0°	55.0/12364	2.65
CA550-LV41NF1	41.4	16.87	19.81	7.19	35.0	38.0	19.3	2.80	68.5	20.0°	39.1/8790	1.79
CA550HF10-LV41N	41.4	16.66	19.40	7.19	35.8	-	19.3	3.10	68.5	20.0°	39.1/8790	2.29
CA550HF8-LV41N	41.4	16.66	19.40	7.19	35.8	-	19.3	3.10	68.5	20.0°	39.1/8790	2.29

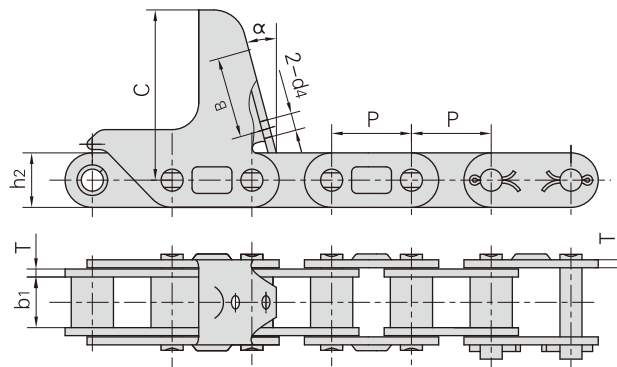


Donghua Ketten Nr.	P	b1	h2	T	C	α
	mm	mm	mm	mm	mm	
CA550-C6E	41.40	19.81	19.30	2.80	55.6	-
CA550-C11E	41.40	19.81	19.30	2.80	63.5	-
CA550-C11EJ	41.40	19.81	19.30	2.80	66.0	-
CA550-C13E	41.40	19.81	19.30	2.80	92.0	-
CA550F4-C6E	41.40	20.24	19.05	2.80	55.6	22.5°
CA550-C6EF1	41.40	19.81	19.30	2.80	50.0	-
CA620-C13E	42.01	24.51	20.20	3.25	92.0	-

Anbauteile für Landmaschinenketten Form C/CA

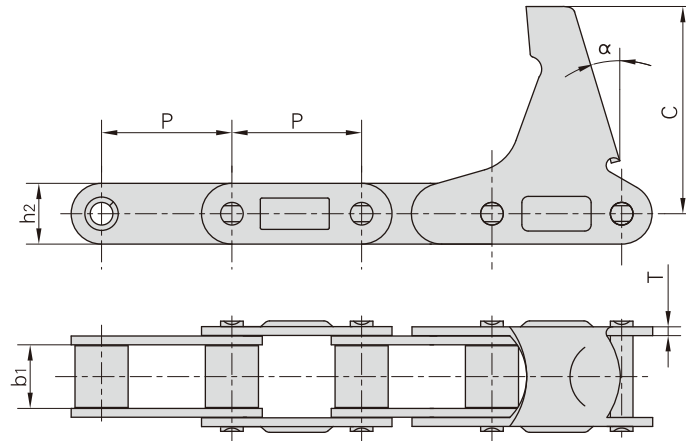


Donghua Ketten Nr.	P	b ₁	h ₂	t/T	C	B	d ₄	α
	mm	mm	mm	mm	mm	mm	mm	
CA620F5-C6EJ	40.25	24.51	20.20	3.25/3.10	66.00	24.00	6.00	15°
CA555-C6E	41.40	12.70	19.30	3.10	63.50	-	-	15°
CA555-C6EJ	41.40	12.70	19.30	3.25	66.00	25.40	7.30	15°
CA555-C6EJF1	41.40	12.70	19.30	3.10	66.00	25.40	5.50	15°
CA555-C6EJF2	41.40	12.70	19.30	3.10	60.50	19.00	7.00	15°
CA555F3-C6EJ	41.40	12.70	19.30	3.15	66.00	25.40	7.30	15°
CA620F3-C6EJ	42.01	24.51	20.20	3.25/3.10	66.00	24.00	6.00	15°
CA620F7-C6EJ	42.01	25.00	20.20	3.10	66.00	24.00	6.00	15°

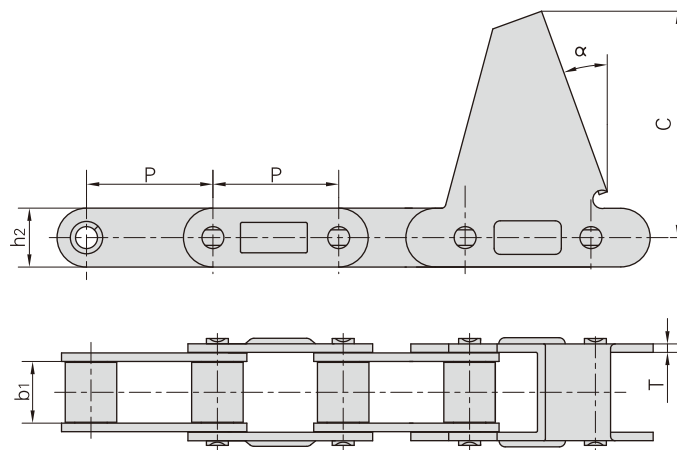


Donghua Ketten Nr.	P	b ₁	h ₂	B	d ₄	T	C	α
	mm	mm	mm	mm	mm	mm	mm	
CA627-M40A	30.0	19.05	20.5	36.1	6.5	3.0	63.0	15.0°
CA627-CPEF6	30.0	19.05	20.5	30.0	6.0	3.0	63.3	22.5°
CA627-CPEF7	30.0	19.05	20.5	35.5	6.5	3.0	63.0	15.0°
CA627-CPEF10	30.0	19.05	20.5	30.0	6.0	3.0	63.3	22.5°
CA627-CPEF11	30.0	19.05	20.5	30.0	6.5	3.0	63.0	22.5°
CA627-CPEF14	30.0	19.05	20.5	25.5	6.5	3.0	63.0	15.0°
CA627-CPEF15	30.0	19.05	20.5	30.0	6.5	3.0	63.0	7.0°
CA627-CPEF17	30.0	19.05	20.5	30.0	6.0	3.0	64.0	22.5°
CA2060H-C6EF4	38.1	12.57	18.0	-	-	3.3	63.5	22.5°
CA550-CPEF9	41.4	19.81	19.3	-	-	2.8	63.0	21.0°

Anbauteile für Landmaschinenketten Form C/CA

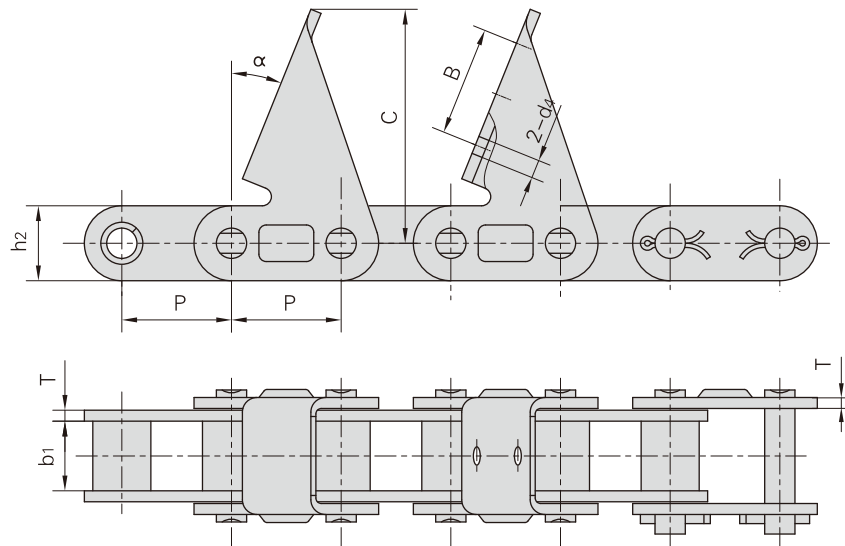


Donghua Ketten Nr.	P	b1	h2	T	C	α
	mm	mm	mm	mm	mm	
CA550-LV41N	41.4	19.81	19.3	2.8	65.8	15°
CA550-LV41NF1	41.4	19.81	19.3	2.8	68.5	20°
CA550-CPEF3	41.4	19.81	19.3	2.8	72.0	15°
CA550-CPEF6	41.4	19.81	19.3	3.0	54.8	15°

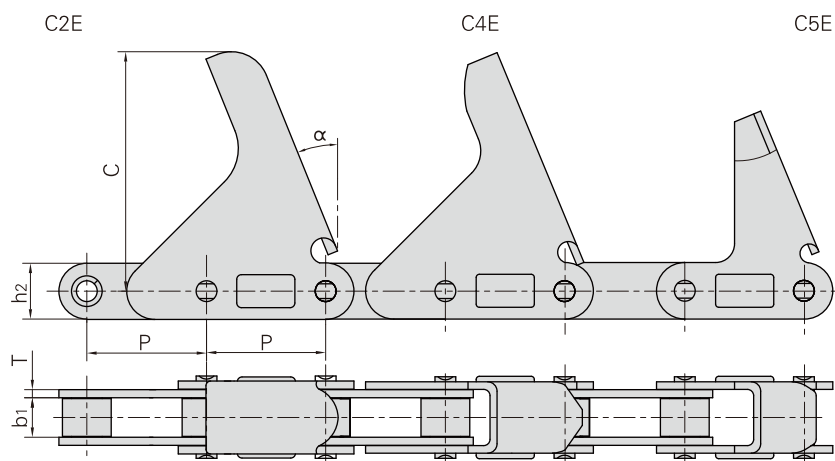


Donghua Ketten Nr.	P	b1	h2	T	C	α
	mm	mm	mm	mm	mm	
38.4VBF12	38.4	19.05	20.5	3.0	62.5	22.5°
38.4VBF14	38.4	19.05	20.5	3.0	65.0	22.0°
CA550-CPE	41.4	19.81	19.3	2.8	74.5	20.0°

Anbauteile für Landmaschinenketten Form C/CA

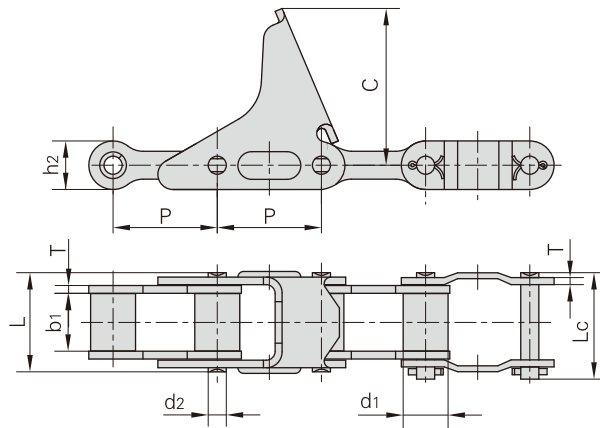


Donghua Ketten Nr.	P	b1	h2	B	d4	T	C	α
	mm	mm	mm	mm	mm	mm	mm	
CA627-CPE	30.0	19.05	20.5	-	-	3.0	64.0	22.0°
CA627-CPEF3	30.0	19.05	20.5	30.0	5.0	3.0	64.0	22.0°
CA2060HF2-CPEF1	38.1	12.70	19.3	30.0	8.3	3.1/2.8	60.0	22.5°

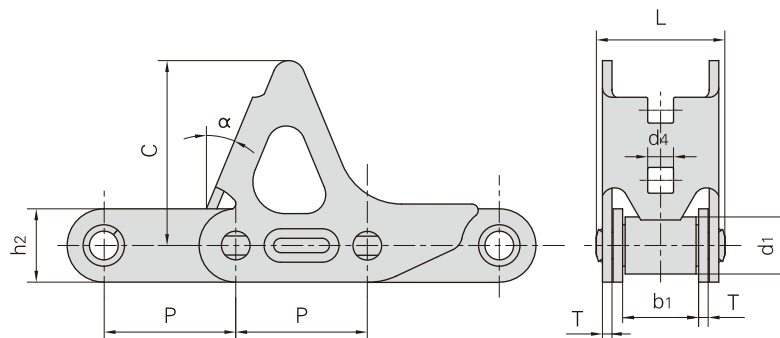


Donghua Ketten Nr.	P	b1	h2	T	C	α
	mm	mm	mm	mm	mm	
CA2060H-C2E	38.1	12.57	18.0	3.25	76.2	22.5°
CA2060H-C4E	38.1	12.57	18.0	3.25	75.8	22.5°
CA2060H-C5E	38.1	12.57	18.0	3.25	57.2	22.5°

Anbauteile für Landmaschinenketten Form C/CA

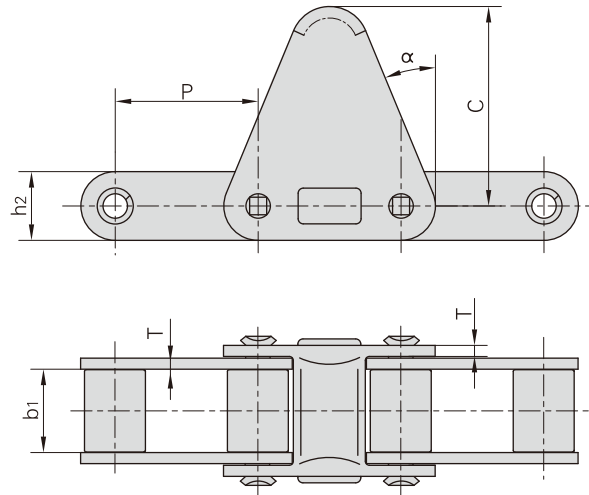


Donghua Ketten Nr.	Teilung	Rollen-durchmesser	Lichte Weite	Bolzen-durchmesser	Bolzenlänge		Winkelabmessungen			Bruchkraft	Gewicht pro Meter
	P	d1 max	b1 min	d2 max	L max	Lc max	h2 max	T max	C max	Q min	q
	mm	mm	mm	mm	mm	mm	mm	mm	mm	kN/lbf	kg/m
CA555F1	41.4	17.85	23.0	8.2	39.5	42.4	20.0	3.0	84.0	39.1/8795	2.99
CA555F2	41.4	17.85	23.0	8.2	39.5	42.4	20.0	3.0	62.5	39.1/8795	2.82

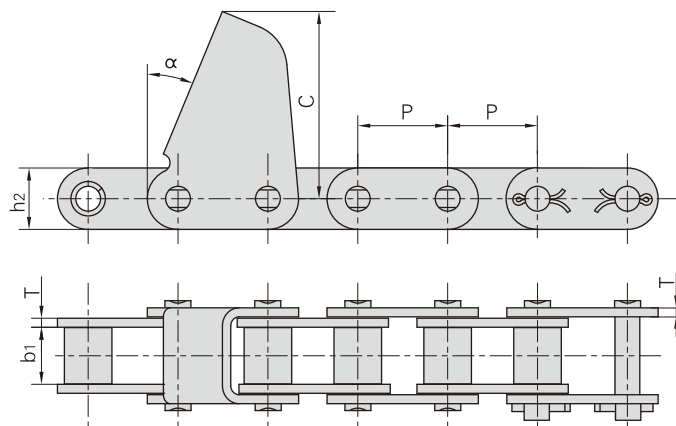


Donghua Ketten Nr.	Teilung	Rollen-durchmesser	Lichte Weite	Bolzen-länge	Laschendimensionen					Bruchkraft	Gewicht pro Meter
	P	d1 max	b1 min	L max	h2 max	T	C	d4	α	Q min	q
	mm	mm	mm	mm	mm	mm	mm	mm		kN/lbf	kg/m
55VDF1-CPEF	41.4	17.90	22.50	39.7	23.0	3.0	58.0	8.1	22.5°	50/11248	3.68
55VF6-CPEF	41.4	15.88	22.23	41.6	22.0	4.0/3.0	51.5	-	28.0°	45/10117	3.35

Anbauteile für Landmaschinenketten Form C/CA

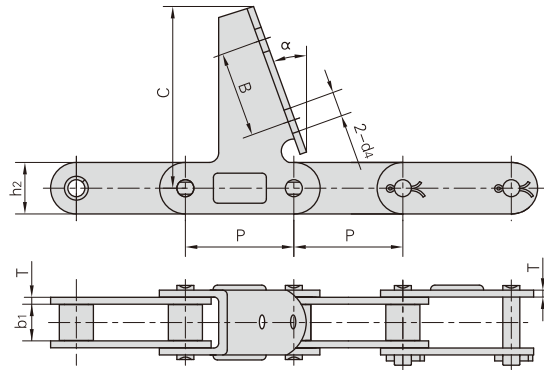


Donghua Ketten Nr.	P	b ₁	h ₂	T	C	α
	mm	mm	mm	mm	mm	
CA620-C30E	42.01	24.51	20.2	3.25	58.7	22.5°

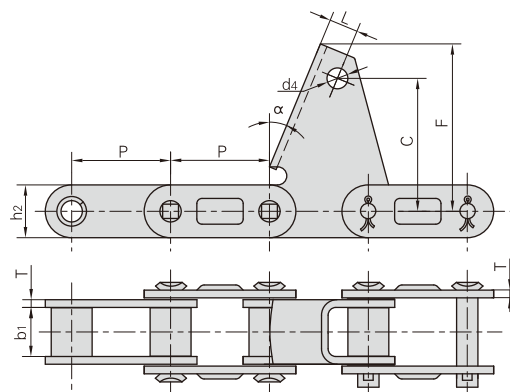


Donghua Ketten Nr.	P	b ₁	h ₂	T	C	α
	mm	mm	mm	mm	mm	
CA627-CPEF1	30.0	19.05	20.5	3.0	62.5	22.5°
CA627-CPEF2	30.0	19.60	20.5	3.0	62.5	22.5°
CA627-CPEF4	30.0	19.05	20.5	3.0	62.5	22.5°
CA627-CPEF9	30.0	19.05	20.5	3.0	69.0	22°
CA550-CPEF2	41.4	19.81	19.3	2.8	63.5	15°

Anbauteile für Landmaschinenketten Form C/CA

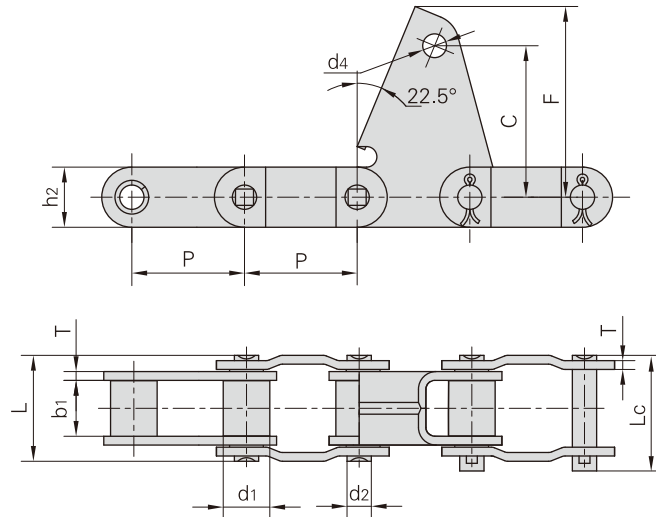


Donghua Ketten Nr.	P	b1	h2	d4	T	B	C	α
	mm	mm	mm	mm	mm	mm	mm	
CA627-CPEF5	30.0	19.05	20.5	6.30 × 6.30	3.00	30.0	62.5	22.5°
CA627-CPEF13	30.0	19.05	20.5	6.60 × 6.60	3.00	30.0	63.5	22.5°
CA627-CPEF16	30.0	19.60	20.5	6.50	3.00	30.0	62.5	22.5°
CA627-CPEF18	30.0	19.05	20.5	6.50	3.00	30.0	62.5	22.5°
CA2060H-7AUE	38.1	12.57	18.0	8.50	3.25	30.0	57.2	22.5°
CA2060H-CPEF2	38.1	12.57	18.0	-	3.25	-	57.0	22.0°
CA2060H-CPEF3	38.1	12.57	18.0	6.75	3.25	25.4	57.0	22.0°
CA414-CPEF1	41.4	15.88	20.1	-	3.00	-	66.0	20.0°
CA550-CPEF1	41.4	19.81	19.3	-	2.80	-	63.5	15.0°
CA550-CPEF4	41.4	19.81	19.3	-	2.80	-	75.8	20.0°
CA550-CPEF5	41.4	19.81	19.3	-	2.80	-	60.0	10.0°

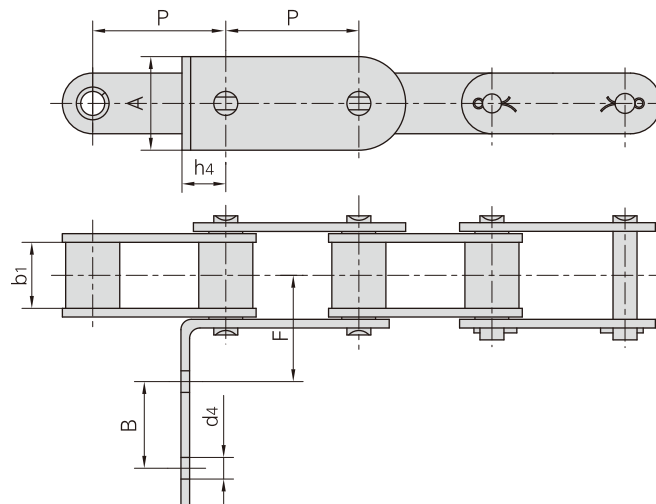


Donghua Ketten Nr.	P	b1	h2	L	d4	T	C	F	α
	mm	mm	mm	mm	mm	mm	mm	mm	
38.4VBF4	38.4	19.05	20.5	15.0	8.1	3.0	48.0	64.0	22°

Anbauteile für Landmaschinenketten Form C/CA



Donghua Ketten Nr.	Teilung	Rollendurchmesser	Lichte Weite	Bolzendurchmesser	Bolzenlänge		Laschendimensionen					Bruchkraft	Gewicht pro Meter
	P	d1 max	b1 min	d2 max	L max	Lc max	h2 max	T max	C	F	d4	Q min	q
	mm	mm	mm	mm	mm	mm	mm	mm	mm	mm	mm	kN/lbf	kg/m
38.4VBF2	38.4	15.88	19.05	8.28	36.1	39.1	20.5	3.0	51.6	65	8.1	50/11247	2.33



Donghua Ketten Nr.	P	b1	A	B	F	h4	d4
	mm	mm	mm	mm	mm	mm	mm
38.4RF2	38.4	19.05	27.0	25	31.3	12.7	6.8
CA550F21	41.4	19.81	19.3	-	41.7	12.5	7.0